

Low-Profile Single Point



FEATURES

- Capacities: 0.6 to 200kg
- Small size with low profile
- Anodized aluminum
- NTEP Class III 5000S approval from 3kg to 30kg
- OIML C3 approval
- Platform size: 16"x16"/ 40cm x 40cm

OPTIONAL FEATURE

- FM approval available

DESCRIPTION

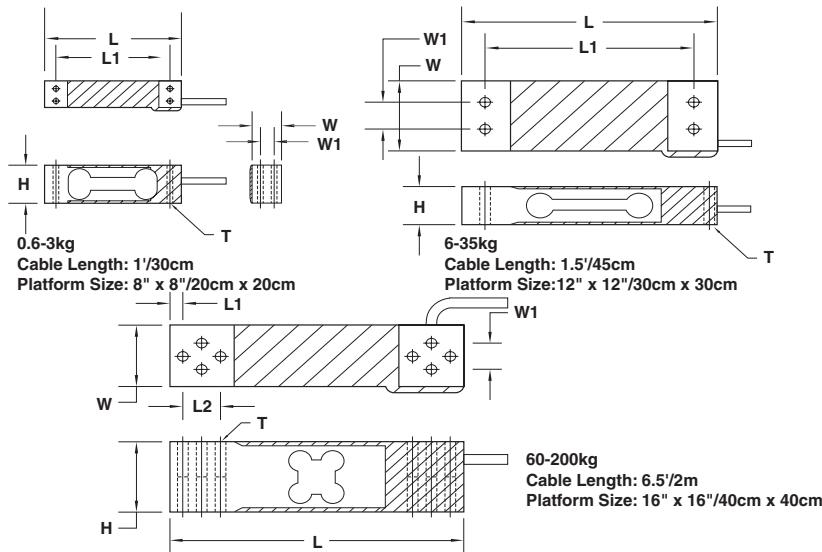
LPS is designed for electronic scales and platform scales where only one load cell can be used and low profile is required. It is the lightest model of Celtron single point load cell family. The design is most suitable for mass production operations.

LPS is constructed of anodized aluminum and is fully potted IP66 levels, providing excellent protection against moisture ingress-ion.

APPLICATIONS

- Packaging machines
- Dosing / filling
- Belt scales / conveyor scales
- In-motion check weigher
- Retail scales / counting scales

OUTLINE DIMENSIONS



Wiring diagram

- + Excitation Red
- Excitation Black
- + Signal Green
- Signal White

| CAPACITY (kg) | | L | L1 | L2 | W | W1 | H | T |
|---------------|--------|-------|-------|------|------|------|------|----------|
| 0.6/ 1/ 2/ 3 | mm | 70.0 | 58.0 | --- | 15.0 | 7.0 | 22.0 | M3 x 0.5 |
| | (inch) | 2.76 | 2.28 | --- | 0.59 | 0.28 | 0.87 | |
| 6/ 10/ 15/ 20 | mm | 130.0 | 106.0 | --- | 30.0 | 15.0 | 22.0 | M6 x 1.0 |
| | (inch) | 5.12 | 4.17 | --- | 1.18 | 0.59 | 0.87 | |
| 30/ 35 | mm | 130.0 | 106.0 | --- | 40.0 | 15.0 | 22.0 | M6 x 1.0 |
| | (inch) | 5.12 | 4.17 | --- | 1.57 | 0.59 | 0.87 | |
| 60/ 100/ 200 | mm | 150.0 | 7.0 | 19.0 | 35.0 | 15.0 | 40.0 | M6 x 1.0 |
| | (inch) | 5.91 | 0.28 | 0.75 | 1.38 | 0.59 | 1.57 | |

**SPECIFICATIONS**

| PARAMETER | VALUE | | | UNIT |
|---|---|--------------|--------|-----------------------|
| | NTEP III | Non-Approved | C3 | |
| NTEP/OIML Accuracy class | | | | |
| Maximum no. of intervals (n) | 5000 single* | 1000 | 3000** | |
| $Y = E_{\max}/V_{\min}$ | 8000 | 5000 | 8000 | Maximum available |
| Standard capacities (E_{\max}) | 0.6, 1, 2, 3, 6, 10, 15, 20, 30, 35, 60, 100, 200 | | | kg |
| Rated output-R.O. | 2.0 | | | mV/V |
| Rated output tolerance | 10 | | | ±% of rated output |
| Zero balance | 1 | | | ±% of rated output |
| Non linearity | 0.020 | 0.025 | 0.015 | ±% of rated output |
| Hysteresis | 0.020 | 0.025 | 0.015 | ±% of rated output |
| Non-repeatability | 0.020 | | | ±% of rated output |
| Creep error (20 minutes) | 0.025 | 0.030 | 0.020 | ±% of rated output |
| Zero return (20 minutes) | 0.025 | 0.030 | 0.020 | ±% of rated output |
| Temperature effect on min. dead load output | 0.0017 | 0.0026 | 0.015 | ±% of rated output/°C |
| Temperature effect on sensitivity | 0.0010 | 0.0015 | 0.008 | ±% of applied load/°C |
| Compensated temperature range | -10 to +40 | | | °C |
| Operating temperature range | -20 to +60 | | | °C |
| Safe overload | 150 | | | % of R.C. |
| Ultimate overload | 200 | | | % of R.C. |
| Excitation, recommended | 10 | | | Vdc or Vac rms |
| Excitation, maximum | 15 | | | Vdc or Vac rms |
| Input impedance | 410±10 | | | Ohms |
| Output impedance | 350±3 | | | Ohms |
| Insulation resistance | >5000 | | | Mega-Ohms |
| Construction | Anodized aluminum | | | |
| Environmental protection | IP66 | | | |

* Capacities 3-30kg

** Capacities 6-35kg

All specifications listed subject to change without notice.

FM Approval

Intrinsically Safe: Class I, II, III; Div. 1 Groups A-G

Non-Incendive: Class I; Div. 2 Groups A-D

VISHAY TRANSDUCERS (VT) SALES OFFICES

VT Americas
City of Industry, CA
PH: +1-626-858-8899
FAX: +1-626-332-3418
vt.us@vishaymg.com

VT Netherlands
Breda
PH: +31-76-548-0700
FAX: +31-76-541-2854
vt.nl@vishaymg.com

VMG UK
Basingstoke
PH: +44-125-646-2131
FAX: +44-125-647-1441
vt.uk@vishaymg.com

VMG Israel
Netanya
PH: +972-9-863-8888
FAX: +972-9-863-8800
vt.il@vishaymg.com

VMG Germany
Heilbronn
PH: +49-7131-3901-260
FAX: +49-7131-3901-2666
vt.de@vishaymg.com

VT China
Tianjin
PH: +86-22-2835-3503
FAX: +86-22-2835-7261
vt.prc@vishaymg.com

VMG France
Chartres
PH: +33-2-37-33-31-20
FAX: +33-2-37-33-31-29
vt.fr@vishaymg.com

VT Taiwan*
Taipei
PH: +886-2-2696-0168
FAX: +886-2-2696-4965
vt.roc@vishaymg.com
*Asia except China