

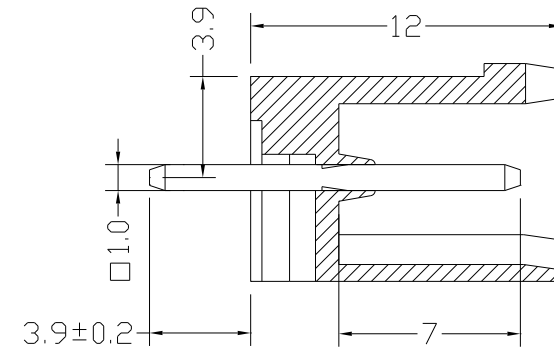
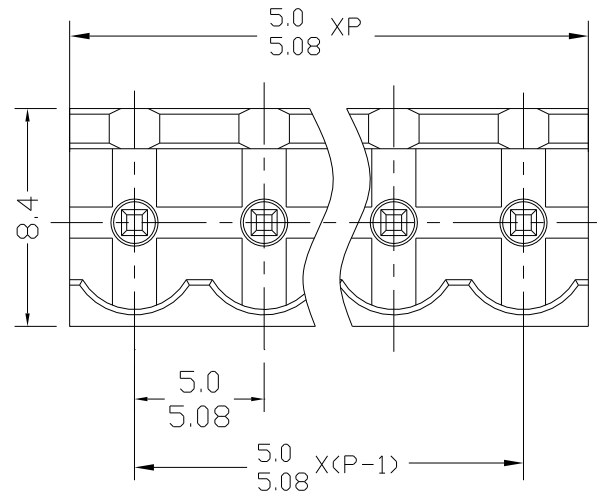
# 300V 12A

Poles 2P/3P/4P/5P/6P/7P  
 8P/9P/10P/11P/12P/  
 13P/14P/15P/16P/17P  
 18P/19P/20P/21P/22P  
 23P/24P

Pitch: 5.0mm 5.08mm  
 Pin Dimension 1.0X1.0mm

## Materials

Housing: Polyamide 6.6, Green  
 Solder Pin: Brass, 1.0t, Tin Plated.



设计/Designed by	绘图/Drawing by	审核/Checked by	批准/Approved by	未注公差 General Tolerance	
 新亚联合科技 XINYA UNITED TECH CO.,LTD.		图名/Title	文件编号/File No.	x. ±0.2	x." ±2°
		XY2500V-A XY2500V-C		.x ±0.1	.x" ±1°
		产品图	页序/Sheet	.xx ±0.05	.xx" ±0.5°
备注/Remark				.xxx ±0.01	
				单位/Units: mm	