

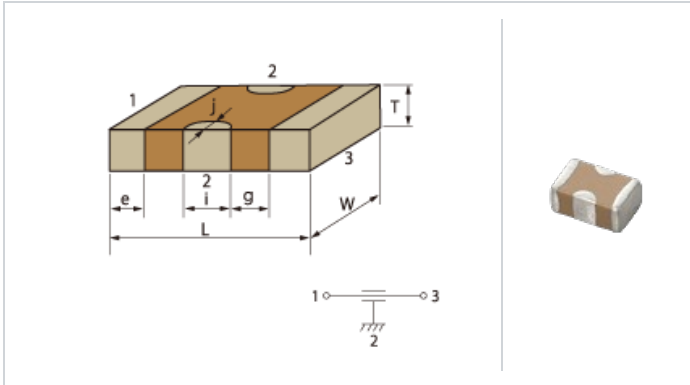
# NFM3DPC223R1H3#

# indicates a package specification code.



< List of part numbers with package codes >  
NFM3DPC223R1H3L

## Shape



L size	3.2 ±0.2mm
W size	1.25 ±0.2mm
T size	0.7 ±0.2mm
External terminal width e	0.3±0.2mm
External terminal size i	1.1±0.3mm
External terminal size j	0.25±0.2mm
Distance between external terminals g	0.4mm min.
Size code in inch(mm)	1205 (3212M)

## Notes

Derating3

## References

Packaging	Specifications	Minimum quantity
L	φ180mm Embossed taping	4000

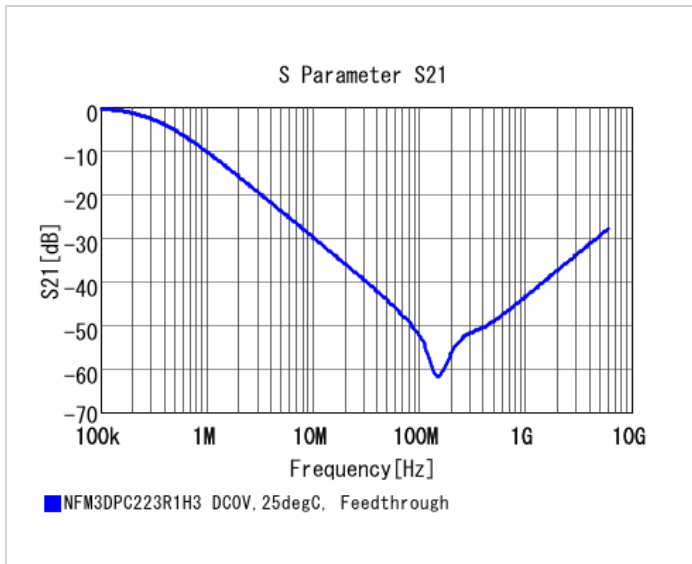
Mass (typ.)	
1 piece	18.0mg
φ180mm Reel	129g

## Specifications

Capacitance	22000pF ±20%
Rated voltage	50Vdc
Operating temperature range	-55 to 125°C
Rated Current	2A at 85°C/0.5A at 125°C
DC Resistance(max.)	50mΩ

### Attention

- 1.This datasheet is downloaded from the website of Murata Manufacturing Co., Ltd. Therefore, it's specifications are subject to change or our products in it may be discontinued without advance notice. Please check with our sales representatives or product engineers before ordering.
- 2.This datasheet has only typical specifications because there is no space for detailed specifications. Therefore, please review our product specifications or consult the approval sheet for product specifications before ordering.



**⚠ Attention**

- 1.This datasheet is downloaded from the website of Murata Manufacturing Co., Ltd. Therefore, it's specifications are subject to change or our products in it may be discontinued without advance notice. Please check with our sales representatives or product engineers before ordering.
  - 2.This datasheet has only typical specifications because there is no space for detailed specifications.
- Therefore, please review our product specifications or consult the approval sheet for product specifications before ordering.