

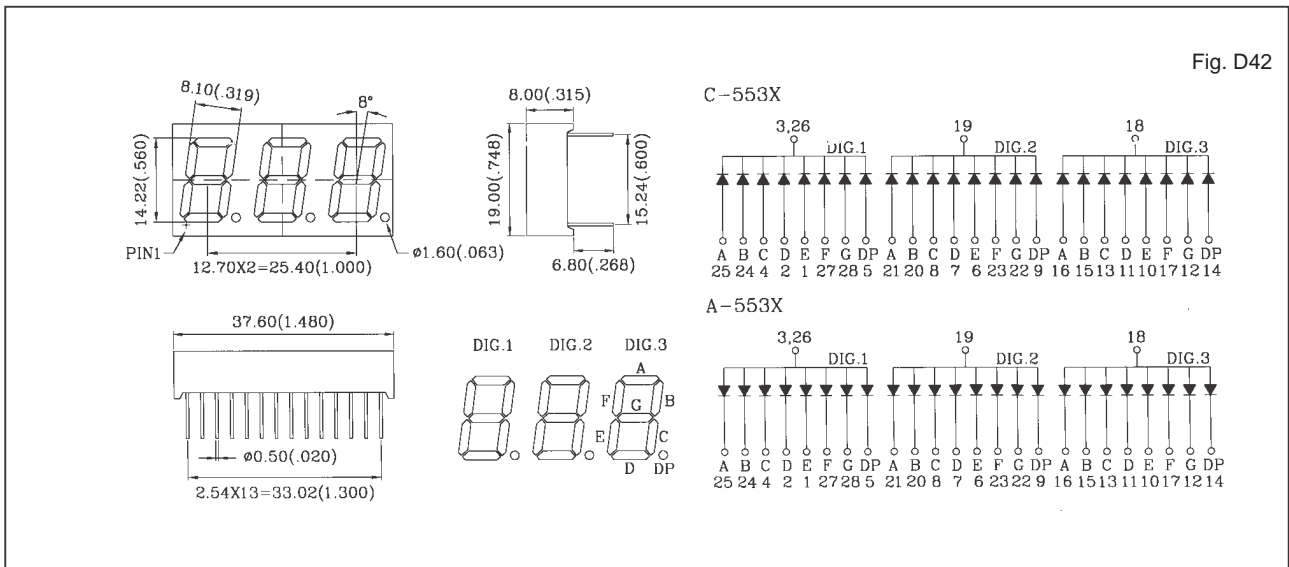
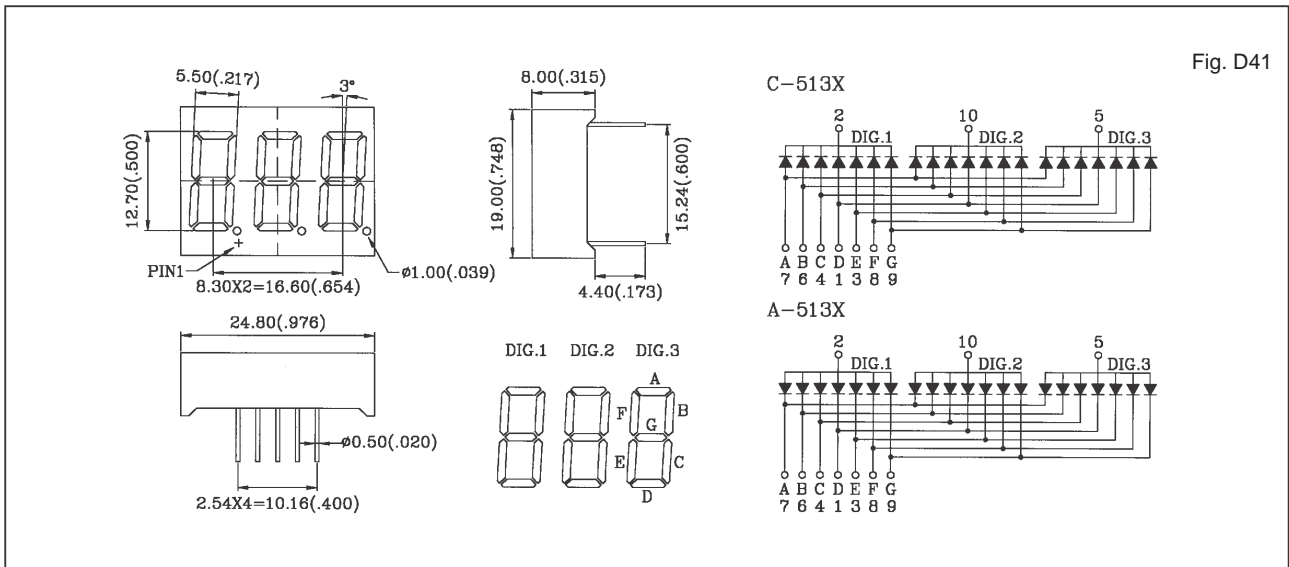


**C/A-513X, C/A-553X THREE DIGITS DISPLAY**

Shape	Part No.		Chip		Wave Length $\lambda_p$ (nm)	Electro-Optical Characteristics			Fig.No.
	Common Cathode	Common Anode	Raw Material	Emitted Color		Vf(V)20mA		Iv(ucd)10mA	
						Typ.	Max.	Typ.	
	C-513H	A-513H	GaP	Red	700	2.3	2.8	650	D41
	C-513E	A-513E	GaAsP/GaP	Hi.effi Red	635	2.1	2.8	2000	
	C-513G	A-513G	GaP	Green	565	2.2	2.8	2000	
	C-513Y	A-513Y	GaAsP/GaP	Yellow	585	2.1	2.8	1600	
	C-513SR	A-513SR	GaAlAs	Super Red	660	1.8	2.2	21000	
	C-553H	A-553H	GaP	Red	700	2.3	2.8	650	D42
	C-553E	A-553E	GaAsP/GaP	Hi.effi Red	635	2.1	2.8	2000	
	C-553G	A-553G	GaP	Green	565	2.1	2.8	2000	
	C-553Y	A-553Y	GaAsP/GaP	Yellow	585	2.1	2.8	1600	
	C-553SR	A-553SR	GaAlAs	Super Red	660	1.8	2.2	21000	



- 1.All dimension are in millimeters (inches).
- 2.Tolerance is  $\pm 0.25$  mm (0.01") unless otherwise specified.