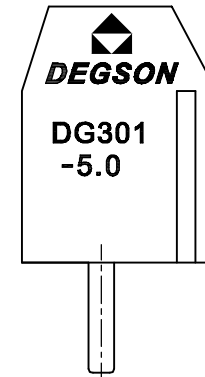
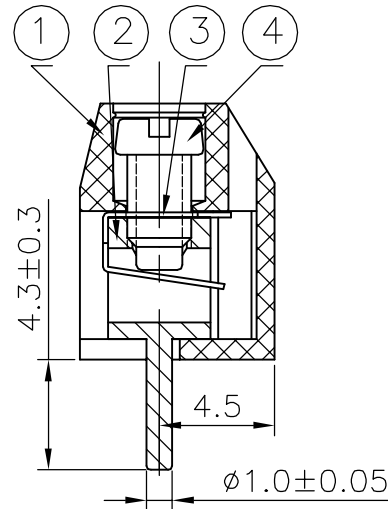
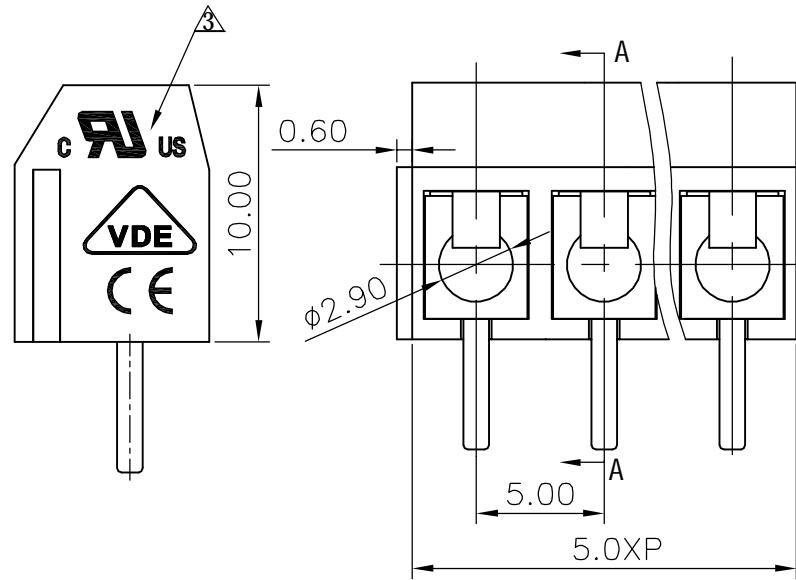
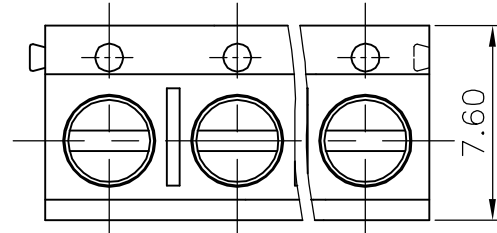


REVISION RECORD				
REV	ECO	DESCRIPTION	DRFT	DATE
△		Drawi ng Revi se	Haoyh	03/14/06
△		修改刻字	CSX	12/28/06
△		品名、料号增加环保标示“(H)”	CSX	12/10/07

Notes:

1. pitch: 5.0mm
2. Rated vol tage/current: UL 300V/15A
VDE 250V/17.5A
3. Insulation resistance: 5000MΩ/1000V
4. Wi thstanding vol tage: AC2000V/1Mi n
5. Wire range: 22-14AWG 1.5mm²
6. Temp. Range: -30° C ~ +120° C
7. Torque: 4.08kgf. cm
8. Undi mensioned Tol erances:



SECTION A-A

4	DG301-Screws	S000001420(H)	XX	Steel	Cr ³⁺ Zn
3	DG301-Spring	X000000250(H)	XX	Stai nless steel	
2	DG301(A)-pi n header	4004B00010(H)	XX	Brass	SnCe

ITEM	NAME OF PART	NO. OF PART	Q'TY	MATERIAL	NOTES																								
1	DG301-5.0 Housi ng	4004A0YXXA(H)	1	PBT	UL94V-0																								
<table border="1"> <tr> <td>← MM (INCH) →</td> <td>DFTO huangwei</td> <td>DATE 01/05/05*</td> </tr> <tr> <td>TOLERANCES EXCEPT AS NOTED</td> <td>CHKD</td> <td>DATE</td> </tr> <tr> <td></td> <td>MFO</td> <td>DATE</td> </tr> <tr> <td></td> <td>APPVL</td> <td>DATE</td> </tr> <tr> <td></td> <td>MATERIAL :</td> <td></td> </tr> <tr> <td></td> <td>G.E :</td> <td></td> </tr> <tr> <td></td> <td>FINISH :</td> <td></td> </tr> <tr> <td></td> <td>SCALE : 1:1</td> <td></td> </tr> </table>		← MM (INCH) →	DFTO huangwei	DATE 01/05/05*	TOLERANCES EXCEPT AS NOTED	CHKD	DATE		MFO	DATE		APPVL	DATE		MATERIAL :			G.E :			FINISH :			SCALE : 1:1		宁波高正电子有限公司 DEGSON ELECTRONICS CO., LTD		NAME DG301-5.0-XXP-1Y-00A(H)	
← MM (INCH) →	DFTO huangwei	DATE 01/05/05*																											
TOLERANCES EXCEPT AS NOTED	CHKD	DATE																											
	MFO	DATE																											
	APPVL	DATE																											
	MATERIAL :																												
	G.E :																												
	FINISH :																												
	SCALE : 1:1																												
DRAWING NO. DG301-5.0-E01			SIZE	REV																									
/PART NO.			A3	T4	12/10/07																								
DO NOT SCALE DRAWING				SHEET 1	OF 1																								