

## LM117, LM317-N Wide Temperature Three-Pin Adjustable Regulator

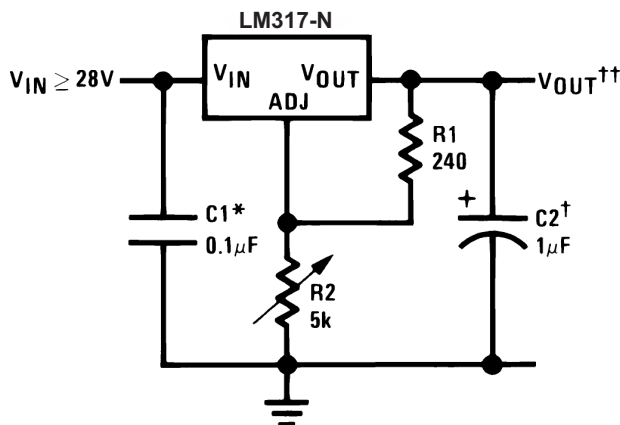
### 1 Features

- Typ. 0.1% Load Regulation
- Typ. 0.01%/V Line Regulation
- 1.5-A Output Current
- Adjustable Output Down to 1.25 V
- Current Limit Constant With Temperature
- 80-dB Ripple Rejection
- Short-Circuit Protected Output
- -55°C to 150°C Operating Temperature Range (LM117)

### 2 Applications

- Automotive LED Lighting
- Battery Chargers
- Post Regulation for Switching Supplies
- Constant Current Regulators
- Microprocessor Supplies

#### Typical Application



\*Needed if device is more than 6 inches from filter capacitors.

†Optional—improves transient response

$$\ddagger V_{OUT} = 1.25 V \left( 1 + \frac{R_2}{R_1} \right) + I_{ADJ} (R_2)$$

### 3 Description

The LM117 and LM317-N series of adjustable 3-pin positive voltage regulators are capable of supplying in excess of 1.5 A over a 1.25-V to 37-V output range and a wide temperature range. They are exceptionally easy to use and require only two external resistors to set the output voltage. Further, both line and load regulation are better than standard fixed regulators.

The LM117 and LM317-N offer full overload protection such as current limit, thermal overload protection and safe area protection. All overload protection circuitry remains fully functional even if the adjustment terminal is disconnected.

Typically, no capacitors are needed unless the device is situated more than 6 inches from the input filter capacitors, in which case an input bypass is needed. An optional output capacitor can be added to improve transient response. The adjustment terminal can be bypassed to achieve very high ripple rejection ratios that are difficult to achieve with standard 3-terminal regulators.

Because the regulator is *floating* and detects only the input-to-output differential voltage, supplies of several hundred volts can be regulated as long as the maximum input-to-output differential is not exceeded. That is, avoid short-circuiting the output.

By connecting a fixed resistor between the adjustment pin and output, the LM117 and LM317-N can be also used as a precision current regulator. Supplies with electronic shutdown can be achieved by clamping the adjustment terminal to ground, which programs the output to 1.25 V where most loads draw little current.

For applications requiring greater output current, see data sheets for LM150 series (3 A), [SNVS772](#), and LM138 series (5 A), [SNVS771](#). For the negative complement, see LM137 ([SNVS778](#)) series data sheet.

#### Device Information<sup>(1)</sup>

PART NUMBER	PACKAGE	BODY SIZE (NOM)
LM117	TO-3 (2)	38.94 mm x 25.40 mm
	TO (3)	8.255 mm x 8.255 mm
LM317-N	TO-3 (2)	38.94 mm x 25.40 mm
	TO-220 (3)	14.986 mm x 10.16 mm
	TO-263 (3)	10.18 mm x 8.41 mm
	SOT-223 (4)	6.50 mm x 3.50 mm
	TO (3)	8.255 mm x 8.255 mm
	TO-252 (3)	6.58 mm x 6.10 mm

(1) For all available packages, see the orderable addendum at the end of the data sheet.



## Table of Contents

<b>1 Features</b> .....	<b>1</b>	8.3 Feature Description.....	<b>13</b>
<b>2 Applications</b> .....	<b>1</b>	8.4 Device Functional Modes.....	<b>13</b>
<b>3 Description</b> .....	<b>1</b>	<b>9 Application and Implementation</b> .....	<b>15</b>
<b>4 Revision History</b> .....	<b>2</b>	9.1 Application Information.....	<b>15</b>
<b>5 Device Comparison Table</b> .....	<b>3</b>	9.2 Typical Applications .....	<b>15</b>
<b>6 Pin Configuration and Functions</b> .....	<b>3</b>	<b>10 Power Supply Recommendations</b> .....	<b>27</b>
<b>7 Specifications</b> .....	<b>5</b>	<b>11 Layout</b> .....	<b>27</b>
7.1 Absolute Maximum Ratings .....	<b>5</b>	11.1 Layout Guidelines .....	<b>27</b>
7.2 ESD Ratings.....	<b>5</b>	11.2 Layout Example .....	<b>27</b>
7.3 Recommended Operating Conditions.....	<b>5</b>	11.3 Thermal Considerations.....	<b>28</b>
7.4 Thermal Information, LM117.....	<b>5</b>	<b>12 Device and Documentation Support</b> .....	<b>35</b>
7.5 Thermal Information, LM317-N.....	<b>6</b>	12.1 Documentation Support .....	<b>35</b>
7.6 LM117 Electrical Characteristics.....	<b>6</b>	12.2 Related Links .....	<b>35</b>
7.7 LM317-N Electrical Characteristics.....	<b>7</b>	12.3 Community Resources.....	<b>35</b>
7.8 Typical Characteristics.....	<b>8</b>	12.4 Trademarks .....	<b>35</b>
<b>8 Detailed Description</b> .....	<b>11</b>	12.5 Electrostatic Discharge Caution.....	<b>35</b>
8.1 Overview .....	<b>11</b>	12.6 Glossary .....	<b>35</b>
8.2 Functional Block Diagram .....	<b>12</b>	<b>13 Mechanical, Packaging, and Orderable Information</b> .....	<b>35</b>

## 4 Revision History

NOTE: Page numbers for previous revisions may differ from page numbers in the current version.

### Changes from Revision O (January 2014) to Revision P

Page

- Added, updated, or renamed the following sections: *Description*; *Pin Configuration and Functions*; *Specifications*; *ESD Ratings* table; *Application and Implementation*; *Power Supply Recommendations*; *Layout*; *Mechanical, Packaging, and Ordering Information* .....
- 1**
- Removed information regarding LM317A, formerly part of this data sheet. LM317A can now be found in the TI catalog under literature number SNVSAC2 .....
- 1**

### Changes from Revision N (August 2013) to Revision O

Page

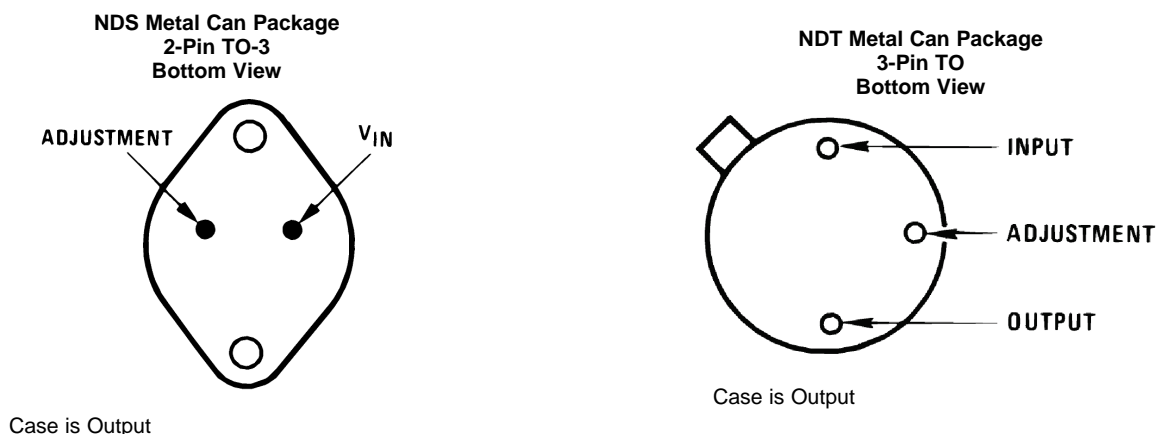
- Deleted MDT Package (over Full Operating Temperature Range) .....
- 7**
- Changed Current Limit MIN from 0.112 to 0.15 and TYP from 0.3 to 0.4 for (VIN – VOUT) = 40 V in the LM317A and LM317-N Electrical Characteristics Section .....
- 7**
- Deleted MDT Package .....
- 7**

## 5 Device Comparison Table

Table 1. LM317 Family Options

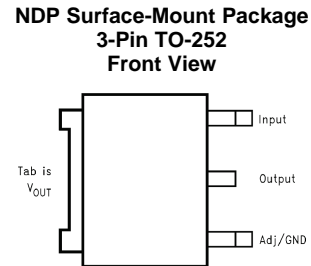
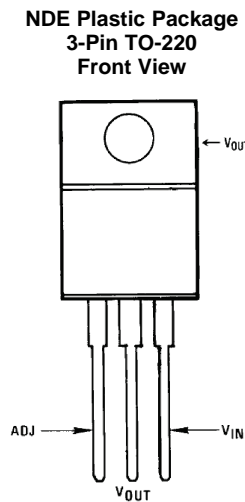
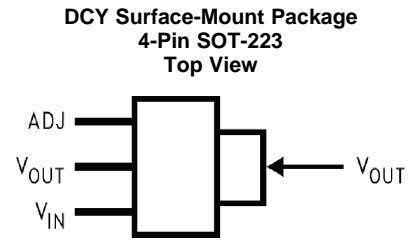
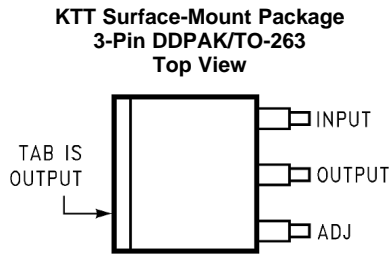
PART NUMBER	TEMPERATURE	DESCRIPTION	PRODUCT FOLDER
<a href="#">LM317-N</a>	0°C to 125°C	40-V, 1.5-A Catalog device	<a href="#">Click here</a>
<a href="#">LM317A</a>	-40°C to 125°C	40-V, 1.5-A Industrial device	<a href="#">Click here</a>
<a href="#">LM317HV</a>	0°C to 125°C	60-V, 1.5-A Catalog device	<a href="#">Click here</a>
<a href="#">LM317L-N</a>	-40°C to 125°C	40-V, 0.1-A, Industrial device	<a href="#">Click here</a>
<a href="#">LM117</a>	-55°C to 150°C	40-V, 1.5-A Extended-temperature device	<a href="#">Click here</a>
<a href="#">LM117HV</a>	-55°C to 150°C	60-V, 1.5-A Extended-temperature device	<a href="#">Click here</a>
<a href="#">LM117HVQML</a>	-55°C to 125°C	60-V, 1.5-A Military-grade device per spec MIL-PRF-38535	<a href="#">Click here</a>
<a href="#">LM117HVQML-SP</a>	-55°C to 125°C	60-V, 1.5-A Space-grade device	<a href="#">Click here</a>
<a href="#">LM117JAN</a>	-55°C to 125°C	40-V, 1.5-A Military-grade device per spec MIL-PRF-38510	<a href="#">Click here</a>
<a href="#">LM117QML</a>	-55°C to 125°C	40-V, 1.5-A Military-grade device per spec MIL-PRF-38535	<a href="#">Click here</a>
<a href="#">LM117QML-SP</a>	-55°C to 125°C	40-V, 1.5-A Space-grade device	<a href="#">Click here</a>

## 6 Pin Configuration and Functions



Pin Functions, Metal Can Packages

NAME	PIN		I/O	DESCRIPTION
	TO-3	TO		
ADJ	1	2	—	Adjust pin
V <sub>OUT</sub>	CASE	3, CASE	O	Output voltage pin for the regulator
V <sub>IN</sub>	2	1	I	Input voltage pin for the regulator



### Pin Functions

NAME	PIN				I/O	DESCRIPTION
	TO-263	TO-220	SOT-223	TO-252		
ADJ	1	1	1	1	—	Adjust pin
$V_{OUT}$	2, TAB	2, TAB	2, 4	2, TAB	O	Output voltage pin for the regulator
$V_{IN}$	3	3	3	3	I	Input voltage pin for the regulator

## 7 Specifications

### 7.1 Absolute Maximum Ratings

over operating free-air temperature range (unless otherwise noted)<sup>(1)(2)</sup>

		MIN	MAX	UNIT
Power dissipation		Internally Limited		
Input-output voltage differential		-0.3	40	V
Lead temperature	Metal package (soldering, 10 seconds)		300	°C
	Plastic package (soldering, 4 seconds)		260	°C
Storage temperature, T <sub>stg</sub>		-65	150	°C

- (1) Stresses beyond those listed under *Absolute Maximum Ratings* may cause permanent damage to the device. These are stress ratings only, which do not imply functional operation of the device at these or any other conditions beyond those indicated under *Recommended Operating Conditions*. Exposure to absolute-maximum-rated conditions for extended periods may affect device reliability.
- (2) If Military/Aerospace specified devices are required, please contact the Texas Instruments Sales Office/Distributors for availability and specifications.

### 7.2 ESD Ratings

			VALUE	UNIT
V <sub>(ESD)</sub>	Electrostatic discharge	Human-body model (HBM) <sup>(1)</sup>	±3000	V

- (1) Manufacturing with less than 500-V HBM is possible with the necessary precautions. Pins listed as ±3000 V may actually have higher performance.

### 7.3 Recommended Operating Conditions

over operating free-air temperature range (unless otherwise noted)

		MIN	MAX	UNIT
Operating temperature (LM117)		-55	150	°C
Operating temperature (LM317-N)		0	125	°C

### 7.4 Thermal Information, LM117

THERMAL METRIC <sup>(1)</sup>		LM117		UNIT
		NDS (TO-3)	NDT (TO)	
		2 PINS	3 PINS	
R <sub>θJA</sub>	Junction-to-ambient thermal resistance <sup>(2)</sup>	39	186	°C/W
R <sub>θJC(top)</sub>	Junction-to-case (top) thermal resistance	2	21	°C/W

- (1) For more information about traditional and new thermal metrics, see the *Semiconductor and IC Package Thermal Metrics* application report, [SPRA953](#).
- (2) No heatsink.

## 7.5 Thermal Information, LM317-N

THERMAL METRIC <sup>(1)(2)</sup>	LM317-N					UNIT
	KTT (TO-263)	NDE (TO-220)	DCY (SOT-223)	NDT (TO)	NDP (TO-252)	
	3 PINS	3 PINS	4 PINS	3 PINS	3 PINS	
R <sub>θJA</sub> Junction-to-ambient thermal resistance	41.0	23.3	59.6	186 <sup>(3)</sup>	54	°C/W
R <sub>θJC(top)</sub> Junction-to-case (top) thermal resistance	43.6	16.2	39.3	21	51.3	°C/W
R <sub>θJB</sub> Junction-to-board thermal resistance	23.6	4.9	8.4	—	28.6	°C/W
Ψ <sub>JT</sub> Junction-to-top characterization parameter	10.4	2.7	1.8	—	3.9	°C/W
Ψ <sub>JB</sub> Junction-to-board characterization parameter	22.6	4.9	8.3	—	28.1	°C/W
R <sub>θJC(bot)</sub> Junction-to-case (bottom) thermal resistance	0.9	1.1	—	—	0.9	°C/W

- (1) For more information about traditional and new thermal metrics, see the *Semiconductor and IC Package Thermal Metrics* application report, [SPRA953](#).
- (2) When surface mount packages are used (SOT-223, TO-252), the junction to ambient thermal resistance can be reduced by increasing the PCB copper area that is thermally connected to the package. See [Heatsink Requirements](#) for heatsink techniques.
- (3) No heatsink

## 7.6 LM117 Electrical Characteristics

Some specifications apply over full Operating Temperature Range as noted. Unless otherwise specified, T<sub>J</sub> = 25°C, V<sub>IN</sub> = V<sub>OUT</sub> = 5 V, and I<sub>OUT</sub> = 10 mA.<sup>(1)(2)</sup>

PARAMETER	TEST CONDITIONS	MIN	TYP	MAX	UNIT	
Reference voltage	3 V ≤ (V <sub>IN</sub> - V <sub>OUT</sub> ) ≤ 40 V, 10 mA ≤ I <sub>OUT</sub> ≤ I <sub>MAX</sub> <sup>(1)</sup> (over full operating temperature range)	1.2	1.25	1.3	V	
Line regulation	3 V ≤ (V <sub>IN</sub> - V <sub>OUT</sub> ) ≤ 40 V <sup>(3)</sup>	T <sub>J</sub> = 25°C		0.01	0.02	
		over full operating temperature range		0.02	0.05	
Load regulation	10 mA ≤ I <sub>OUT</sub> ≤ I <sub>MAX</sub> <sup>(1)(3)</sup>	T <sub>J</sub> = 25°C		0.1%	0.3%	
		over full operating temperature range		0.3%	1%	
Thermal regulation	20-ms pulse		0.03	0.07	%/W	
Adjustment pin current	over full operating temperature range		50	100	μA	
Adjustment pin current change	10 mA ≤ I <sub>OUT</sub> ≤ I <sub>MAX</sub> <sup>(1)</sup> 3 V ≤ (V <sub>IN</sub> - V <sub>OUT</sub> ) ≤ 40 V (over full operating temperature range)		0.2	5	μA	
Temperature stability	T <sub>MIN</sub> ≤ T <sub>J</sub> ≤ T <sub>MAX</sub> (over full operating temperature range)		1%			
Minimum load current	(V <sub>IN</sub> - V <sub>OUT</sub> ) = 40 V (over full operating temperature range)		3.5	5	mA	
Current limit	(V <sub>IN</sub> - V <sub>OUT</sub> ) ≤ 15 V	TO-3 Package (over full operating temperature range)		1.5	2.2	3.4
		TO-39 Package (over full operating temperature range)		0.5	0.8	1.8
	(V <sub>IN</sub> - V <sub>OUT</sub> ) = 40 V	TO-3 package		0.3	0.4	
		TO-39 package		0.15	0.2	
RMS output noise, % of V <sub>OUT</sub>	10 Hz ≤ f ≤ 10 kHz		0.003%			
Ripple rejection ratio	V <sub>OUT</sub> = 10 V, f = 120 Hz, C <sub>ADJ</sub> = 0 μF (over full operating temperature range)		65		dB	
	V <sub>OUT</sub> = 10 V, f = 120 Hz, C <sub>ADJ</sub> = 10 μF (over full operating temperature range)		66	80	dB	
Long-term stability	T <sub>J</sub> = 125°C, 1000 hrs		0.3%	1%		

- (1) I<sub>MAX</sub> = 1.5 A for the NDS (TO-3), NDE (TO-220), and KTT (TO-263) packages. I<sub>MAX</sub> = 1.0 A for the DCY (SOT-223) package. I<sub>MAX</sub> = 0.5 A for the NDT (TO) and NDP (TO-252) packages. Device power dissipation (P<sub>D</sub>) is limited by ambient temperature (T<sub>A</sub>), device maximum junction temperature (T<sub>J</sub>), and package thermal resistance (θ<sub>JA</sub>). The maximum allowable power dissipation at any temperature is: P<sub>D(MAX)</sub> = (T<sub>J(MAX)</sub> - T<sub>A</sub>) / θ<sub>JA</sub>. All Min. and Max. limits are ensured to TI's Average Outgoing Quality Level (AOQL).
- (2) Specifications and availability for military and space grades of LM117/883 can be found in the LM117QML data sheet ([SNVS356](#)). Specifications and availability for military and space grades of LM117 can be found in the LM117JAN data sheet ([SNVS365](#)).
- (3) Regulation is measured at a constant junction temperature, using pulse testing with a low duty cycle. Changes in output voltage due to heating effects are covered under the specifications for thermal regulation.

## 7.7 LM317-N Electrical Characteristics<sup>(1)</sup>

Some specifications apply over full Operating Temperature Range as noted. Unless otherwise specified,  $T_J = 25^\circ\text{C}$ ,  $V_{IN} - V_{OUT} = 5\text{ V}$ , and  $I_{OUT} = 10\text{ mA}$ .

PARAMETER	TEST CONDITIONS	MIN	TYP	MAX	UNIT	
Reference voltage	$T_J = 25^\circ\text{C}$		1.25		V	
	$3\text{ V} \leq (V_{IN} - V_{OUT}) \leq 40\text{ V}$ , $10\text{ mA} \leq I_{OUT} \leq I_{MAX}^{(1)}$ (over Full Operating Temperature Range)	1.2	1.25	1.3	V	
Line regulation	$3\text{V} \leq (V_{IN} - V_{OUT}) \leq 40\text{ V}^{(2)}$	$T_J = 25^\circ\text{C}$	0.01	0.04	%V	
		(over full operating temperature range)	0.02	0.07		
Load regulation	$10\text{ mA} \leq I_{OUT} \leq I_{MAX}^{(1)(2)}$	$T_J = 25^\circ\text{C}$	0.1%	0.5%		
		(over full operating temperature range)	0.3%	1.5%		
Thermal regulation	20-ms pulse		0.04	0.07	%/W	
Adjustment pin current	(over full operating temperature range)		50	100	$\mu\text{A}$	
Adjustment pin current change	$10\text{ mA} \leq I_{OUT} \leq I_{MAX}^{(1)}$ $3\text{V} \leq (V_{IN} - V_{OUT}) \leq 40\text{V}$	(over full operating temperature range)	0.2	5	$\mu\text{A}$	
Temperature stability	$T_{MIN} \leq T_J \leq T_{MAX}$	(over full operating temperature range)	1%			
Minimum load current	$(V_{IN} - V_{OUT}) = 40\text{ V}$	(over full operating temperature range)	3.5	10	mA	
Current limit	$(V_{IN} - V_{OUT}) \leq 15\text{ V}$	TO-3, TO-263 Packages (over full operating temperature range)	1.5	2.2	3.4	A
		SOT-223, TO-220 Packages (over full operating temperature range)	1.5	2.2	3.4	
		TO, TO-252 Package (over full operating temperature range)	0.5	0.8	1.8	
	$(V_{IN} - V_{OUT}) = 40\text{ V}$	TO-3, TO-263 packages	0.15	0.4	A	
		SOT-223, TO-220 packages	0.15	0.4		
		TO, TO-252 package	0.075	0.2		
RMS output noise, % of $V_{OUT}$	$10\text{ Hz} \leq f \leq 10\text{ kHz}$		0.003%			
Ripple rejection ratio	$V_{OUT} = 10\text{ V}$ , $f = 120\text{ Hz}$ , $C_{ADJ} = 0\text{ }\mu\text{F}$ (over full operating temperature range)		65		dB	
	$V_{OUT} = 10\text{ V}$ , $f = 120\text{ Hz}$ , $C_{ADJ} = 10\text{ }\mu\text{F}$ (over full operating temperature range)	66	80		dB	
Long-term stability	$T_J = 125^\circ\text{C}$ , 1000 hrs		0.3%	1%		

- (1)  $I_{MAX} = 1.5\text{ A}$  for the NDS (TO-3), NDE (TO-220), and KTT (TO-263) packages.  $I_{MAX} = 1.0\text{ A}$  for the DCY (SOT-223) package.  $I_{MAX} = 0.5\text{ A}$  for the NDT (TO) and NDP (TO-252) packages. Device power dissipation ( $P_D$ ) is limited by ambient temperature ( $T_A$ ), device maximum junction temperature ( $T_J$ ), and package thermal resistance ( $\theta_{JA}$ ). The maximum allowable power dissipation at any temperature is:  $P_{D(MAX)} = ((T_{J(MAX)} - T_A) / \theta_{JA})$ . All Min. and Max. limits are ensured to TI's Average Outgoing Quality Level (AOQL).
- (2) Regulation is measured at a constant junction temperature, using pulse testing with a low duty cycle. Changes in output voltage due to heating effects are covered under the specifications for thermal regulation.

## 7.8 Typical Characteristics

Output Capacitor = 0  $\mu$ F, unless otherwise noted.

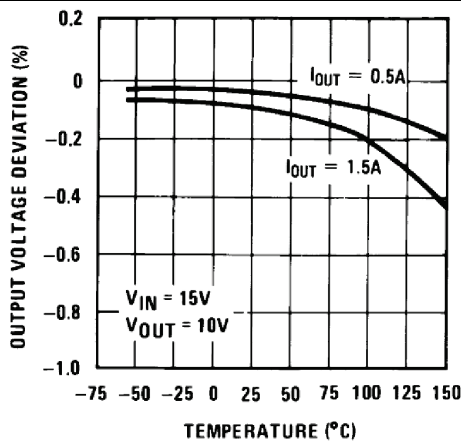


Figure 1. Load Regulation

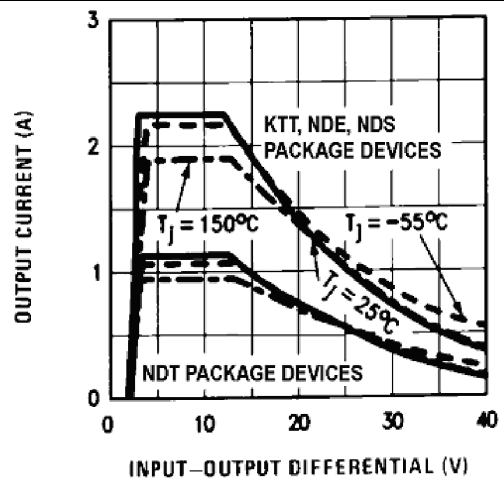


Figure 2. Current Limit

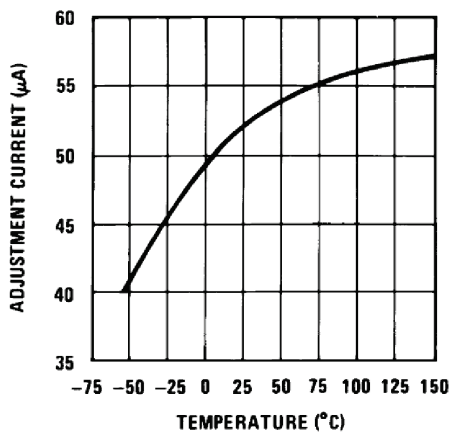


Figure 3. Adjustment Current

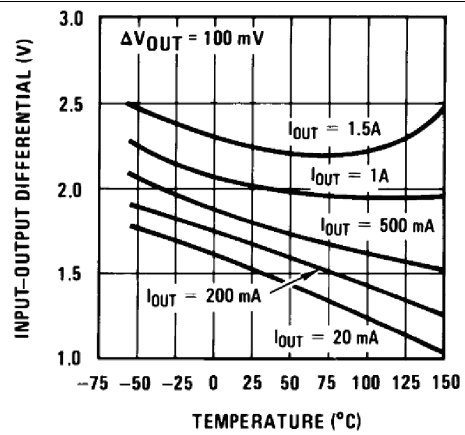


Figure 4. Dropout Voltage

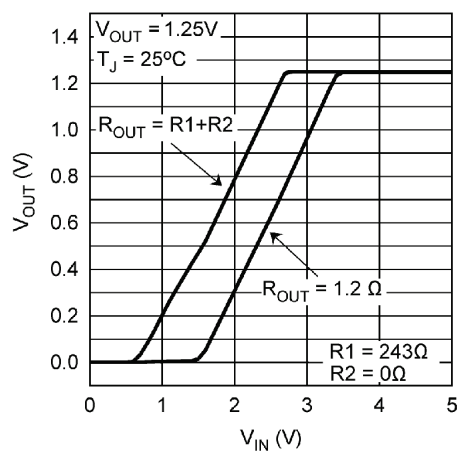


Figure 5.  $V_{OUT}$  vs  $V_{IN}$ ,  $V_{OUT} = V_{REF}$

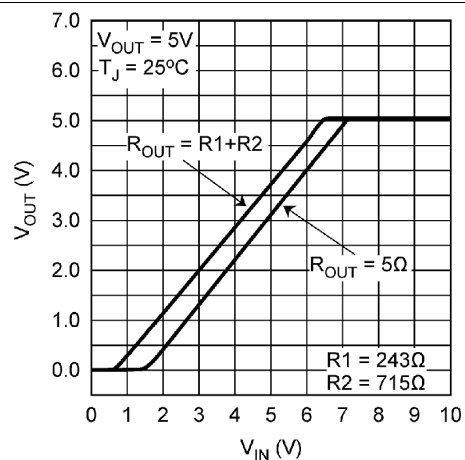


Figure 6.  $V_{OUT}$  vs  $V_{IN}$ ,  $V_{OUT} = 5V$



Typical Characteristics (continued)

Output Capacitor = 0  $\mu$ F, unless otherwise noted.

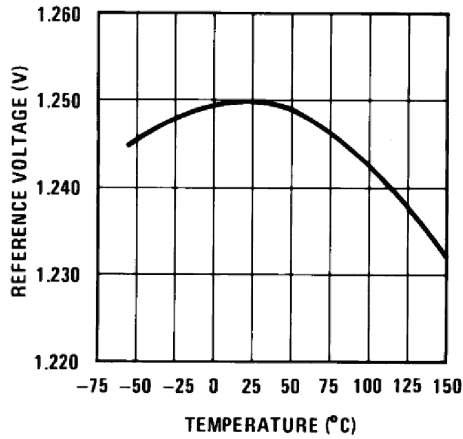


Figure 7. Temperature Stability

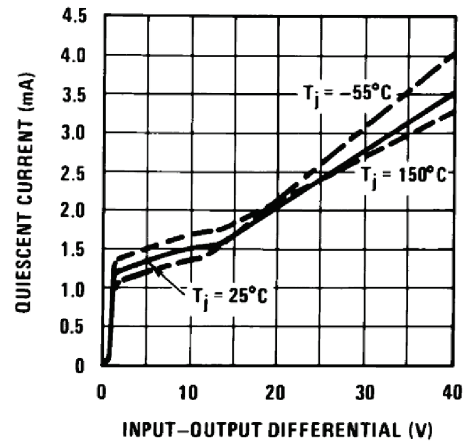


Figure 8. Minimum Operating Current

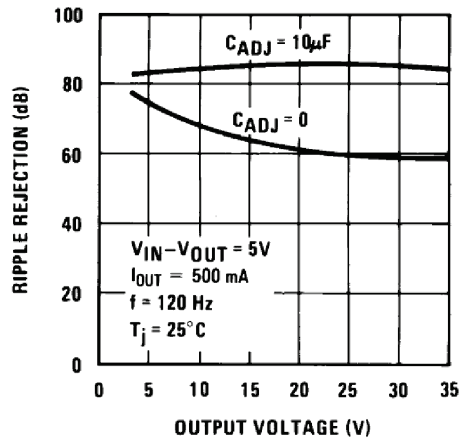


Figure 9. Ripple Rejection

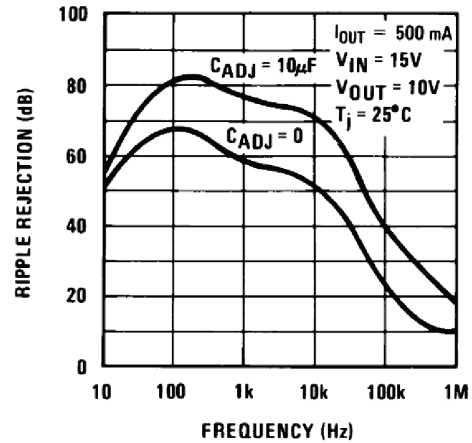


Figure 10. Ripple Rejection

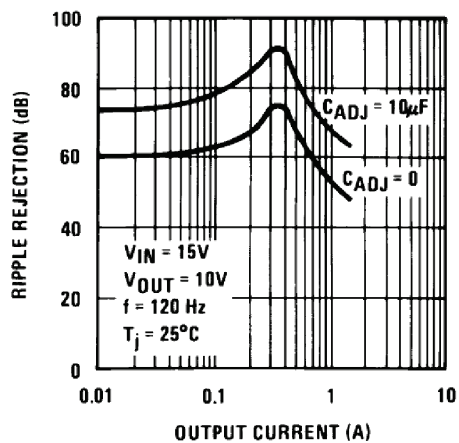


Figure 11. Ripple Rejection

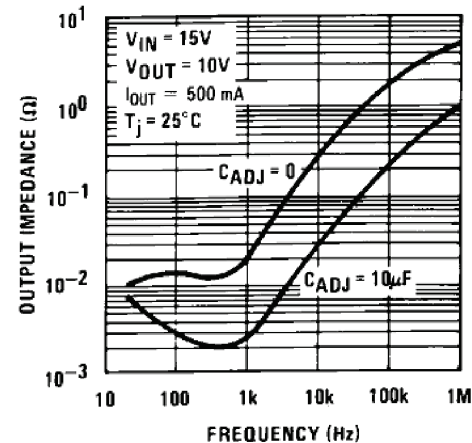
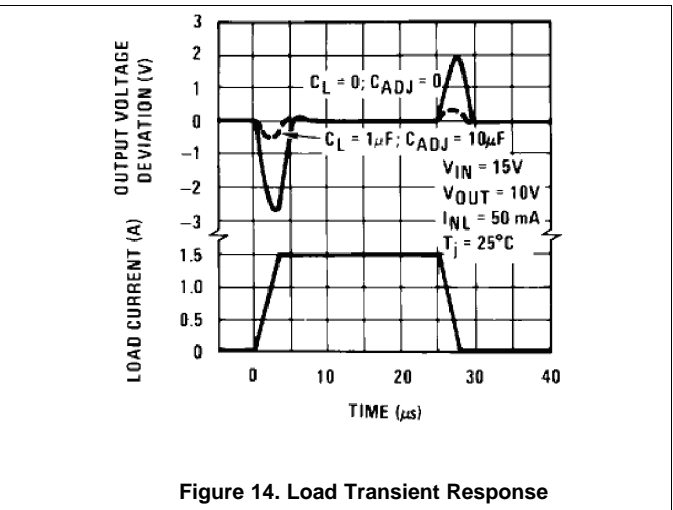
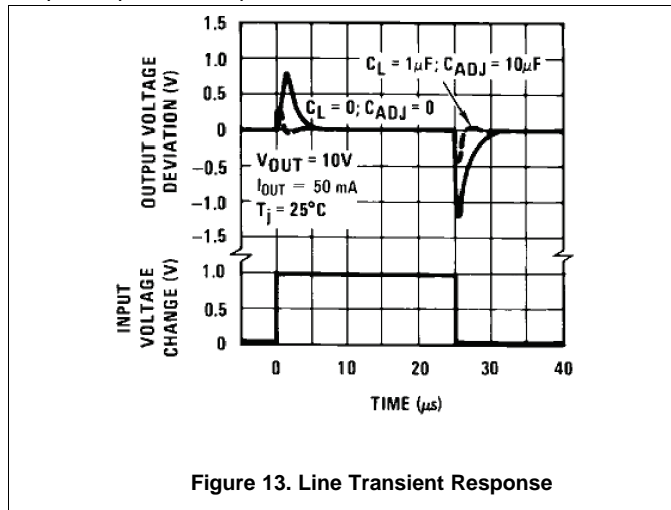


Figure 12. Output Impedance

**Typical Characteristics (continued)**

 Output Capacitor = 0  $\mu\text{F}$ , unless otherwise noted.


## 8 Detailed Description

### 8.1 Overview

In operation, the LM317-N develops a nominal 1.25-V reference voltage,  $V_{REF}$ , between the output and adjustment terminal. The reference voltage is impressed across program resistor  $R1$  and, because the voltage is constant, a constant current  $I_1$  then flows through the output set resistor  $R2$ , giving an output voltage calculated by Equation 1:

$$V_{OUT} = 1.25 V \left( 1 + \frac{R2}{R1} \right) + I_{ADJ} (R2) \quad (1)$$

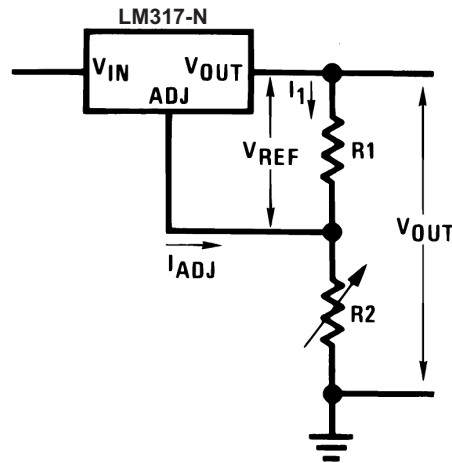
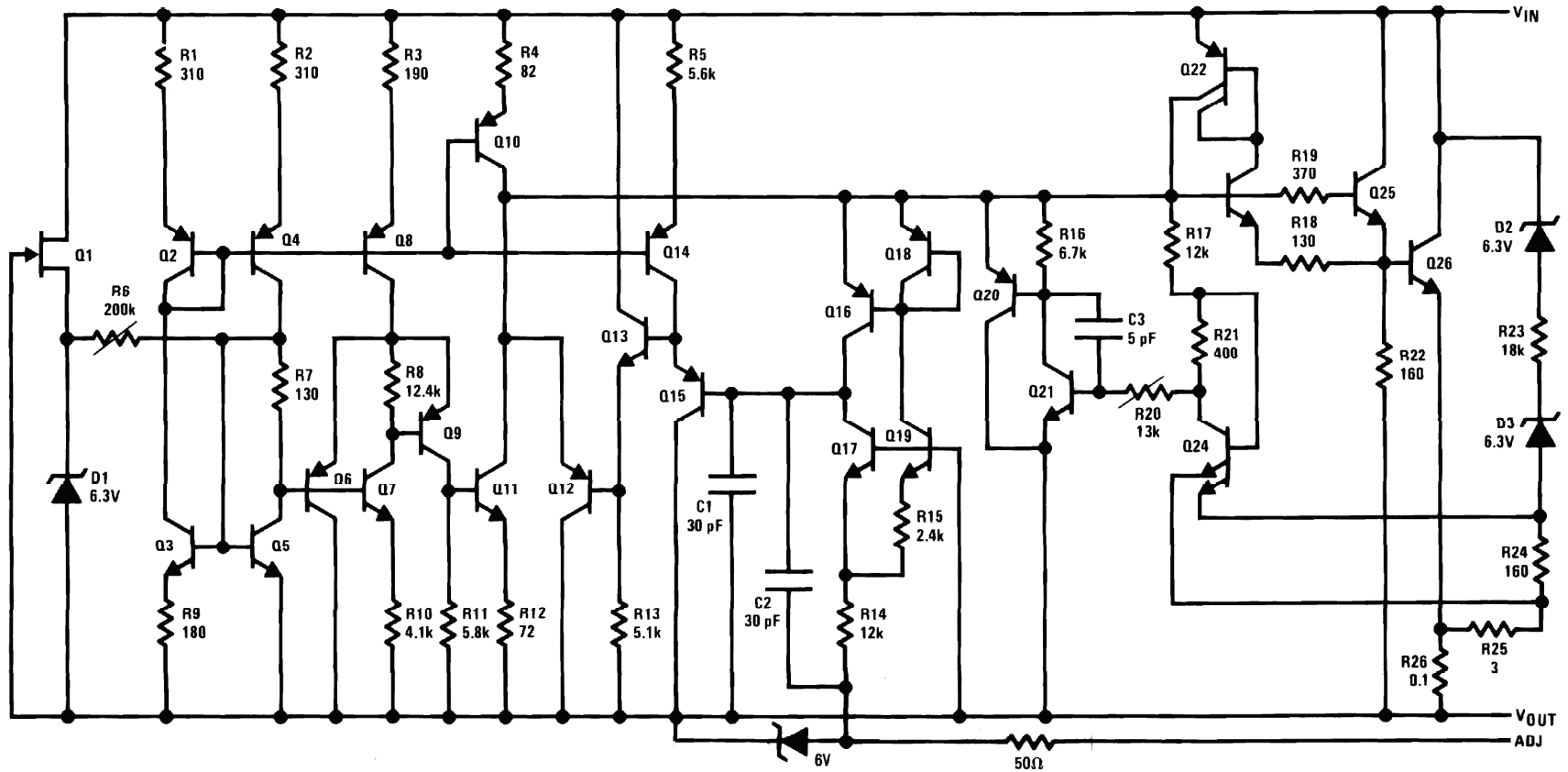


Figure 15. Setting the  $V_{OUT}$  Voltage

Because the 100- $\mu$ A current from the adjustment terminal represents an error term, the LM317-N was designed to minimize  $I_{ADJ}$  and make it very constant with line and load changes. To do this, all quiescent operating current is returned to the output establishing a minimum load current requirement. If there is insufficient load on the output, the output will rise.

8.2 Functional Block Diagram



## 8.3 Feature Description

### 8.3.1 Load Regulation

The LM317-N is capable of providing extremely good load regulation but a few precautions are needed to obtain maximum performance. The current set resistor, R1, must be connected near the output terminal of the regulator rather than near the load. If R1 is placed too far from the output terminal, then the increased trace resistance,  $R_S$ , will cause an error voltage drop in the adjustment loop and degrade load regulation performance. Therefore, R1 must be placed as close as possible to the output terminal to minimize  $R_S$  and maximize load regulation performance.

Figure 16 shows the effect of the trace resistance,  $R_S$ , when R1 is placed far from the output terminal of the regulator. It is clear that  $R_S$  will cause an error voltage drop especially during higher current loads, so it is important to minimize the  $R_S$  trace resistance by keeping R1 close to the regulator output terminal.

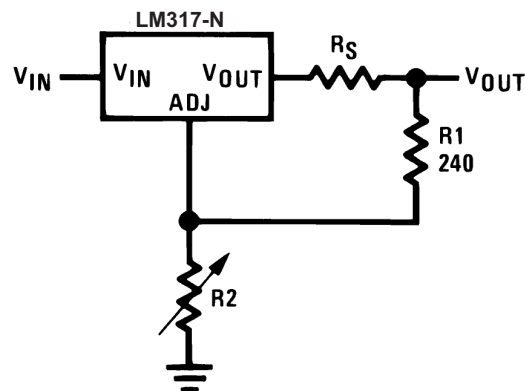


Figure 16. Regulator With Line Resistance in Output Lead

With the TO-3 package, it is easy to minimize the resistance from the case to the set resistor, by using two separate leads to the case. However, with the TO package, care must be taken to minimize the wire length of the output lead. The ground of R2 can be returned near the ground of the load to provide remote ground sensing and improve load regulation.

## 8.4 Device Functional Modes

### 8.4.1 External Capacitors

An input bypass capacitor is recommended. A 0.1- $\mu$ F disc or 1- $\mu$ F solid tantalum on the input is suitable input bypassing for almost all applications. The device is more sensitive to the absence of input bypassing when adjustment or output capacitors are used, but the above values will eliminate the possibility of problems.

The adjustment terminal can be bypassed to ground on the LM317-N to improve ripple rejection. This bypass capacitor prevents ripple from being amplified as the output voltage is increased. With a 10- $\mu$ F bypass capacitor, 80-dB ripple rejection is obtainable at any output level. Increases over 10  $\mu$ F do not appreciably improve the ripple rejection at frequencies above 120 Hz. If the bypass capacitor is used, it is sometimes necessary to include protection diodes to prevent the capacitor from discharging through internal low current paths and damaging the device.

In general, the best type of capacitors to use is solid tantalum. Solid tantalum capacitors have low impedance even at high frequencies. Depending upon capacitor construction, it takes about 25  $\mu$ F in aluminum electrolytic to equal 1- $\mu$ F solid tantalum at high frequencies. Ceramic capacitors are also good at high frequencies. However, some types have a large decrease in capacitance at frequencies around 0.5 MHz. For this reason, 0.01- $\mu$ F disc may seem to work better than a 0.1- $\mu$ F disc as a bypass.

Although the LM317-N is stable with no output capacitors, like any feedback circuit, certain values of external capacitance can cause excessive ringing. This occurs with values between 500 pF and 5000 pF. A 1- $\mu$ F solid tantalum (or 25- $\mu$ F aluminum electrolytic) on the output swamps this effect and insures stability. Any increase of the load capacitance larger than 10  $\mu$ F will merely improve the loop stability and output impedance.

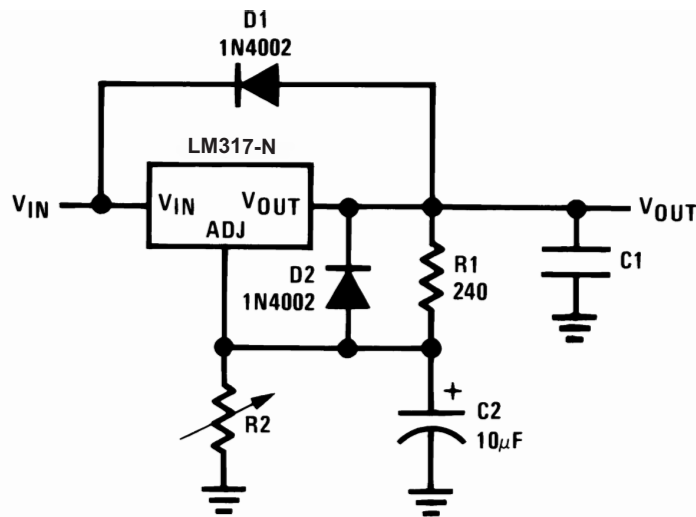
## Device Functional Modes (continued)

### 8.4.2 Protection Diodes

When external capacitors are used with any IC regulator, it is sometimes necessary to add protection diodes to prevent the capacitors from discharging through low current points into the regulator. Most 10- $\mu$ F capacitors have low enough internal series resistance to deliver 20-A spikes when shorted. Although the surge is short, there is enough energy to damage parts of the IC.

When an output capacitor is connected to a regulator and the input is shorted, the output capacitor will discharge into the output of the regulator. The discharge current depends on the value of the capacitor, the output voltage of the regulator, and the rate of decrease of  $V_{IN}$ . In the LM317-N, this discharge path is through a large junction that is able to sustain 15-A surge with no problem. This is not true of other types of positive regulators. For output capacitors of 25  $\mu$ F or less, there is no need to use diodes.

The bypass capacitor on the adjustment terminal can discharge through a low current junction. Discharge occurs when *either* the input, or the output, is shorted. Internal to the LM317-N is a 50- $\Omega$  resistor which limits the peak discharge current. No protection is needed for output voltages of 25 V or less and 10- $\mu$ F capacitance. Figure 17 shows an LM317-N with protection diodes included for use with outputs greater than 25 V and high values of output capacitance.



$$V_{OUT} = 1.25 V \left( 1 + \frac{R2}{R1} \right) + I_{ADJ} (R2)$$

D1 protects against C1

D2 protects against C2

Figure 17. Regulator With Protection Diodes

## 9 Application and Implementation

### NOTE

Information in the following applications sections is not part of the TI component specification, and TI does not warrant its accuracy or completeness. TI's customers are responsible for determining suitability of components for their purposes. Customers must validate and test their design implementation to confirm system functionality.

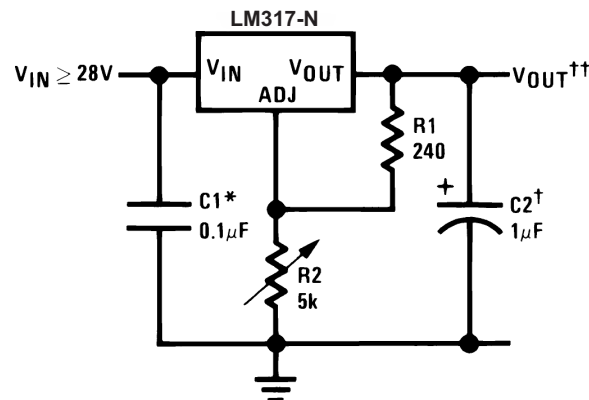
### 9.1 Application Information

The LM117 and LM317-N are versatile, high performance, linear regulators with high accuracy and a wide temperature range. An output capacitor can be added to further improve transient response, and the ADJ pin can be bypassed to achieve very high ripple-rejection ratios. Its functionality can be utilized in many different applications that require high performance regulation, such as battery chargers, constant current regulators, and microprocessor supplies.

### 9.2 Typical Applications

#### 9.2.1 1.25-V to 25-V Adjustable Regulator

The LM117 can be used as a simple, low-dropout regulator to enable a variety of output voltages needed for demanding applications. By using an adjustable R2 resistor, a variety of output voltages can be made possible as shown in [Figure 18](#).



NOTE: Full output current not available at high input-output voltages

\*Needed if device is more than 6 inches from filter capacitors.

†Optional—improves transient response. Output capacitors in the range of 1 μF to 1000 μF of aluminum or tantalum electrolytic are commonly used to provide improved output impedance and rejection of transients.

$$\dagger\dagger V_{OUT} = 1.25V \left( 1 + \frac{R2}{R1} \right) + I_{ADJ}(R2)$$

Figure 18. 1.25-V to 25-V Adjustable Regulator

#### 9.2.1.1 Design Requirements

The device component count is very minimal, employing two resistors as part of a voltage divider circuit and an output capacitor for load regulation. An input capacitor is needed if the device is more than 6 inches from filter capacitors. An optional bypass capacitor across R2 can also be used to improve PSRR.

#### 9.2.1.2 Detailed Design Procedure

The output voltage is set based on the selection of the two resistors, R1 and R2, as shown in [Figure 18](#). For details on capacitor selection, refer to [External Capacitors](#).

## Typical Applications (continued)

### 9.2.1.3 Application Curve

As shown in Figure 19,  $V_{OUT}$  will rise with  $V_{IN}$  minus some dropout voltage. This dropout voltage during startup will vary with  $R_{OUT}$ .

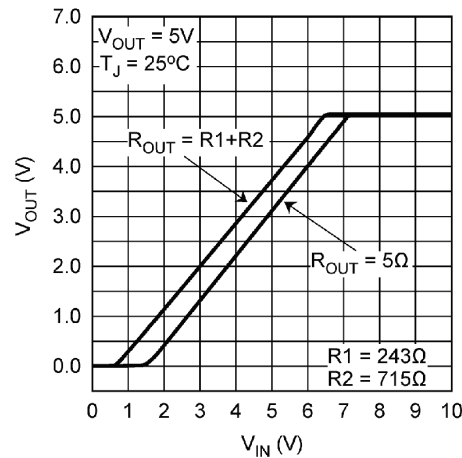
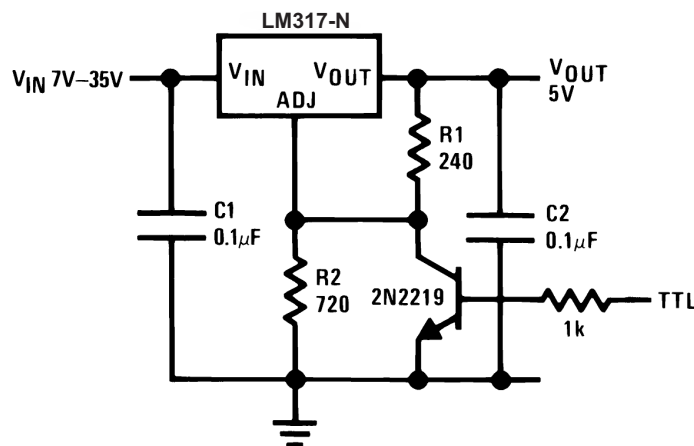


Figure 19.  $V_{OUT}$  vs  $V_{IN}$ ,  $V_{OUT} = 5V$

### 9.2.2 5-V Logic Regulator With Electronic Shutdown

Figure 20 shows a variation of the 5-V output regulator application uses the L117 along with an NPN transistor to provide shutdown control. The NPN will either block or sink the current from the ADJ pin by responding to the TTL pin logic. When TTL is pulled high, the NPN is on and pulls the ADJ pin to GND, and the LM117 outputs about

1.25 V. When TTL is pulled low, the NPN is off and the regulator outputs according to the programmed adjustable voltage.



NOTE: Min. output  $\approx 1.2V$

Figure 20. 5-V Logic Regulator With Electronic Shutdown



## Typical Applications (continued)

### 9.2.3 Slow Turnon 15-V Regulator

An application of LM117 includes a PNP transistor with a capacitor to implement slow turnon functionality (see Figure 21). As  $V_{IN}$  rises, the PNP sinks current from the ADJ rail. The output voltage at start up is the addition of the 1.25-V reference plus the drop across the base to emitter. While this is happening, the capacitor begins to charge and eventually opens the PNP. At this point, the device functions normally, regulating the output at 15 V. A diode is placed between C1 and  $V_{OUT}$  to provide a path for the capacitor to discharge. Such controlled turnon is useful for limiting the in-rush current.

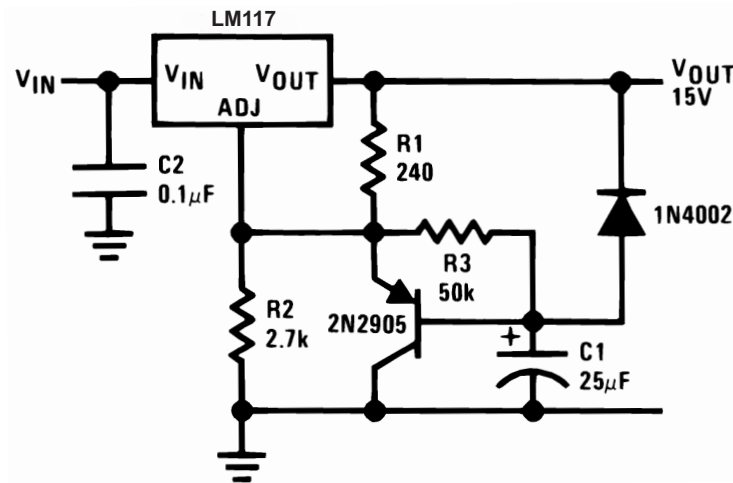
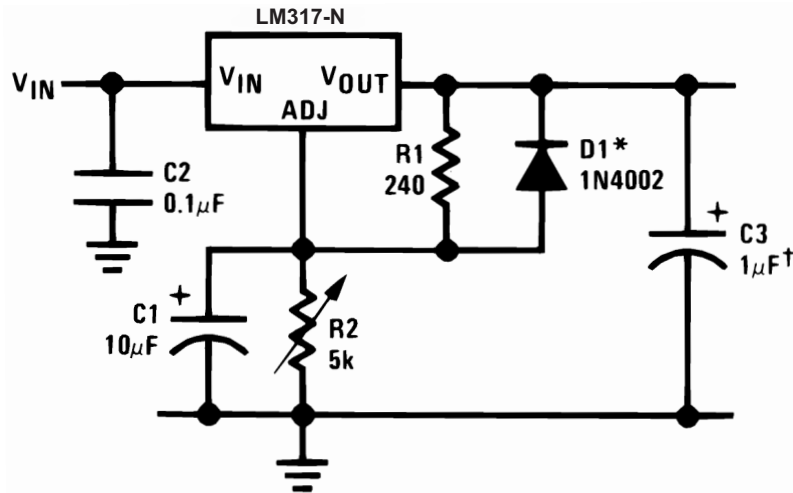


Figure 21. Slow Turnon 15-V Regulator

## Typical Applications (continued)

### 9.2.4 Adjustable Regulator With Improved Ripple Rejection

To improve ripple rejection, a capacitor is used to bypass the ADJ pin to GND (see Figure 22). This is used to smooth output ripple by cleaning the feedback path and stopping unnecessary noise from being fed back into the device, propagating the noise.



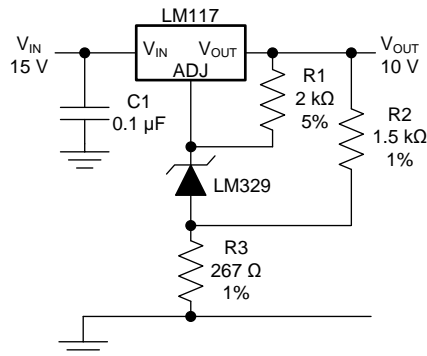
NOTE: †Solid tantalum

\*Discharges C1 if output is shorted to ground

**Figure 22. Adjustable Regulator With Improved Ripple Rejection**

### 9.2.5 High Stability 10-V Regulator

Using a high stability shunt voltage reference in the feedback path, such as the LM329, provides damping necessary for a stable, low noise output (see Figure 23).



**Figure 23. High Stability 10-V Regulator**

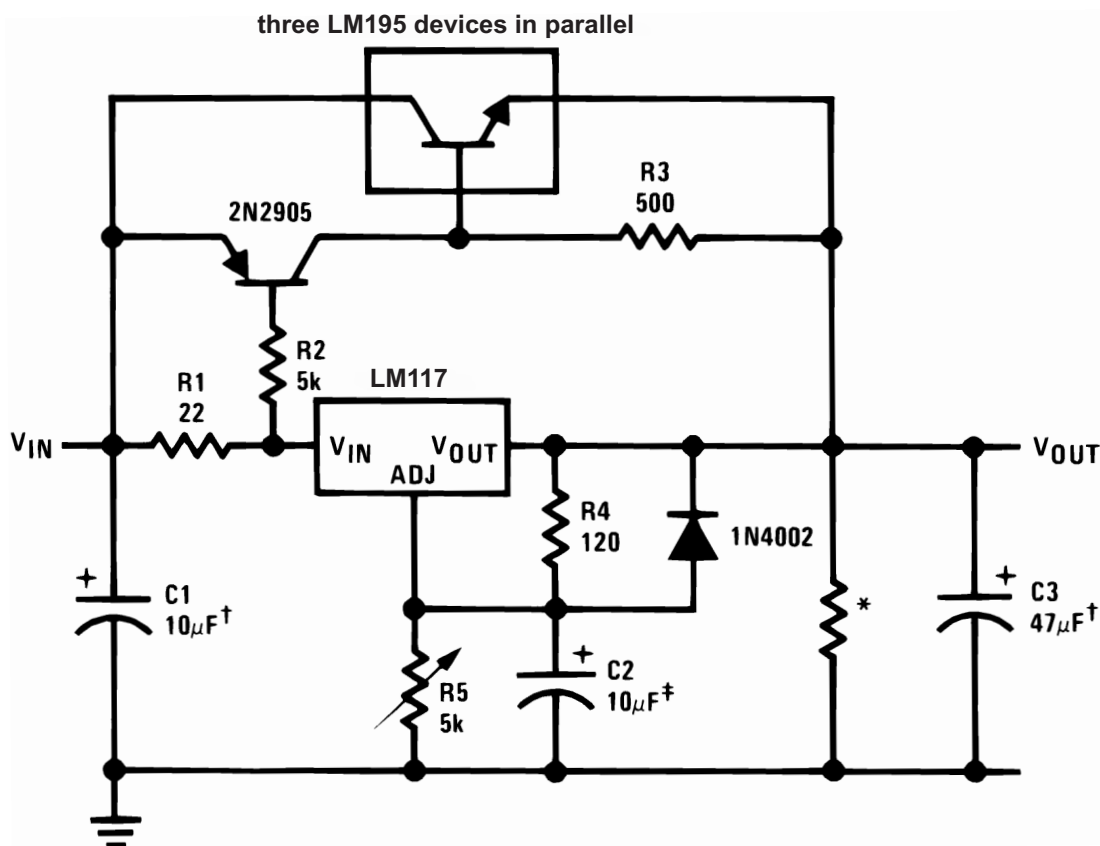
Typical Applications (continued)

9.2.6 High-Current Adjustable Regulator

Using the LM195 power transistor in parallel with the LM117 can increase the maximum possible output load current (see Figure 24). Sense resistor R1 provides the 0.6 V across base to emitter to turn on the PNP. This on switch allows current to flow, and the voltage drop across R3 drives three LM195 power transistors designed to carry an excess of 1 A each.

NOTE

The selection of R1 determines a minimum load current for the PNP to turn on. The higher the resistor value, the lower the load current must be before the transistors turn on.



NOTE: ‡Optional—improves ripple rejection  
 †Solid tantalum  
 \*Minimum load current = 30 mA

Figure 24. High-Current Adjustable Regulator

Typical Applications (continued)

9.2.7 Emitter-Follower Current Amplifier

The LM117 is used as a constant current source in the emitter follower circuit (see Figure 25). The LM195 power transistor is being used as a current gain amplifier, boosting the INPUT current. The LM117 provides a stable current bias than just using a resistor.

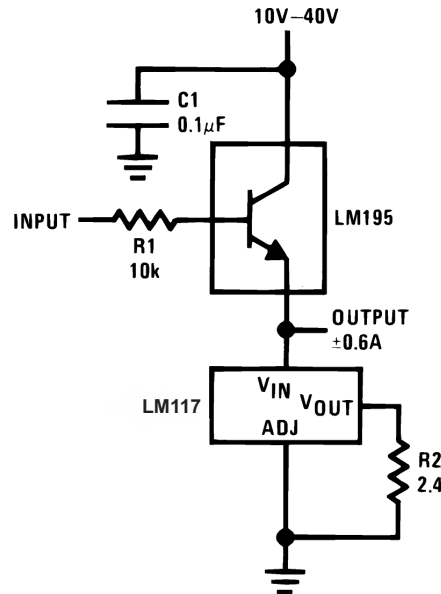


Figure 25. Emitter-Follower Current Amplifier

9.2.8 1-A Current Regulator

A simple, fixed current regulator can be made by placing a resistor between the V<sub>OUT</sub> and ADJ pins of the LM117 (see Figure 26). By regulating a constant 1.25 V between these two terminals, a constant current is delivered to the load.

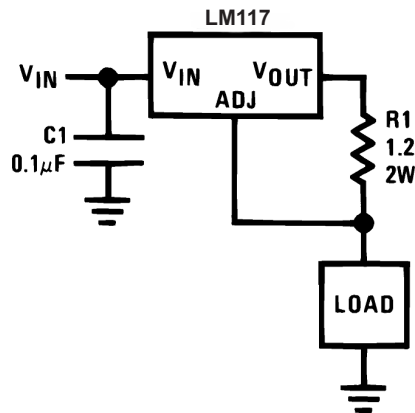


Figure 26. 1-A Current Regulator

## Typical Applications (continued)

### 9.2.9 Common-Emitter Amplifier

Sometimes it is necessary to use a power transistor for high current gain. In this case, the LM117 provides constant current at the collector of the LM195 in this common emitter application (see Figure 27). The 1.25-V reference between  $V_{OUT}$  and ADJ is maintained across the 2.4- $\Omega$  resistor, providing about 500-mA constant bias current into the collector of the LM195.

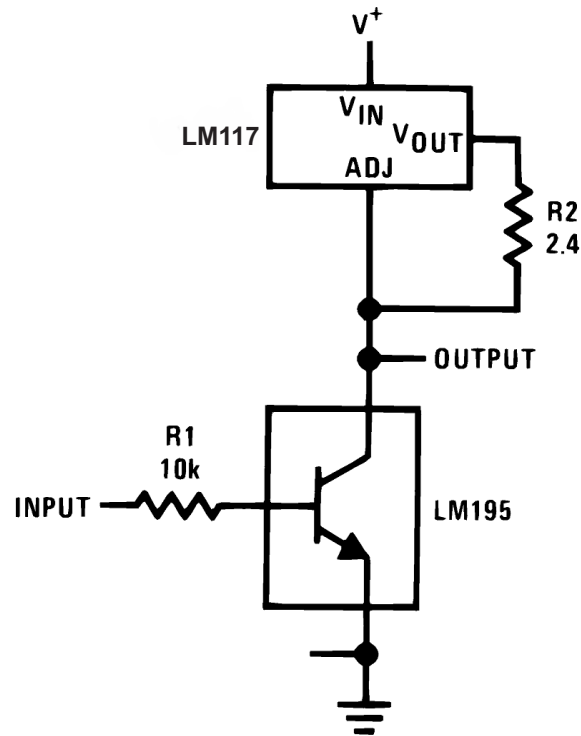
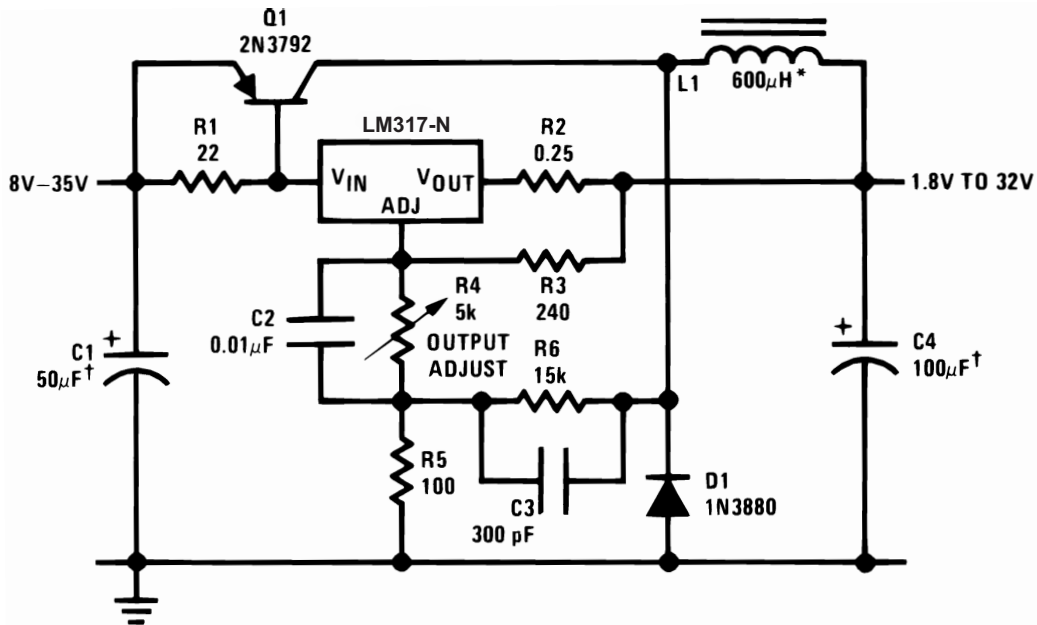


Figure 27. Common-Emitter Amplifier

**Typical Applications (continued)**
**9.2.10 Low-Cost 3-A Switching Regulator**

The LM317-N can be used in a switching buck regulator application in cost sensitive applications that require high efficiency. The switch node above D1 oscillates between ground and VIN, as the voltage across sense resistor R1 drives the power transistor on and off. Figure 28 exhibits self-oscillating behavior by negative feedback through R6 and C3 to the ADJ pin of the LM317-N.



NOTE: †Solid tantalum

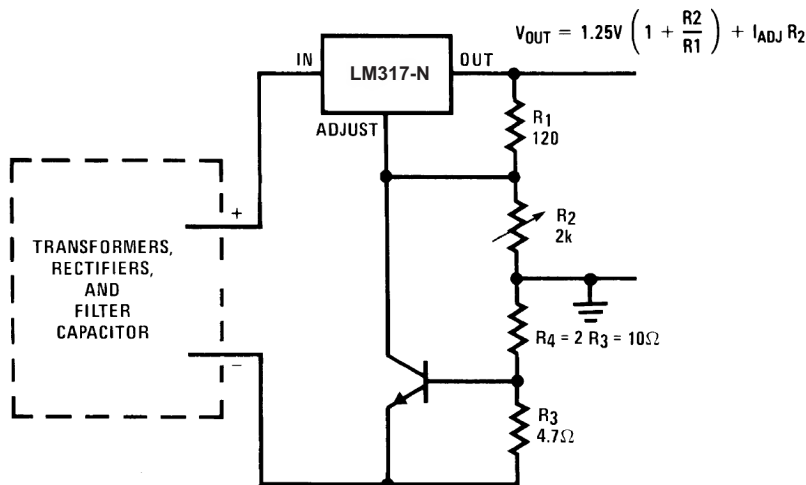
\*Core—Arnold A-254168-2 60 turns

**Figure 28. Low-Cost 3-A Switching Regulator**

## Typical Applications (continued)

### 9.2.11 Current-Limited Voltage Regulator

A maximum limit on output current can be set using the circuit shown in Figure 29. The load current travels through R3 and R4. As the load current increases, the voltage drop across R3 increases until the NPN transistor is driven, during which the ADJ pin is pulled down to ground and the output voltage is pulled down to the reference voltage of 1.25 V.



—Short circuit current is approximately  $\frac{600 \text{ mV}}{R_3}$ , or 210 mA

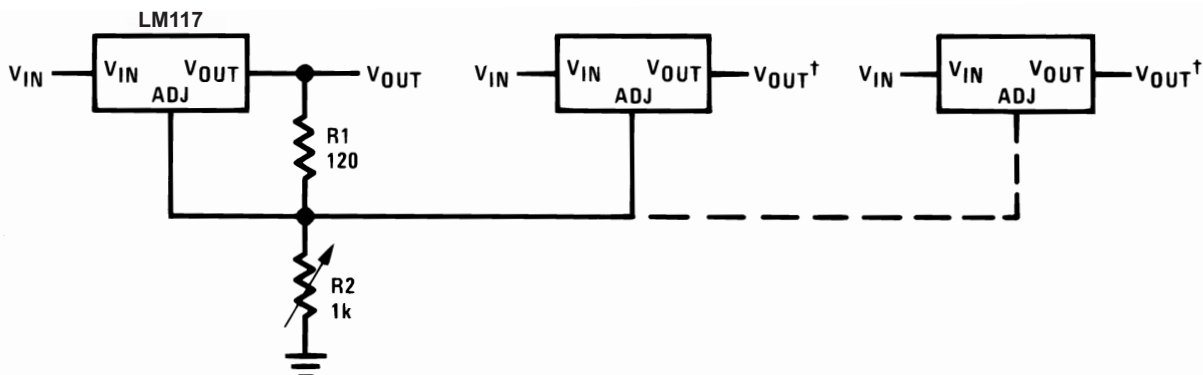
(Compared to LM117's higher current limit)

—At 50 mA output only  $\frac{3}{4}$  volt of drop occurs in R<sub>3</sub> and R<sub>4</sub>

Figure 29. Current-Limited Voltage Regulator

### 9.2.12 Adjusting Multiple On-Card Regulators With Single Control

Figure 30 shows how multiple LM117 regulators can be controlled by setting one resistor. Because each device maintains the reference voltage of about 1.25 V between its V<sub>OUT</sub> and ADJ pins, we can connect each ADJ rail to a single resistor, setting the same output voltage across all devices. This allows for independent outputs, each responding to its corresponding input only. Designers must also consider that by the nature of the circuit, changes to R1 and R2 will affect all regulators.



NOTE: \*All outputs within  $\pm 100 \text{ mV}$   
†Minimum load—10 mA

Figure 30. Adjusting Multiple On-Card Regulators With Single Control

## Typical Applications (continued)

### 9.2.13 AC Voltage Regulator

In [Figure 31](#), the top regulator is +6 V above the bottom regulator. It is clear that when the input rises above +6 V plus the dropout voltage, only the top LM317-N regulates +6 V at the output. When the input falls below –6 V minus the dropout voltage, only the bottom LM317-N regulates –6 V at the output. For regions where the output is not clipped, there is no regulation taking place, so the output follows the input.

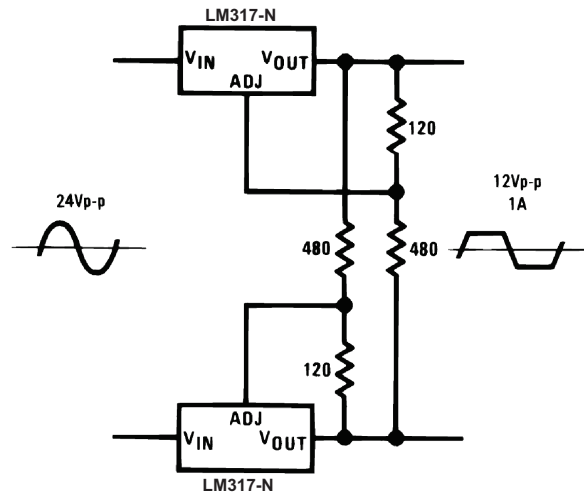
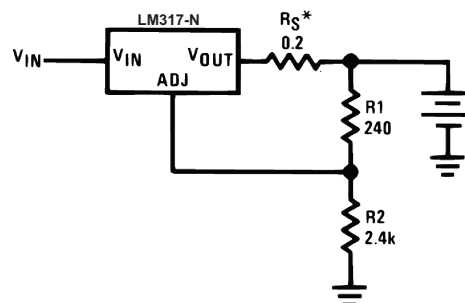


Figure 31. AC Voltage Regulator

### 9.2.14 12-V Battery Charger

The LM317-N can be used in a battery charger application shown in [Figure 32](#), where the device maintains either constant voltage or constant current mode depending on the current charge of the battery. To do this, the part senses the voltage drop across the battery and delivers the maximum charging current necessary to charge the battery. When the battery charge is low, there exists a voltage drop across the sense resistor  $R_S$ , providing constant current to the battery at that instant. As the battery approaches full charge, the potential drop across  $R_S$  approaches zero, reducing the current and maintaining the fixed voltage of the battery.



$$*R_S \text{—sets output impedance of charger: } Z_{OUT} = R_S \left( 1 + \frac{R_2}{R_1} \right)$$

Use of  $R_S$  allows low charging rates with fully charged battery.

Figure 32. 12-V Battery Charger



## Typical Applications (continued)

### 9.2.15 Adjustable 4-A Regulator

Using three LM317-N devices in parallel increases load current capability (Figure 33). Output voltage is set by the variable resistor tied to the non-inverting terminal of the operational amplifier, and reference current to the transistor is developed across the 100  $\Omega$  resistor. When output voltage rises, the operational amplifier corrects by drawing current from the base, closing the transistor. This effectively pulls ADJ down and lowers the output voltage through negative feedback.

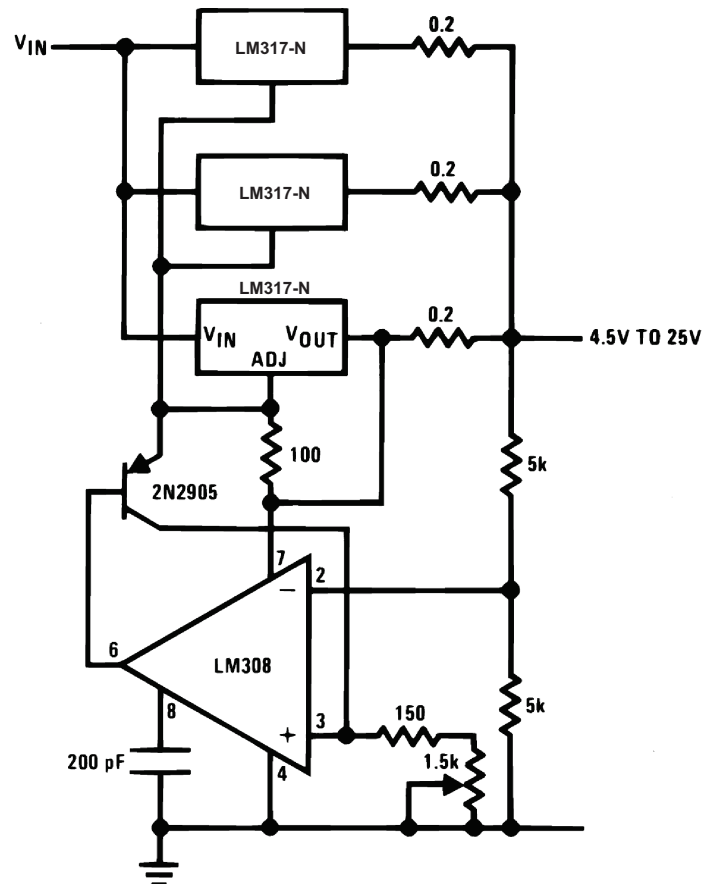
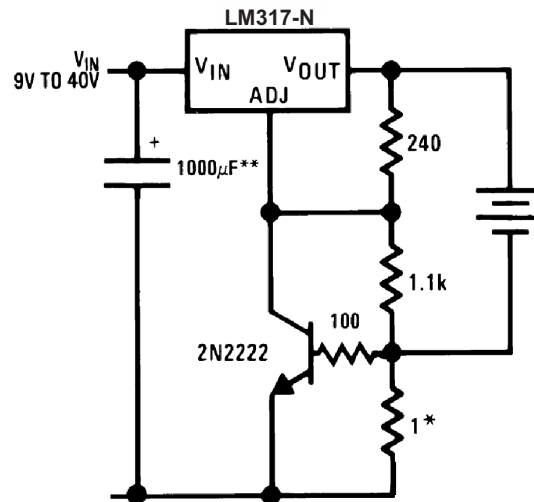


Figure 33. Adjustable 4-A Regulator

Typical Applications (continued)

9.2.16 Current-Limited 6-V Charger

The current in a battery charger application is limited by switching between constant current and constant voltage states (see Figure 34). When the battery pulls low current, the drop across the 1 Ω resistor is not substantial and the NPN remains off. A constant voltage is seen across the battery, as regulated by the resistor divider. When current through the battery rises past peak current, the 1 Ω provides enough voltage to turn the transistor on, pulling ADJ close to ground. This results in limiting the maximum current to the battery.



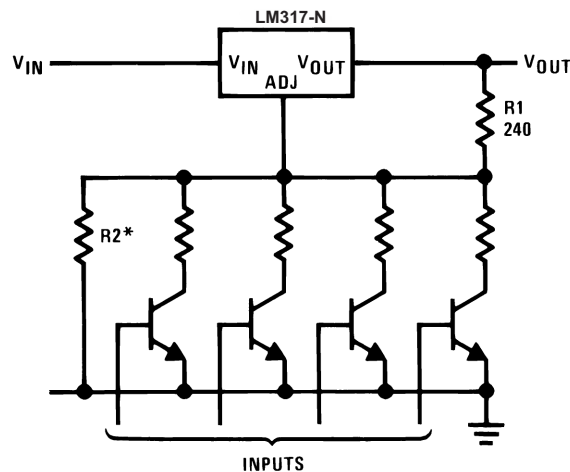
\*Sets peak current (0.6A for 1Ω)

\*\*The 1000-μF is recommended to filter out input transients

Figure 34. Current-Limited 6-V Charger

9.2.17 Digitally Selected Outputs

Figure 35 demonstrates a digitally selectable output voltage. In its default state, all transistors are off and the output voltage is set based on R1 and R2. By driving certain transistors, the associated resistor is connected in parallel to R2, modifying the output voltage of the regulator.



\*Sets maximum V<sub>OUT</sub>

Figure 35. Digitally Selected Outputs

$$V_{OUT} = V_{REF} \left( 1 + \frac{R2}{R1} \right) + I_{ADJ}R2 \tag{2}$$

## 10 Power Supply Recommendations

The input supply to the LM117 and LM317-N must be kept at a voltage level such that its maximum input to output differential voltage is not exceeded. The minimum dropout voltage must also be met with extra headroom when possible to keep the LM117 and LM317-N in regulation. An input capacitor is recommended, especially when the input pin is located more than 6 inches away from the power supply source. For more information regarding capacitor selection, refer to [External Capacitors](#).

## 11 Layout

### 11.1 Layout Guidelines

Some layout guidelines must be followed to ensure proper regulation of the output voltage with minimum noise. Traces carrying the load current must be wide to reduce the amount of parasitic trace inductance and the feedback loop from  $V_{OUT}$  to ADJ must be kept as short as possible. To improve PSRR, a bypass capacitor can be placed at the ADJ pin and must be located as close as possible to the IC. In cases when  $V_{IN}$  shorts to ground, an external diode must be placed from  $V_{OUT}$  to  $V_{IN}$  to divert the surge current from the output capacitor and protect the IC. Similarly, in cases when a large bypass capacitor is placed at the ADJ pin and  $V_{OUT}$  shorts to ground, an external diode must be placed from ADJ to  $V_{OUT}$  to provide a path for the bypass capacitor to discharge. These diodes must be placed close to the corresponding IC pins to increase their effectiveness.

### 11.2 Layout Example

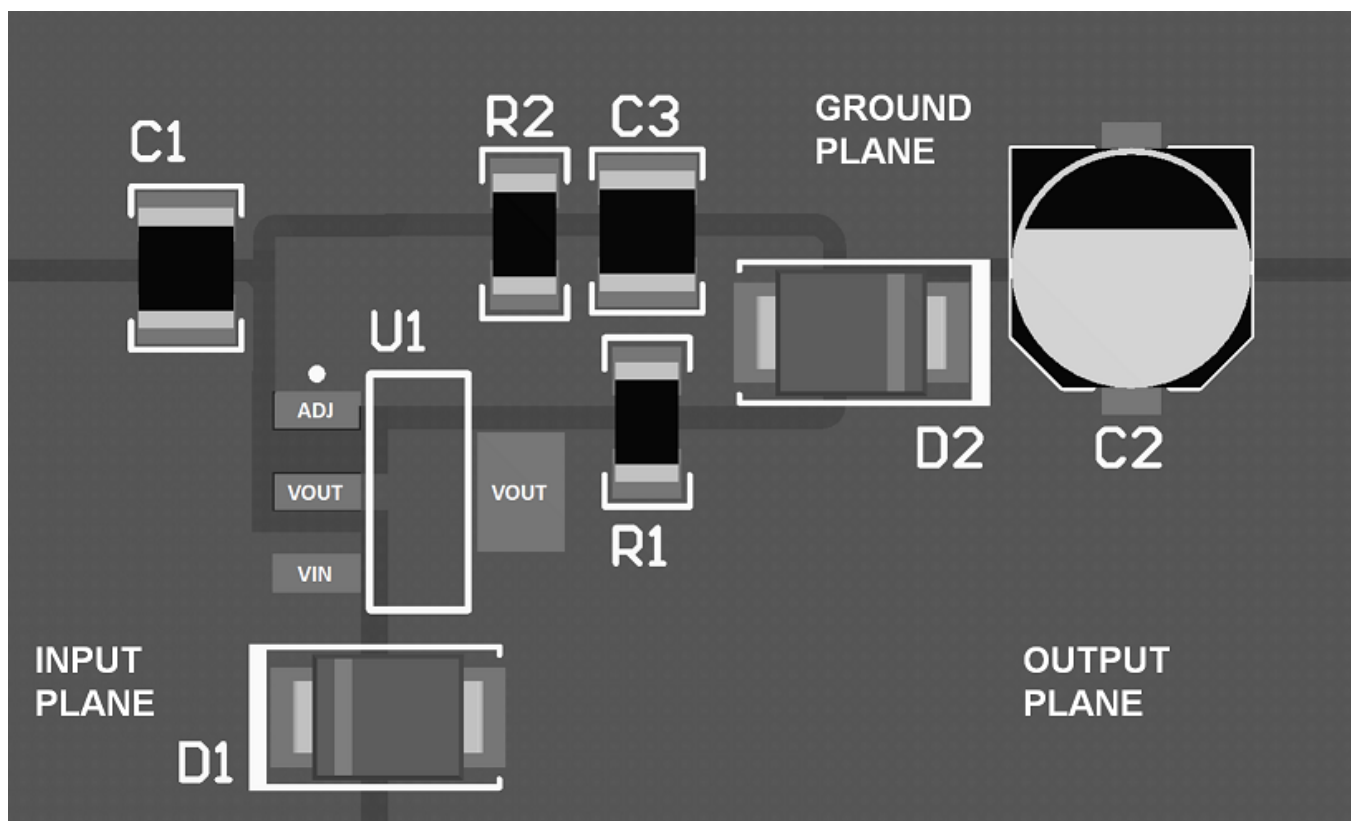
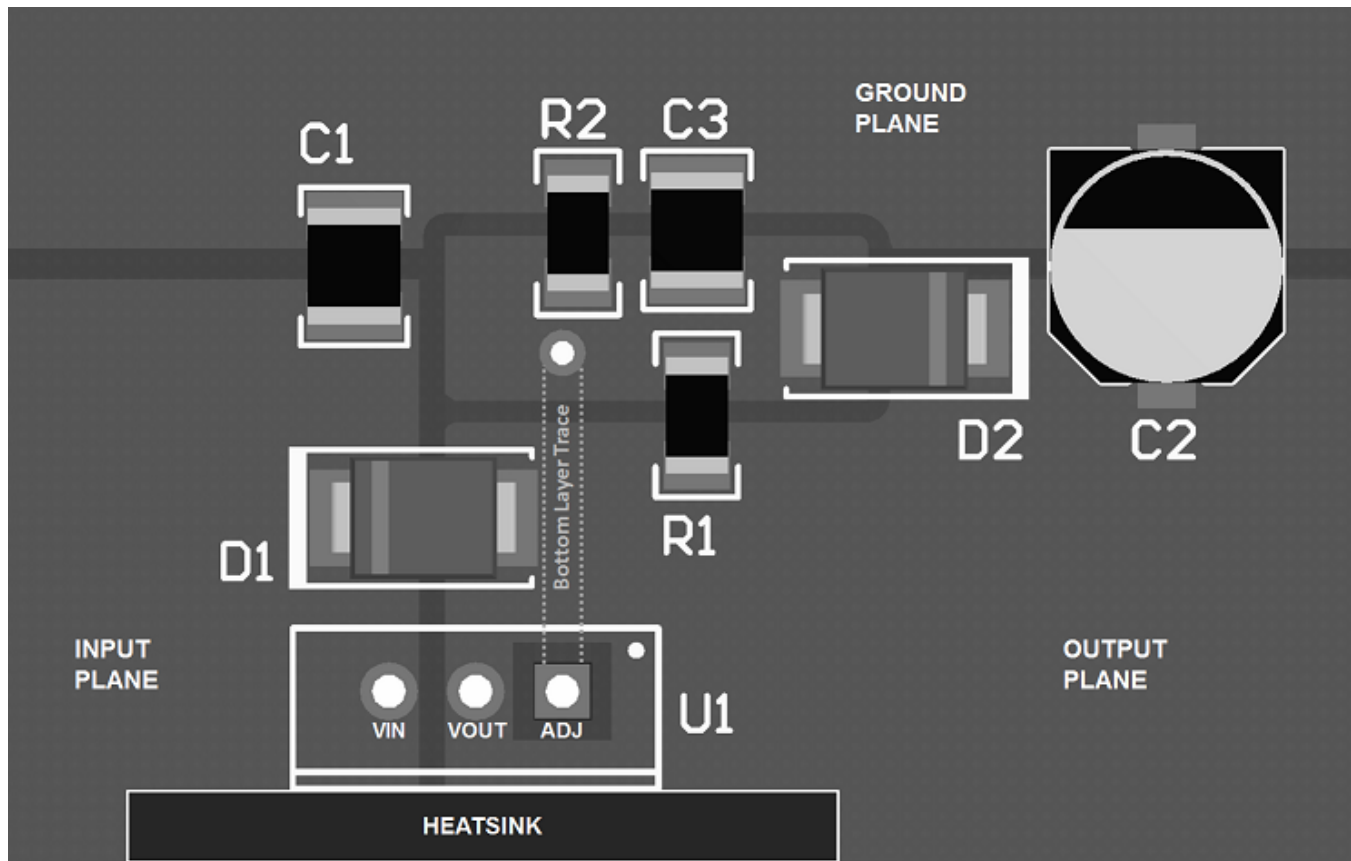


Figure 36. Layout Example (SOT-223)

**Layout Example (continued)**

**Figure 37. Layout Example (TO-220)**
**11.3 Thermal Considerations**
**11.3.1 Heatsink Requirements**

The LM317-N regulators have internal thermal shutdown to protect the device from over-heating. Under all operating conditions, the junction temperature of the LM317-N must not exceed the rated maximum junction temperature ( $T_J$ ) of 150°C for the LM117, or 125°C for the LM317-N. A heatsink may be required depending on the maximum device power dissipation and the maximum ambient temperature of the application. To determine if a heatsink is needed, the power dissipated by the regulator,  $P_D$ , must be calculate with [Equation 3](#):

$$P_D = ((V_{IN} - V_{OUT}) \times I_L) + (V_{IN} \times I_G) \quad (3)$$

[Figure 38](#) shows the voltage and currents which are present in the circuit.

The next parameter which must be calculated is the maximum allowable temperature rise,  $T_{R(MAX)}$  in [Equation 4](#):

$$T_{R(MAX)} = T_{J(MAX)} - T_{A(MAX)} \quad (4)$$

where  $T_{J(MAX)}$  is the maximum allowable junction temperature (150°C for the LM117, or 125°C for the LM317-N), and  $T_{A(MAX)}$  is the maximum ambient temperature that will be encountered in the application.

Using the calculated values for  $T_{R(MAX)}$  and  $P_D$ , the maximum allowable value for the junction-to-ambient thermal resistance ( $\theta_{JA}$ ) can be calculated with [Equation 5](#):

$$\theta_{JA} = (T_{R(MAX)} / P_D) \quad (5)$$

## Thermal Considerations (continued)

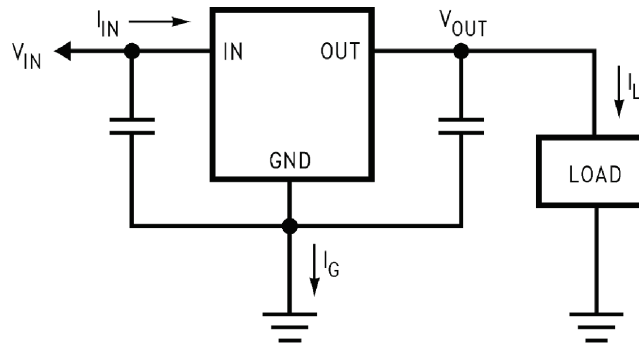


Figure 38. Power Dissipation Diagram

If the calculated maximum allowable thermal resistance is higher than the actual package rating, then no additional work is needed. If the calculated maximum allowable thermal resistance is lower than the actual package rating either the power dissipation ( $P_D$ ) needs to be reduced, the maximum ambient temperature  $T_{A(MAX)}$  needs to be reduced, the thermal resistance ( $\theta_{JA}$ ) must be lowered by adding a heatsink, or some combination of these.

If a heatsink is needed, the value can be calculated from Equation 6:

$$\theta_{HA} \leq (\theta_{JA} - (\theta_{CH} + \theta_{JC}))$$

where

- $\theta_{CH}$  is the thermal resistance of the contact area between the device case and the heatsink surface
  - $\theta_{JC}$  is thermal resistance from the junction of the die to surface of the package case
- (6)

When a value for  $\theta_{HA}$  is found using the equation shown, a heatsink must be selected that has a value that is less than, or equal to, this number.

The  $\theta_{HA}$  rating is specified numerically by the heatsink manufacturer in the catalog, or shown in a curve that plots temperature rise vs power dissipation for the heatsink.

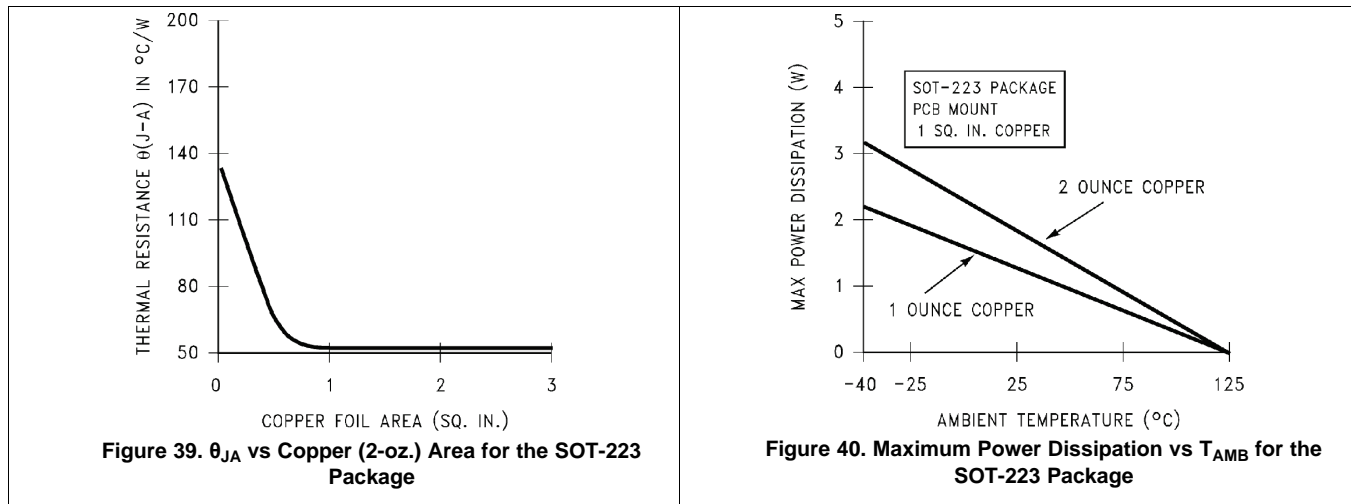
### 11.3.2 Heatsinking Surface Mount Packages

The TO-263 (KTT), SOT-223 (DCY) and TO-252 (NDP) packages use a copper plane on the PCB and the PCB itself as a heatsink. To optimize the heat sinking ability of the plane and PCB, solder the tab of the package to the plane.

#### 11.3.2.1 Heatsinking the SOT-223 (DCY) Package

Figure 39 and Figure 40 show the information for the SOT-223 package. Figure 40 assumes a  $\theta_{JA}$  of 74°C/W for 1-oz. copper and 59.6°C/W for 2-oz. copper and a maximum junction temperature of 125°C. See AN-1028 (SNVA036) for thermal enhancement techniques to be used with SOT-223 and TO-252 packages.

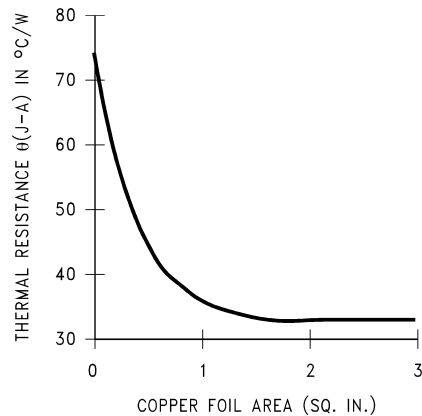
**Thermal Considerations (continued)**



**11.3.2.2 Heatsinking the TO-263 (KTT) Package**

Figure 41 shows for the TO-263 the measured values of  $\theta_{JA}$  for different copper area sizes using a typical PCB with 1-oz. copper and no solder mask over the copper area used for heatsinking.

As shown in Figure 41, increasing the copper area beyond 1 square inch produces very little improvement. It must also be observed that the minimum value of  $\theta_{JA}$  for the TO-263 package mounted to a PCB is 32°C/W.



**Figure 41.  $\theta_{JA}$  vs Copper (1-oz.) Area for the TO-263 Package**

As a design aid, Figure 42 shows the maximum allowable power dissipation compared to ambient temperature for the TO-263 device (assuming  $\theta_{JA}$  is 35°C/W and the maximum junction temperature is 125°C).

## Thermal Considerations (continued)

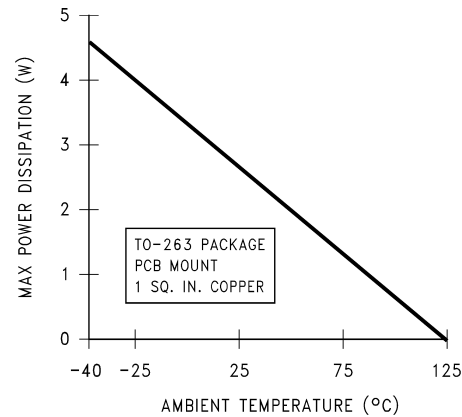


Figure 42. Maximum Power Dissipation vs  $T_{AMB}$  for the TO-263 Package

### 11.3.2.3 Heatsinking the TO-252 (NDP) Package

If the maximum allowable value for  $\theta_{JA}$  is found to be  $\geq 54^{\circ}\text{C}/\text{W}$  (typical rated value) for the TO-252 package, no heatsink is needed because the package alone will dissipate enough heat to satisfy these requirements. If the calculated value for  $\theta_{JA}$  falls below these limits, a heatsink is required.

As a design aid, [Table 2](#) shows the value of the  $\theta_{JA}$  of NDP the package for different heatsink area. The copper patterns that we used to measure these  $\theta_{JA}$ s are shown in [Figure 47](#). [Figure 43](#) reflects the same test results as what are in [Table 2](#).

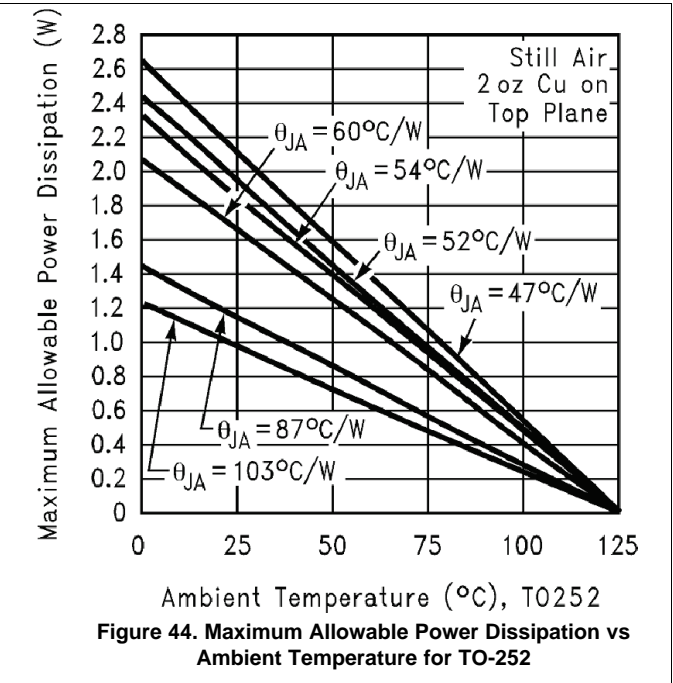
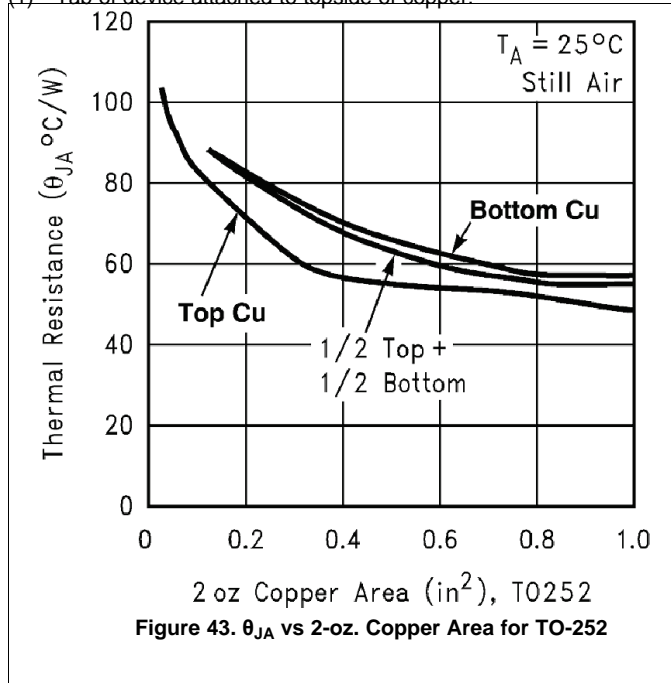
[Figure 44](#) shows the maximum allowable power dissipation versus ambient temperature for the TO-252 device. [Figure 45](#) shows the maximum allowable power dissipation versus copper area ( $\text{in}^2$ ) for the TO-252 device. See AN-1028 ([SNVA036](#)) for thermal enhancement techniques to be used with SOT-223 and TO-252 packages.

**Thermal Considerations (continued)**

**Table 2.  $\theta_{JA}$  Different Heatsink Area**

LAYOUT	COPPER AREA		THERMAL RESISTANCE ( $\theta_{JA}$ °C/W) TO-252
	Top Side (in <sup>2</sup> ) <sup>(1)</sup>	Bottom Side (in <sup>2</sup> )	
1	0.0123	0	103
2	0.066	0	87
3	0.3	0	60
4	0.53	0	54
5	0.76	0	52
6	1.0	0	47
7	0.066	0.2	84
8	0.066	0.4	70
9	0.066	0.6	63
10	0.066	0.8	57
11	0.066	1.0	57
12	0.066	0.066	89
13	0.175	0.175	72
14	0.284	0.284	61
15	0.392	0.392	55
16	0.5	0.5	53

(1) Tab of device attached to topside of copper.





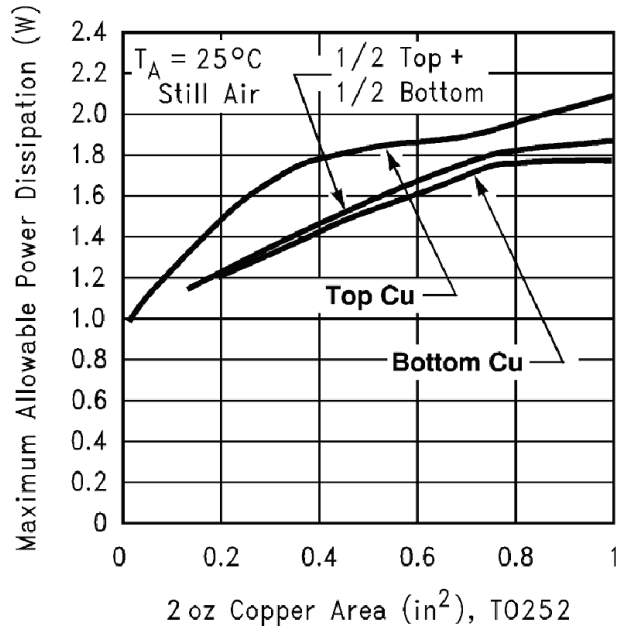


Figure 45. Maximum Allowable Power Dissipation vs 2-oz. Copper Area for TO-252

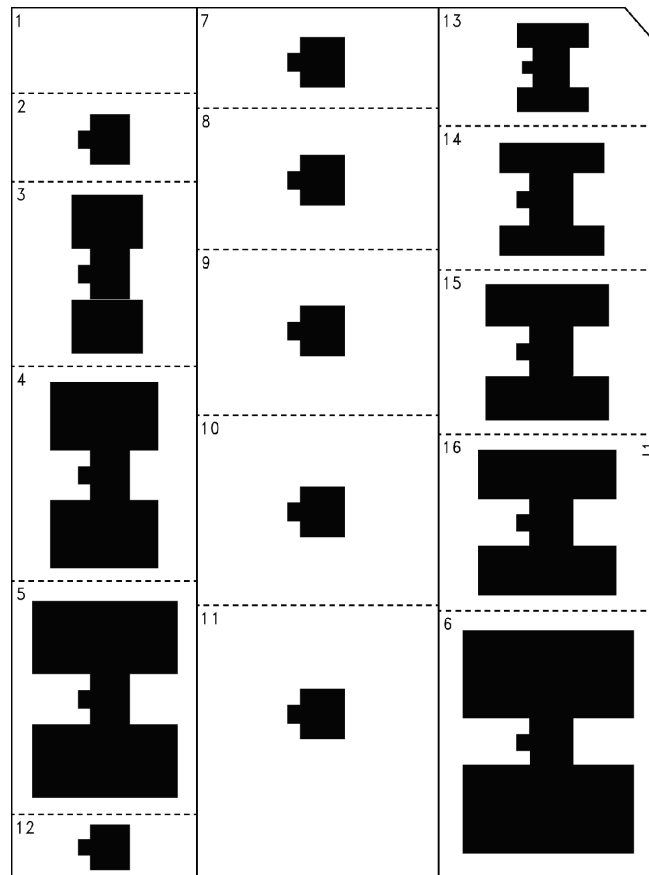
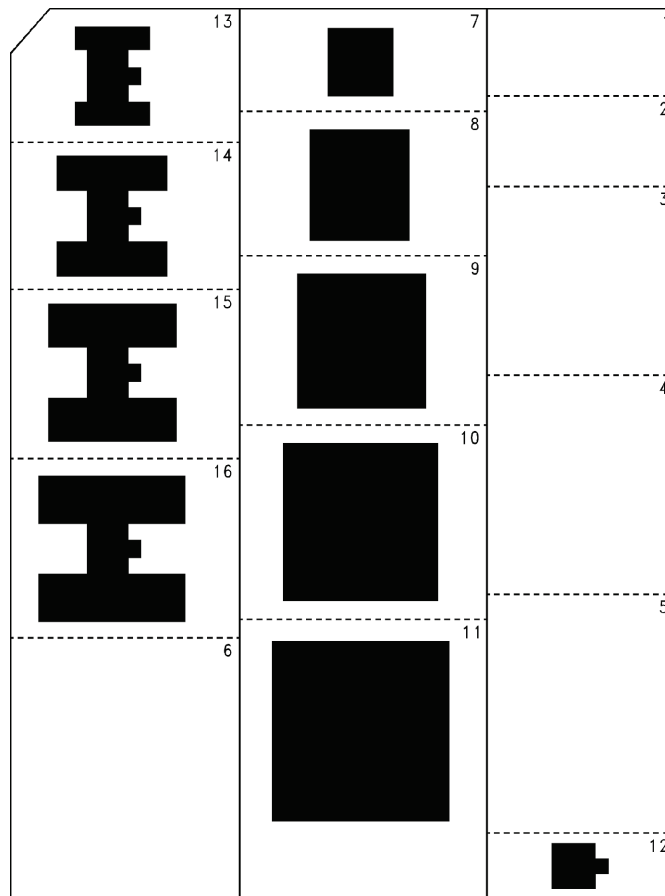


Figure 46. Top View of the Thermal Test Pattern in Actual Scale



**Figure 47. Bottom View of the Thermal Test Pattern in Actual Scale**

## 12 Device and Documentation Support

### 12.1 Documentation Support

#### 12.1.1 Related Documentation

- For applications requiring greater output current, see LM150 series (3A) ([SNVS772](#)) and LM138 series (5A) ([SNVS771](#)) data sheets.
- For the negative complement, see LM137 ([SNVS778](#)) series data sheet.
- For specifications and availability for military and space grades of LM117/883, see the LM117QML data sheet ([SNVS356](#)).
- Specifications and availability for military and space grades of LM117JAN can be found in the LM117 data sheet ([SNVS365](#)).
- For thermal enhancement techniques to be used with SOT-223 and TO-252 packages, see AN-1028, *Maximum Power Enhancement Techniques for Power Packages* ([SNVA036](#)).

### 12.2 Related Links

The table below lists quick access links. Categories include technical documents, support and community resources, tools and software, and quick access to sample or buy.

**Table 3. Related Links**

PARTS	PRODUCT FOLDER	SAMPLE & BUY	TECHNICAL DOCUMENTS	TOOLS & SOFTWARE	SUPPORT & COMMUNITY
LM117	<a href="#">Click here</a>	<a href="#">Click here</a>	<a href="#">Click here</a>	<a href="#">Click here</a>	<a href="#">Click here</a>
LM317-N	<a href="#">Click here</a>	<a href="#">Click here</a>	<a href="#">Click here</a>	<a href="#">Click here</a>	<a href="#">Click here</a>

### 12.3 Community Resources

The following links connect to TI community resources. Linked contents are provided "AS IS" by the respective contributors. They do not constitute TI specifications and do not necessarily reflect TI's views; see TI's [Terms of Use](#).

**TI E2E™ Online Community** *TI's Engineer-to-Engineer (E2E) Community*. Created to foster collaboration among engineers. At [e2e.ti.com](http://e2e.ti.com), you can ask questions, share knowledge, explore ideas and help solve problems with fellow engineers.

**Design Support** *TI's Design Support* Quickly find helpful E2E forums along with design support tools and contact information for technical support.

### 12.4 Trademarks

E2E is a trademark of Texas Instruments.  
 All other trademarks are the property of their respective owners.

### 12.5 Electrostatic Discharge Caution



These devices have limited built-in ESD protection. The leads should be shorted together or the device placed in conductive foam during storage or handling to prevent electrostatic damage to the MOS gates.

### 12.6 Glossary

[SLYZ022](#) — *TI Glossary*.




This glossary lists and explains terms, acronyms, and definitions.

## 13 Mechanical, Packaging, and Orderable Information

The following pages include mechanical, packaging, and orderable information. This information is the most current data available for the designated devices. This data is subject to change without notice and revision of this document. For browser-based versions of this data sheet, refer to the left-hand navigation.

**PACKAGING INFORMATION**

Orderable Device	Status (1)	Package Type	Package Drawing	Pins	Package Qty	Eco Plan (2)	Lead/Ball Finish (6)	MSL Peak Temp (3)	Op Temp (°C)	Device Marking (4/5)	Samples
LM117H	ACTIVE	TO	NDT	3	500	Green (RoHS & no Sb/Br)	Call TI	Level-1-NA-UNLIM	-55 to 150	( LM117HP+ ~ LM117HP+)	<a href="#">Samples</a>
LM117H MD8	ACTIVE	DIESALE	Y	0	196	Green (RoHS & no Sb/Br)	Call TI	Level-1-NA-UNLIM			<a href="#">Samples</a>
LM117H/NOPB	ACTIVE	TO	NDT	3	500	Green (RoHS & no Sb/Br)	Call TI	Level-1-NA-UNLIM	-55 to 150	( LM117HP+ ~ LM117HP+)	<a href="#">Samples</a>
LM117K STEEL	ACTIVE	TO-3	NDS	2	50	TBD	Call TI	Call TI	-55 to 150	LM117K STEELP+	<a href="#">Samples</a>
LM117K STEEL/NOPB	ACTIVE	TO-3	NDS	2	50	Green (RoHS & no Sb/Br)	Call TI	Level-1-NA-UNLIM	-55 to 150	LM117K STEELP+	<a href="#">Samples</a>
LM117KG MD8	ACTIVE	DIESALE	Y	0	196	Green (RoHS & no Sb/Br)	Call TI	Level-1-NA-UNLIM			<a href="#">Samples</a>
LM117KG-MW8	ACTIVE	WAFERSALE	YS	0	1	Green (RoHS & no Sb/Br)	Call TI	Level-1-NA-UNLIM			<a href="#">Samples</a>
LM317EMP	NRND	SOT-223	DCY	4	1000	TBD	Call TI	Call TI	0 to 125	N01A	
LM317EMP/NOPB	ACTIVE	SOT-223	DCY	4	1000	Green (RoHS & no Sb/Br)	CU SN	Level-1-260C-UNLIM	0 to 125	N01A	<a href="#">Samples</a>
LM317EMPX/NOPB	ACTIVE	SOT-223	DCY	4	2000	Green (RoHS & no Sb/Br)	CU SN	Level-1-260C-UNLIM	0 to 125	N01A	<a href="#">Samples</a>
LM317H	ACTIVE	TO	NDT	3	500	Green (RoHS & no Sb/Br)	Call TI	Level-1-NA-UNLIM	0 to 125	( LM317HP+ ~ LM317HP+)	<a href="#">Samples</a>
LM317H/NOPB	ACTIVE	TO	NDT	3	500	Green (RoHS & no Sb/Br)	Call TI	Level-1-NA-UNLIM	0 to 125	( LM317HP+ ~ LM317HP+)	<a href="#">Samples</a>
LM317K STEEL	ACTIVE	TO-3	NDS	2	50	TBD	Call TI	Call TI	0 to 125	LM317K STEELP+	<a href="#">Samples</a>
LM317K STEEL/NOPB	ACTIVE	TO-3	NDS	2	50	Green (RoHS & no Sb/Br)	Call TI	Level-1-NA-UNLIM	0 to 125	LM317K STEELP+	<a href="#">Samples</a>
LM317MDT/NOPB	ACTIVE	TO-252	NDP	3	75	Green (RoHS & no Sb/Br)	CU SN	Level-2-260C-1 YEAR	0 to 125	LM317 MDT	<a href="#">Samples</a>
LM317MDTX/NOPB	ACTIVE	TO-252	NDP	3	2500	Green (RoHS & no Sb/Br)	CU SN	Level-2-260C-1 YEAR	0 to 125	LM317 MDT	<a href="#">Samples</a>
LM317S/NOPB	ACTIVE	DDPAK/ TO-263	KTT	3	45	Pb-Free (RoHS Exempt)	CU SN	Level-3-245C-168 HR	0 to 125	LM317S P+	<a href="#">Samples</a>

Orderable Device	Status (1)	Package Type	Package Drawing	Pins	Package Qty	Eco Plan (2)	Lead/Ball Finish (6)	MSL Peak Temp (3)	Op Temp (°C)	Device Marking (4/5)	Samples
LM317SX/NOPB	ACTIVE	DDPAK/ TO-263	KTT	3	500	Pb-Free (RoHS Exempt)	CU SN	Level-3-245C-168 HR	0 to 125	LM317S P+	
LM317T	NRND	TO-220	NDE	3	45	TBD	Call TI	Call TI		LM317T P+	
LM317T/LF01	ACTIVE	TO-220	NDG	3	45	Pb-Free (RoHS Exempt)	CU SN	Level-4-260C-72 HR		LM317T P+	
LM317T/NOPB	ACTIVE	TO-220	NDE	3	45	Green (RoHS & no Sb/Br)	CU SN	Level-1-NA-UNLIM	0 to 125	LM317T P+	

(1) The marketing status values are defined as follows:

**ACTIVE:** Product device recommended for new designs.

**LIFEBUY:** TI has announced that the device will be discontinued, and a lifetime-buy period is in effect.

**NRND:** Not recommended for new designs. Device is in production to support existing customers, but TI does not recommend using this part in a new design.

**PREVIEW:** Device has been announced but is not in production. Samples may or may not be available.

**OBsolete:** TI has discontinued the production of the device.

(2) Eco Plan - The planned eco-friendly classification: Pb-Free (RoHS), Pb-Free (RoHS Exempt), or Green (RoHS & no Sb/Br) - please check <http://www.ti.com/productcontent> for the latest availability information and additional product content details.

**TBD:** The Pb-Free/Green conversion plan has not been defined.

**Pb-Free (RoHS):** TI's terms "Lead-Free" or "Pb-Free" mean semiconductor products that are compatible with the current RoHS requirements for all 6 substances, including the requirement that lead not exceed 0.1% by weight in homogeneous materials. Where designed to be soldered at high temperatures, TI Pb-Free products are suitable for use in specified lead-free processes.

**Pb-Free (RoHS Exempt):** This component has a RoHS exemption for either 1) lead-based flip-chip solder bumps used between the die and package, or 2) lead-based die adhesive used between the die and leadframe. The component is otherwise considered Pb-Free (RoHS compatible) as defined above.

**Green (RoHS & no Sb/Br):** TI defines "Green" to mean Pb-Free (RoHS compatible), and free of Bromine (Br) and Antimony (Sb) based flame retardants (Br or Sb do not exceed 0.1% by weight in homogeneous material)

(3) MSL, Peak Temp. - The Moisture Sensitivity Level rating according to the JEDEC industry standard classifications, and peak solder temperature.

(4) There may be additional marking, which relates to the logo, the lot trace code information, or the environmental category on the device.

(5) Multiple Device Markings will be inside parentheses. Only one Device Marking contained in parentheses and separated by a "~" will appear on a device. If a line is indented then it is a continuation of the previous line and the two combined represent the entire Device Marking for that device.

(6) Lead/Ball Finish - Orderable Devices may have multiple material finish options. Finish options are separated by a vertical ruled line. Lead/Ball Finish values may wrap to two lines if the finish value exceeds the maximum column width.

**Important Information and Disclaimer:** The information provided on this page represents TI's knowledge and belief as of the date that it is provided. TI bases its knowledge and belief on information provided by third parties, and makes no representation or warranty as to the accuracy of such information. Efforts are underway to better integrate information from third parties. TI has taken and

continues to take reasonable steps to provide representative and accurate information but may not have conducted destructive testing or chemical analysis on incoming materials and chemicals. TI and TI suppliers consider certain information to be proprietary, and thus CAS numbers and other limited information may not be available for release.

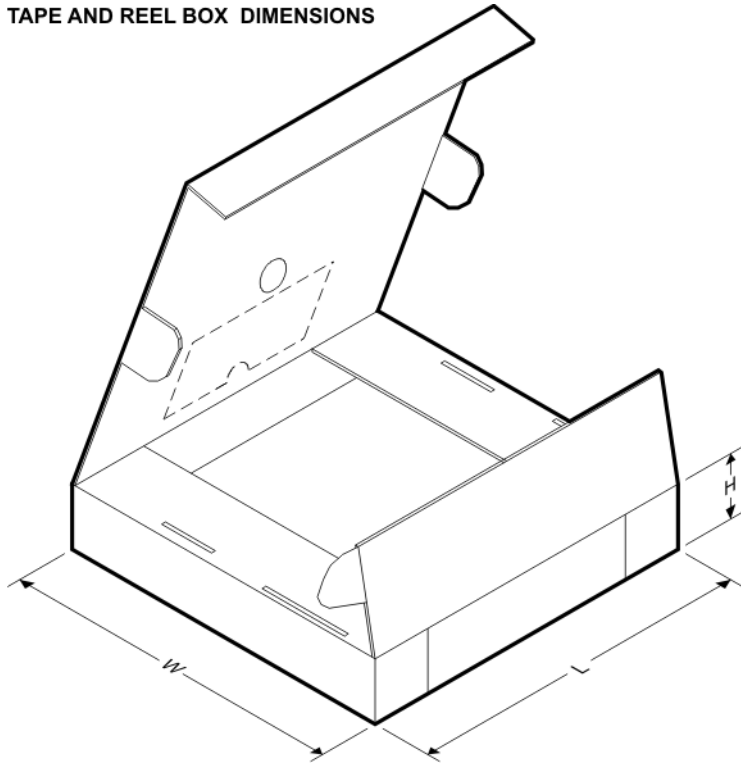
In no event shall TI's liability arising out of such information exceed the total purchase price of the TI part(s) at issue in this document sold by TI to Customer on an annual basis.

**TAPE AND REEL INFORMATION**

**QUADRANT ASSIGNMENTS FOR PIN 1 ORIENTATION IN TAPE**


\*All dimensions are nominal

Device	Package Type	Package Drawing	Pins	SPQ	Reel Diameter (mm)	Reel Width W1 (mm)	A0 (mm)	B0 (mm)	K0 (mm)	P1 (mm)	W (mm)	Pin1 Quadrant
LM317EMP	SOT-223	DCY	4	1000	330.0	16.4	7.0	7.5	2.2	12.0	16.0	Q3
LM317EMP/NOPB	SOT-223	DCY	4	1000	330.0	16.4	7.0	7.5	2.2	12.0	16.0	Q3
LM317EMPX/NOPB	SOT-223	DCY	4	2000	330.0	16.4	7.0	7.5	2.2	12.0	16.0	Q3
LM317MDTX/NOPB	TO-252	NDP	3	2500	330.0	16.4	6.9	10.5	2.7	8.0	16.0	Q2
LM317SX/NOPB	DDPAK/ TO-263	KTT	3	500	330.0	24.4	10.75	14.85	5.0	16.0	24.0	Q2

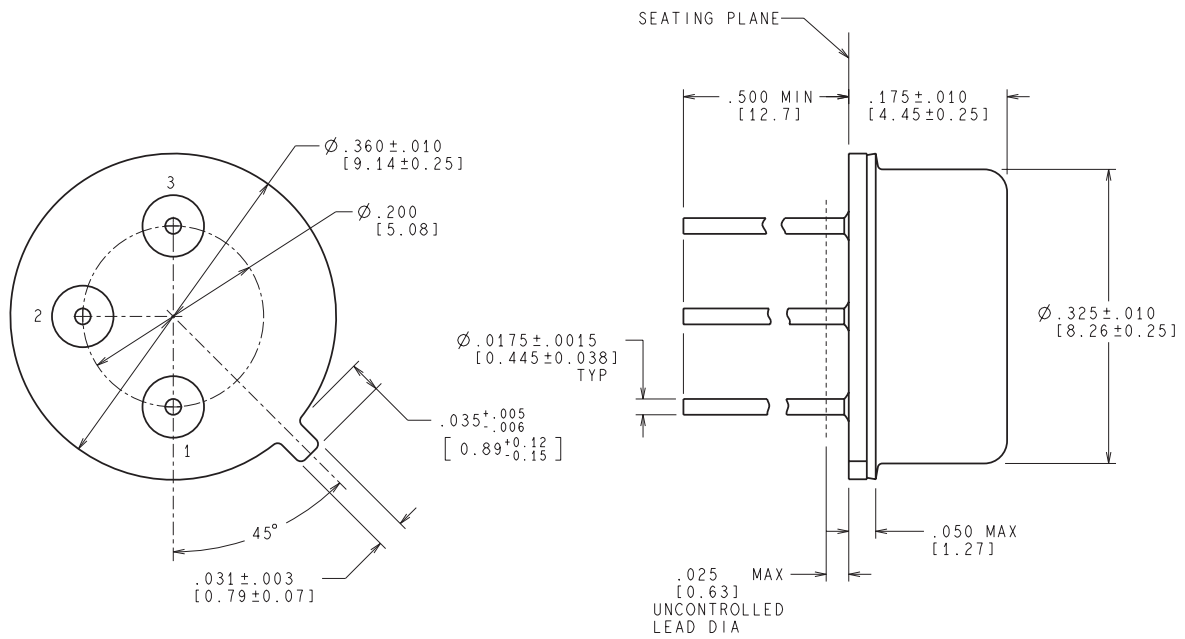
**TAPE AND REEL BOX DIMENSIONS**


\*All dimensions are nominal

Device	Package Type	Package Drawing	Pins	SPQ	Length (mm)	Width (mm)	Height (mm)
LM317EMP	SOT-223	DCY	4	1000	367.0	367.0	35.0
LM317EMP/NOPB	SOT-223	DCY	4	1000	367.0	367.0	35.0
LM317EMPX/NOPB	SOT-223	DCY	4	2000	367.0	367.0	35.0
LM317MDTX/NOPB	TO-252	NDP	3	2500	367.0	367.0	38.0
LM317SX/NOPB	DDPAK/TO-263	KTT	3	500	367.0	367.0	45.0



NDT0003A

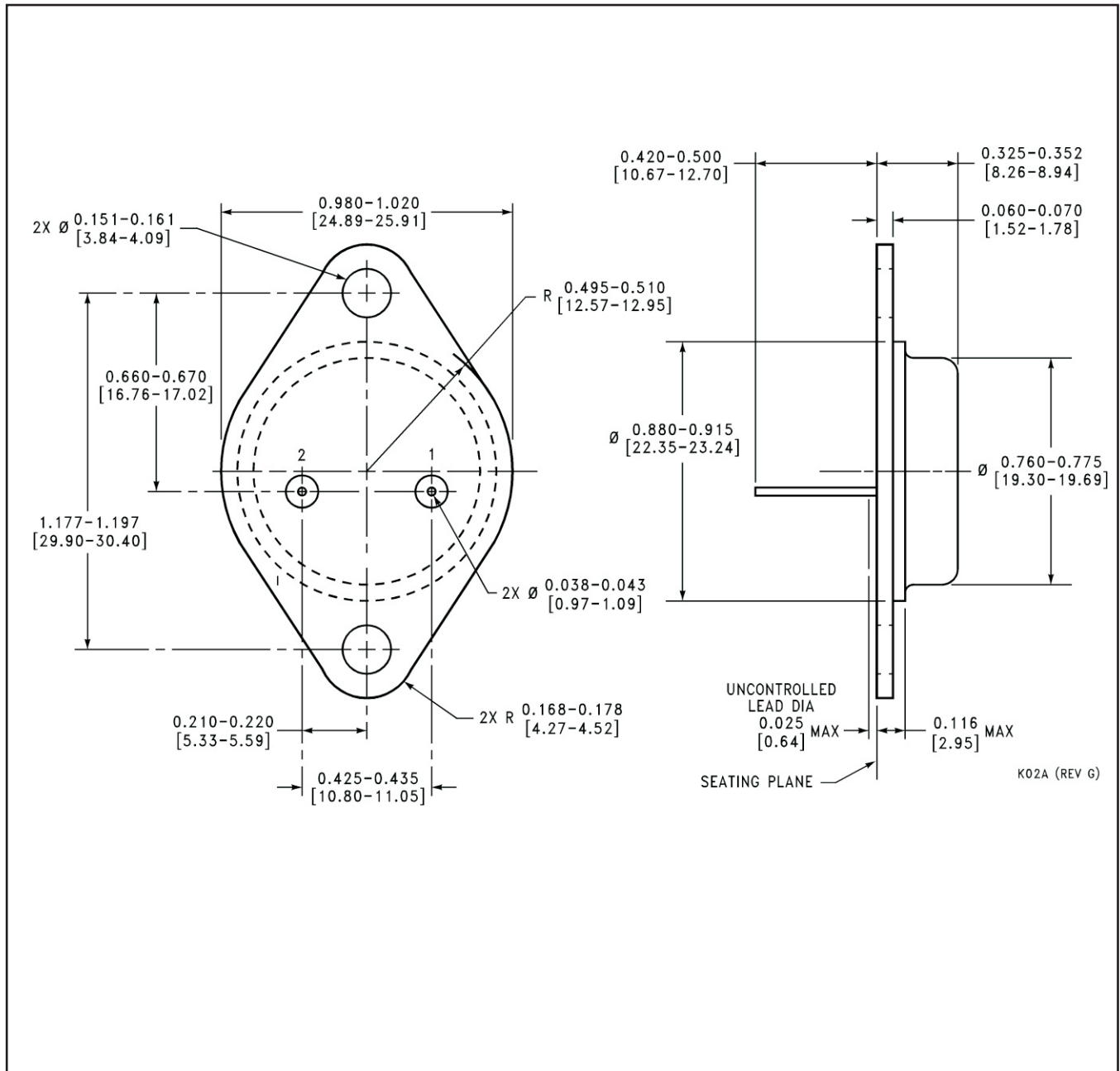


CONTROLLING DIMENSION IS INCH  
VALUES IN [ ] ARE MILLIMETERS

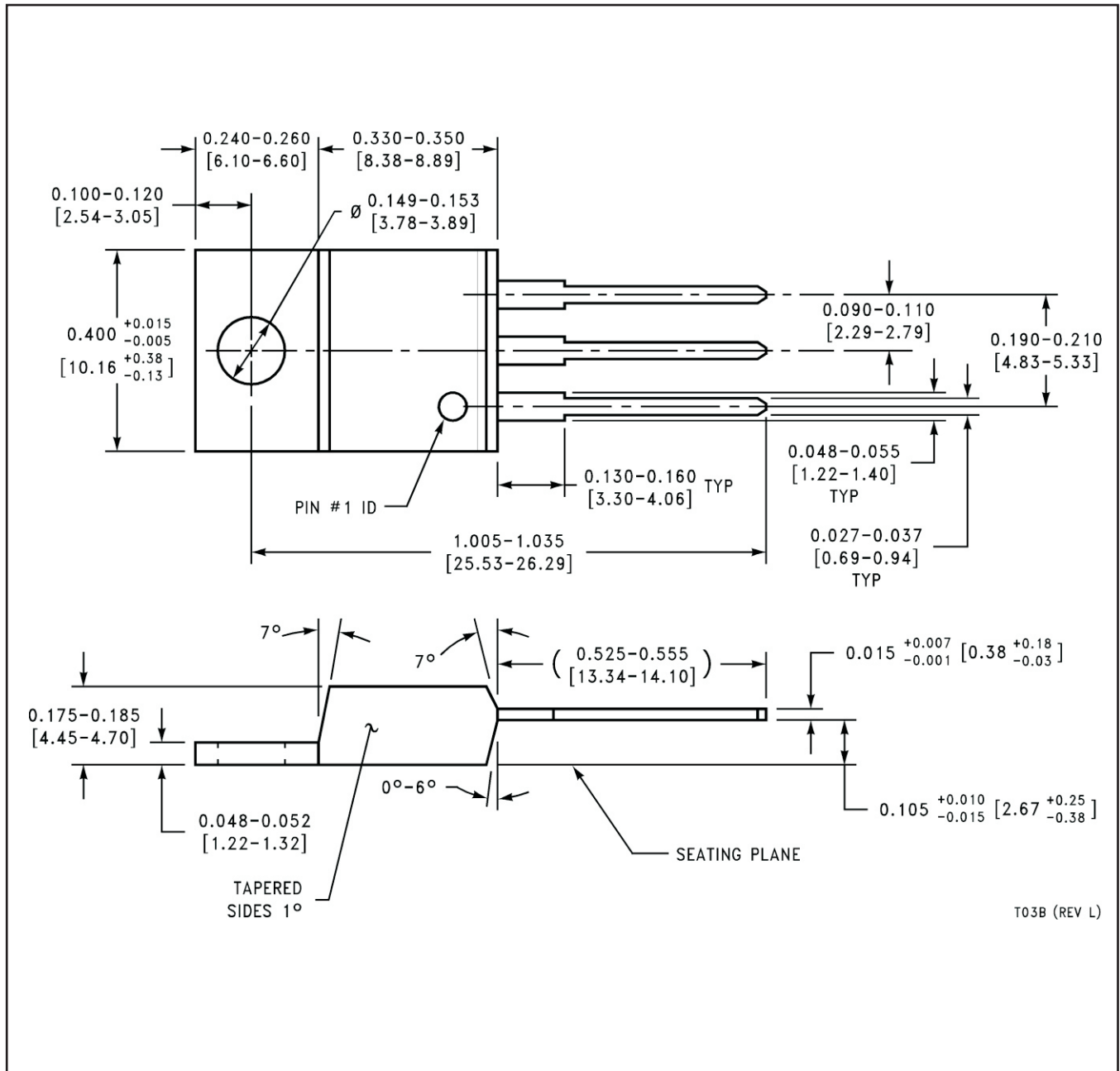
MIL-PRF-38535  
CONFIGURATION CONTROL

H03A (Rev D)

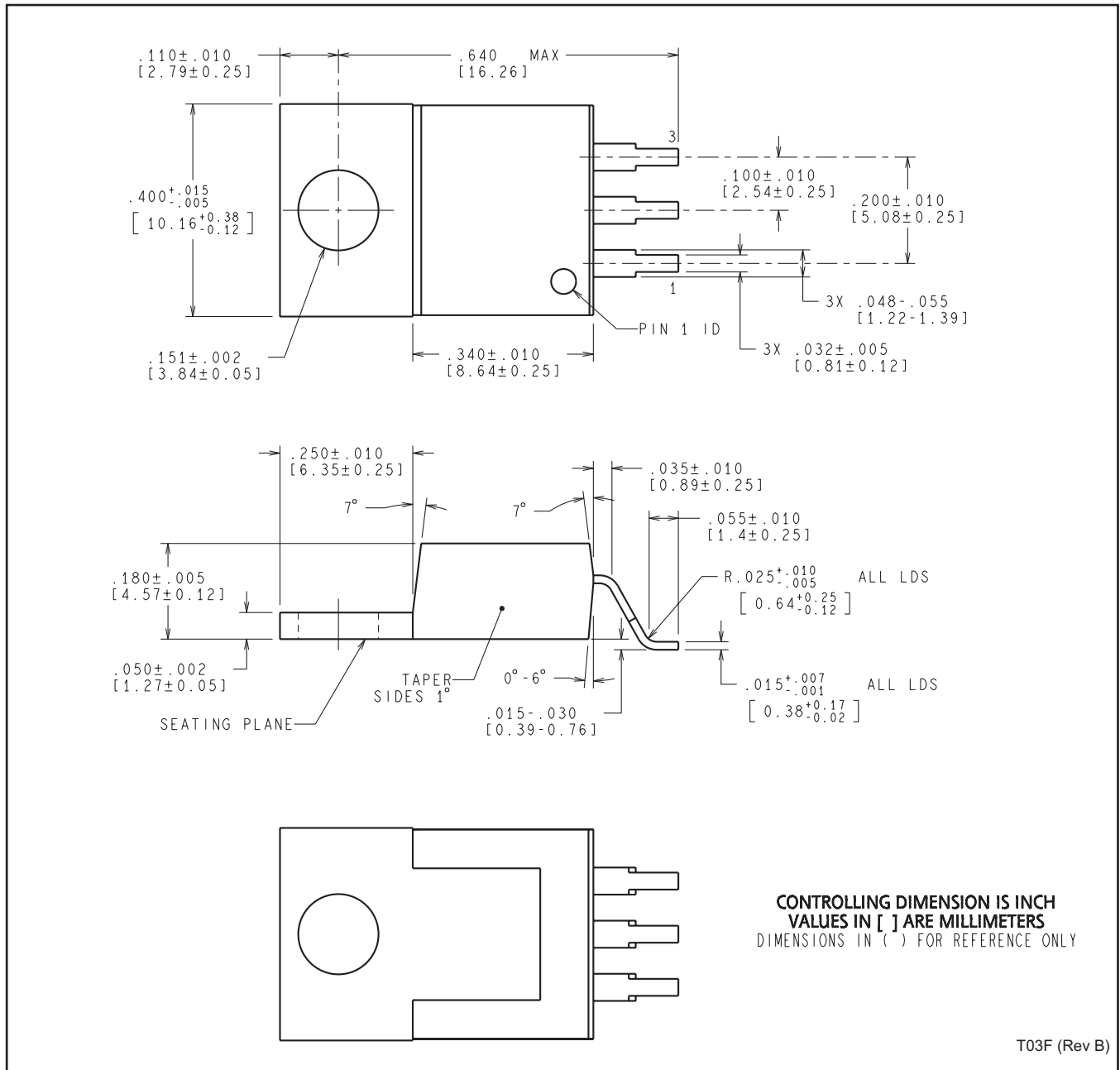
NDS0002A



NDE0003B

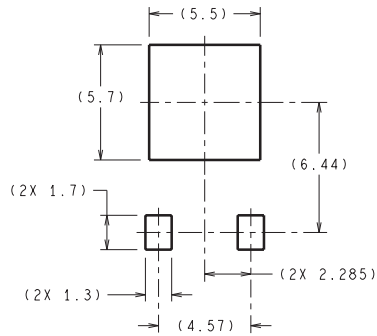


NDG0003F



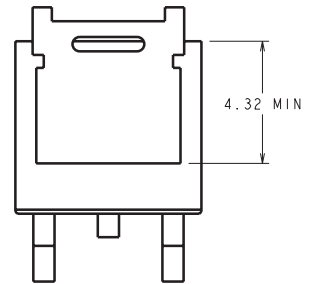
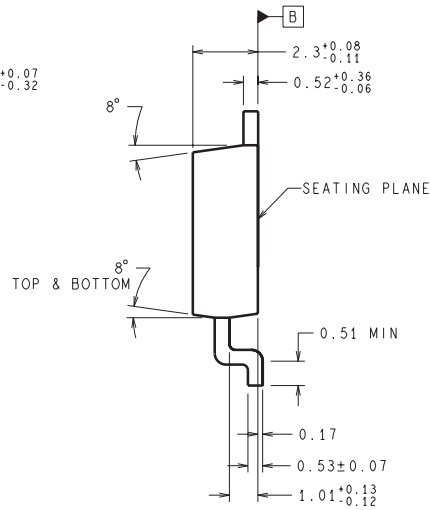
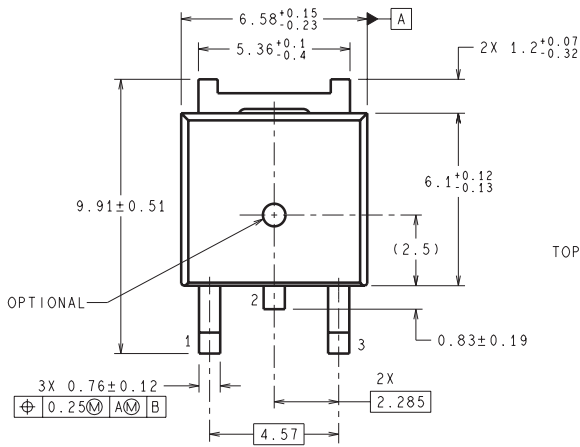
T03F (Rev B)

NDP0003B



DIMENSIONS ARE IN MILLIMETERS  
DIMENSIONS IN ( ) FOR REFERENCE ONLY

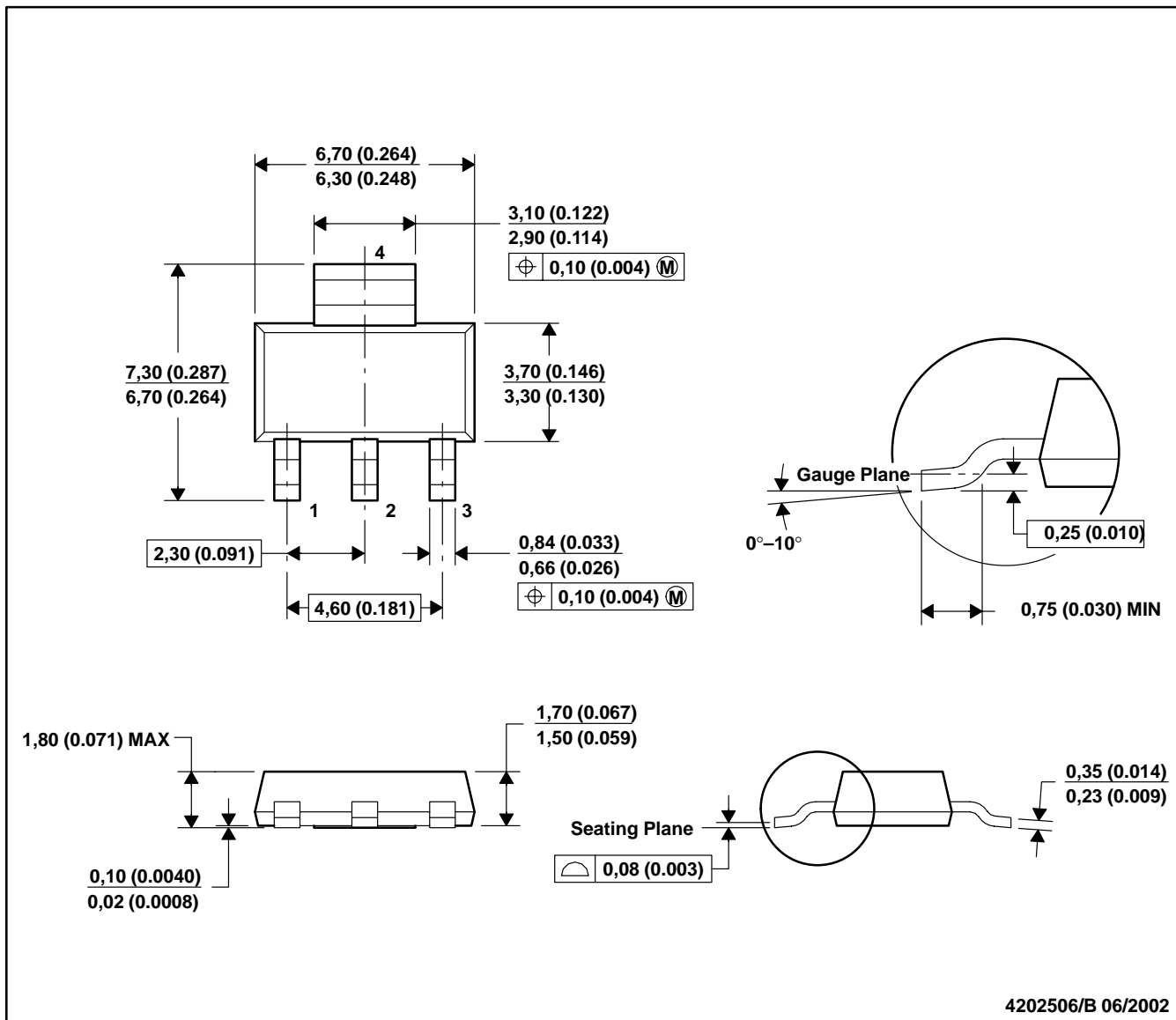
LAND PATTERN RECOMMENDATION



TD03B (Rev F)

DCY (R-PDSO-G4)

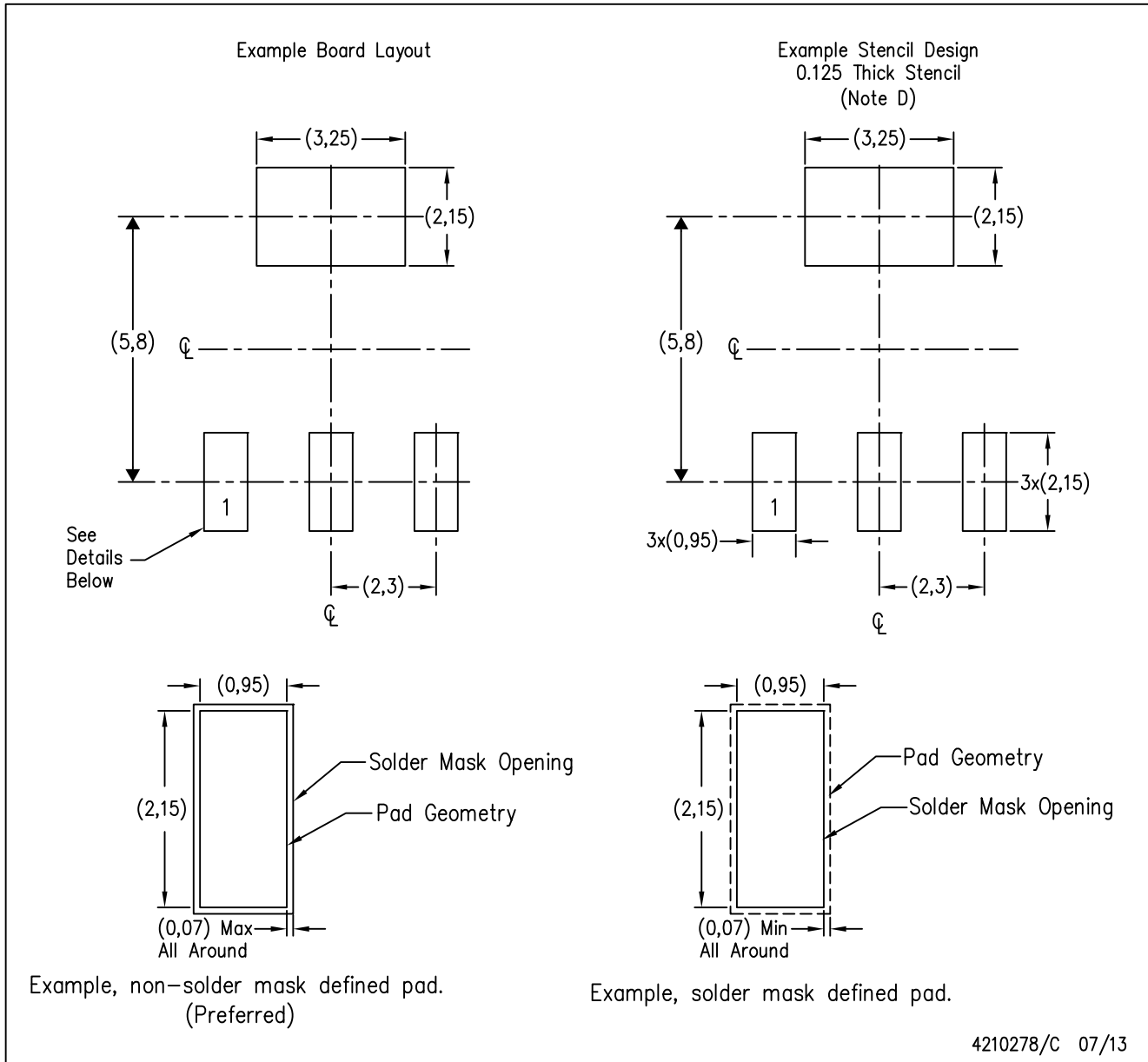
PLASTIC SMALL-OUTLINE



- NOTES: A. All linear dimensions are in millimeters (inches).  
 B. This drawing is subject to change without notice.  
 C. Body dimensions do not include mold flash or protrusion.  
 D. Falls within JEDEC TO-261 Variation AA.

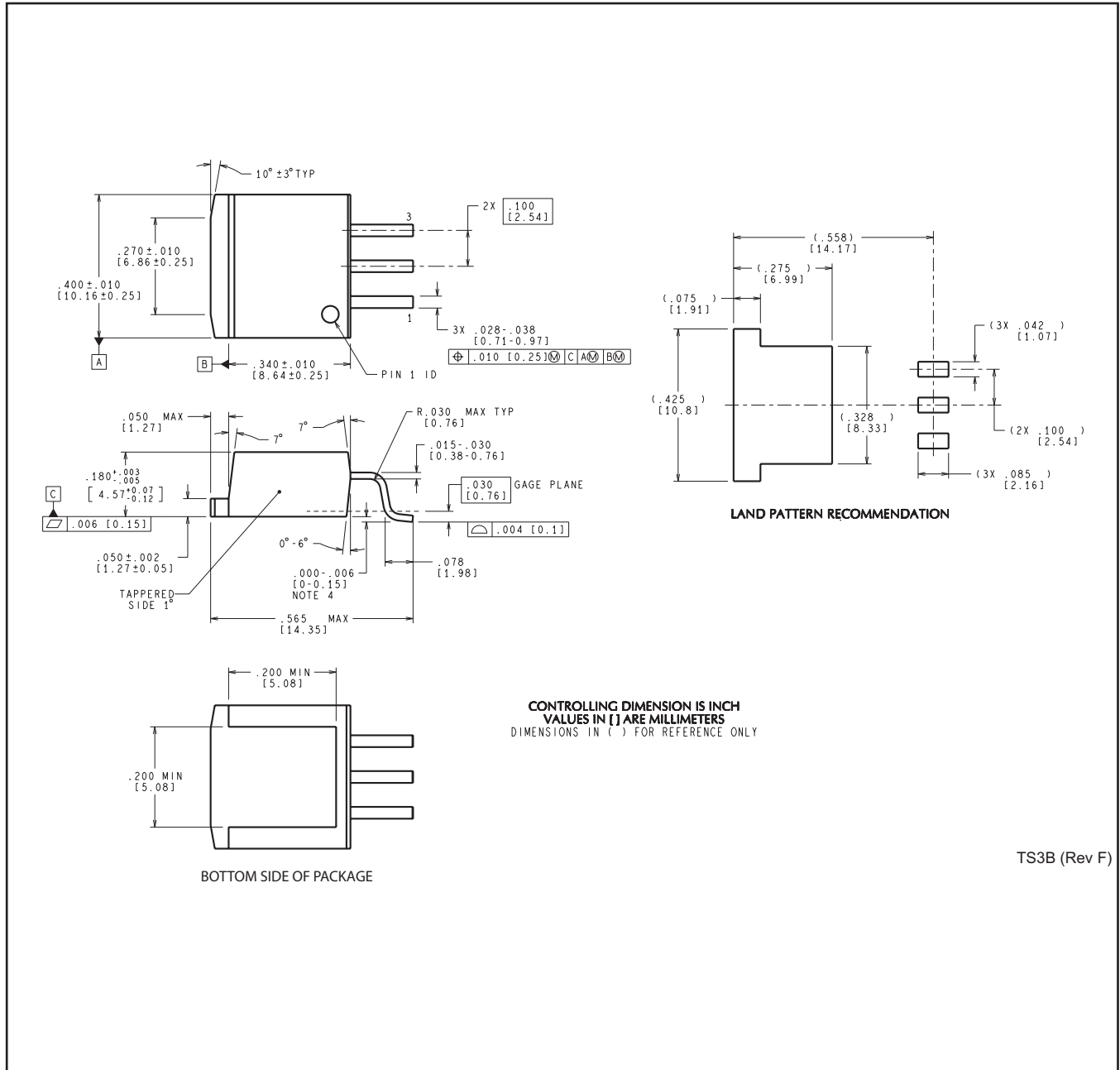
DCY (R-PDSO-G4)

PLASTIC SMALL OUTLINE



- NOTES:
- A. All linear dimensions are in millimeters.
  - B. This drawing is subject to change without notice.
  - C. Publication IPC-7351 is recommended for alternate designs.
  - D. Laser cutting apertures with trapezoidal walls and also rounding corners will offer better paste release. Customers should contact their board assembly site for stencil recommendations. Refer to IPC 7525 for stencil design considerations.

KTT0003B



TS3B (Rev F)



## IMPORTANT NOTICE

Texas Instruments Incorporated and its subsidiaries (TI) reserve the right to make corrections, enhancements, improvements and other changes to its semiconductor products and services per JESD46, latest issue, and to discontinue any product or service per JESD48, latest issue. Buyers should obtain the latest relevant information before placing orders and should verify that such information is current and complete. All semiconductor products (also referred to herein as "components") are sold subject to TI's terms and conditions of sale supplied at the time of order acknowledgment.

TI warrants performance of its components to the specifications applicable at the time of sale, in accordance with the warranty in TI's terms and conditions of sale of semiconductor products. Testing and other quality control techniques are used to the extent TI deems necessary to support this warranty. Except where mandated by applicable law, testing of all parameters of each component is not necessarily performed.

TI assumes no liability for applications assistance or the design of Buyers' products. Buyers are responsible for their products and applications using TI components. To minimize the risks associated with Buyers' products and applications, Buyers should provide adequate design and operating safeguards.

TI does not warrant or represent that any license, either express or implied, is granted under any patent right, copyright, mask work right, or other intellectual property right relating to any combination, machine, or process in which TI components or services are used. Information published by TI regarding third-party products or services does not constitute a license to use such products or services or a warranty or endorsement thereof. Use of such information may require a license from a third party under the patents or other intellectual property of the third party, or a license from TI under the patents or other intellectual property of TI.

Reproduction of significant portions of TI information in TI data books or data sheets is permissible only if reproduction is without alteration and is accompanied by all associated warranties, conditions, limitations, and notices. TI is not responsible or liable for such altered documentation. Information of third parties may be subject to additional restrictions.

Resale of TI components or services with statements different from or beyond the parameters stated by TI for that component or service voids all express and any implied warranties for the associated TI component or service and is an unfair and deceptive business practice. TI is not responsible or liable for any such statements.

Buyer acknowledges and agrees that it is solely responsible for compliance with all legal, regulatory and safety-related requirements concerning its products, and any use of TI components in its applications, notwithstanding any applications-related information or support that may be provided by TI. Buyer represents and agrees that it has all the necessary expertise to create and implement safeguards which anticipate dangerous consequences of failures, monitor failures and their consequences, lessen the likelihood of failures that might cause harm and take appropriate remedial actions. Buyer will fully indemnify TI and its representatives against any damages arising out of the use of any TI components in safety-critical applications.

In some cases, TI components may be promoted specifically to facilitate safety-related applications. With such components, TI's goal is to help enable customers to design and create their own end-product solutions that meet applicable functional safety standards and requirements. Nonetheless, such components are subject to these terms.

No TI components are authorized for use in FDA Class III (or similar life-critical medical equipment) unless authorized officers of the parties have executed a special agreement specifically governing such use.

Only those TI components which TI has specifically designated as military grade or "enhanced plastic" are designed and intended for use in military/aerospace applications or environments. Buyer acknowledges and agrees that any military or aerospace use of TI components which have **not** been so designated is solely at the Buyer's risk, and that Buyer is solely responsible for compliance with all legal and regulatory requirements in connection with such use.

TI has specifically designated certain components as meeting ISO/TS16949 requirements, mainly for automotive use. In any case of use of non-designated products, TI will not be responsible for any failure to meet ISO/TS16949.

### Products

Audio	<a href="http://www.ti.com/audio">www.ti.com/audio</a>
Amplifiers	<a href="http://amplifier.ti.com">amplifier.ti.com</a>
Data Converters	<a href="http://dataconverter.ti.com">dataconverter.ti.com</a>
DLP® Products	<a href="http://www.dlp.com">www.dlp.com</a>
DSP	<a href="http://dsp.ti.com">dsp.ti.com</a>
Clocks and Timers	<a href="http://www.ti.com/clocks">www.ti.com/clocks</a>
Interface	<a href="http://interface.ti.com">interface.ti.com</a>
Logic	<a href="http://logic.ti.com">logic.ti.com</a>
Power Mgmt	<a href="http://power.ti.com">power.ti.com</a>
Microcontrollers	<a href="http://microcontroller.ti.com">microcontroller.ti.com</a>
RFID	<a href="http://www.ti-rfid.com">www.ti-rfid.com</a>
OMAP Applications Processors	<a href="http://www.ti.com/omap">www.ti.com/omap</a>
Wireless Connectivity	<a href="http://www.ti.com/wirelessconnectivity">www.ti.com/wirelessconnectivity</a>

### Applications

Automotive and Transportation	<a href="http://www.ti.com/automotive">www.ti.com/automotive</a>
Communications and Telecom	<a href="http://www.ti.com/communications">www.ti.com/communications</a>
Computers and Peripherals	<a href="http://www.ti.com/computers">www.ti.com/computers</a>
Consumer Electronics	<a href="http://www.ti.com/consumer-apps">www.ti.com/consumer-apps</a>
Energy and Lighting	<a href="http://www.ti.com/energy">www.ti.com/energy</a>
Industrial	<a href="http://www.ti.com/industrial">www.ti.com/industrial</a>
Medical	<a href="http://www.ti.com/medical">www.ti.com/medical</a>
Security	<a href="http://www.ti.com/security">www.ti.com/security</a>
Space, Avionics and Defense	<a href="http://www.ti.com/space-avionics-defense">www.ti.com/space-avionics-defense</a>
Video and Imaging	<a href="http://www.ti.com/video">www.ti.com/video</a>

### TI E2E Community

[e2e.ti.com](http://e2e.ti.com)

# Mouser Electronics

Authorized Distributor

Click to View Pricing, Inventory, Delivery & Lifecycle Information:

## Texas Instruments:

[LM317EMP](#) [LM317EMP/NOPB](#) [LM317EMPX/NOPB](#) [LM317H](#) [LM317H/NOPB](#) [LM317MDT/NOPB](#)  
[LM317MDTX/NOPB](#) [LM317S/NOPB](#) [LM317SX/NOPB](#) [LM317T](#) [LM317T/LF01](#) [LM317T/NOPB](#)