

**CONNECT AND PROTECT**

# Front Panels

12/2022

  
nvent

**SCHROFF**

# Modules – Front panels

**OVERVIEW**

**MAIN KATALOG**

Cabinets ..... 1

Wall mounted cases ..... 2

Accessories for cabinets and wall mounted cases .. 3

Climate control .. 4

Electronics cases ..... 5

Subracks/ 19" chassis ..... 6

Front panels, plug-in units .... 7

Systems ..... 8

Power supply units ..... 9

Backplanes .... 10

Connectors, front panel component system ..... 11

Appendix ..... 12



04292001

**STANDARDS**

- IEC 60297-3-101/IEEE 1101.1/10

**SERVICEPLUS**

- e.g. individual colouring
- e.g. customised cut-outs
- e.g. printing
- e.g. mounting service
- e.g. special dimensions



32304003

04210001 04603009

# Modules – Front panels

## OVERVIEW

### FRONT PANELS FOR FITTING IN SUBRACKS, CASES AND SYSTEMS

- Extensive standard range with various finishes and materials (aluminium or stainless steel)
- Front Panel Express:  
Fast delivery service of customised versions (from 2 days)
- EMC shielding retrofittable

Overview ..... 7.2



04292001

#### FRONT PANELS, UNSHIELDED

- Aluminium, clear anodised
- Aluminium, clear pre-anodised, cut edge untreated
- Aluminium, front anodised, rear iridescent green chromated
- Other finishes on request

Front panels

Unshielded ..... 7.4

Shieldable ..... 7.5

EMC stainless steel gaskets ..... 7.6

Assembly tool ..... 7.6



04600006

#### FRONT PANELS SHIELDABLE, FLAT

- With lateral grooves to fit EMC gaskets (stainless steel)
- Compatible with the shielded U profile version



#### FRONT PANELS, SHIELDABLE, U PROFILE

- With lateral groove to fix a textile self-adhesive EMC gasket
- Compatible with the shielded flat version
- High robustness through U profile

Front panels

Shieldable (U profile) ..... 7.7

EMC textile gasket . 7.6

Further front panels

Hinged ..... 7.8

Hinged, shielded ... 7.9

For D-Sub connectors ..... 7.10

For Coax connectors ..... 7.11

3 U with GND/earthing ..... 7.11

Mezzanine front panels ..... 7.12

Assembly kit ..... 7.107

AdvancedTCA front panels ..... 8.12

MicroTCA front panels ..... 8.65

AdvancedMC front panels ..... 8.60



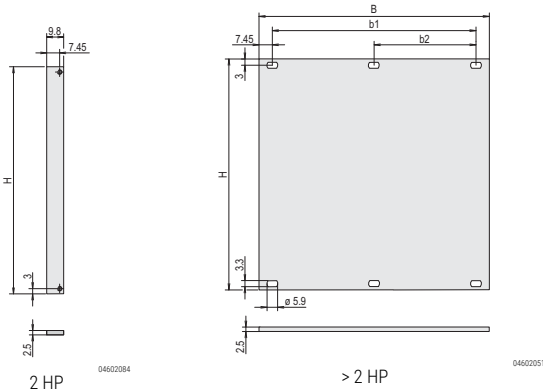
#### FURTHER FRONT PANELS

- Hinged/folding front panels
- Front panels with GND/earthing
- Mezzanine front panels
- AdvancedTCA front panels
- MicroTCA front panels
- AdvancedMC front panels



# Modules – Front panels

## FRONT PANELS, UNSHIELDED



- Front panel, Al, 2.5 mm
- Versions:
  - Al, anodised
  - Al, anodised, cut edges plain
  - Al, front anodised, rear conductive
- Please order fixing material (sleeves, collar screws) separately, see page 7.107

### NOTE

- Other sizes and finishes available on request
- Please order fixing material separately, see chapter Assembly parts, page 7.107

### ORDER INFORMATION

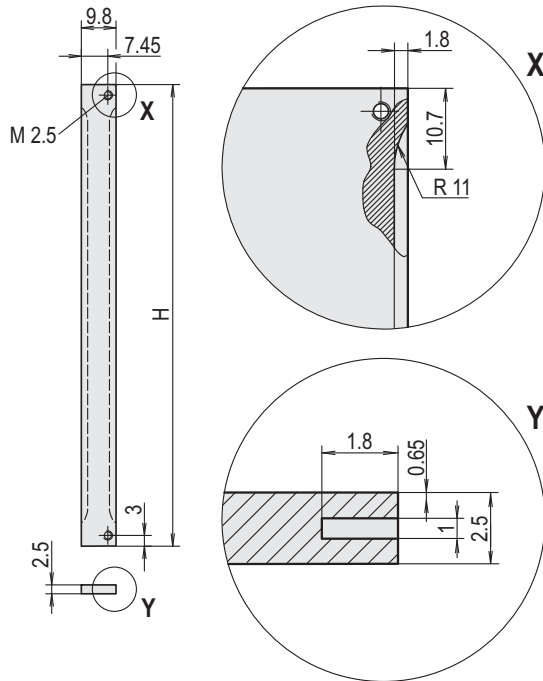
Height	H	Width	B	b1	b2	Qty	Anodised, cut edges plain	Anodised	Front anodised, rear conductive
U	mm	HP	mm	mm	mm	1)	Part no.	Part no.	Part no.
1	39.5	84	426.4	411.5	203.2	1	–	–	<b>20850-426</b>
2	84.0	28	141.9	127.0	–	1 (SPQ 5) <sup>1)</sup>	–	–	<b>30847-458</b>
2	84.0	42	213.0	198.1	101.6	1	–	–	<b>30847-459</b>
2	84.0	63	319.7	304.8	157.5	1	–	–	<b>30847-460</b>
2	84.0	84	426.4	411.5	203.2	1	<b>30818-271</b>	<b>30807-416</b>	<b>30847-461</b>
3	128.4	2	9.8	–	–	1 (SPQ 5) <sup>1)</sup>	<b>30810-433</b>	<b>30810-432</b>	<b>30847-470</b>
3	128.4	3	14.9	–	–	1 (SPQ 5) <sup>1)</sup>	<b>30818-272</b>	<b>30807-508</b>	<b>30847-471</b>
3	128.4	4	20.0	–	–	1 (SPQ 5) <sup>1)</sup>	<b>30818-273</b>	<b>30807-481</b>	<b>30838-043</b>
3	128.4	5	25.0	–	–	1 (SPQ 5) <sup>1)</sup>	<b>30818-274</b>	<b>30807-510</b>	<b>30838-044</b>
3	128.4	6	30.1	–	–	1 (SPQ 5) <sup>1)</sup>	<b>30818-275</b>	<b>30807-482</b>	<b>30838-045</b>
3	128.4	7	35.2	–	–	1 (SPQ 5) <sup>1)</sup>	<b>30818-276</b>	<b>30807-509</b>	<b>30838-046</b>
3	128.4	8	40.3	25.4 <sup>2)</sup>	–	1 (SPQ 5) <sup>1)</sup>	<b>30818-277</b>	<b>30807-484</b>	<b>30838-047</b>
3	128.4	10	50.5	35.6	–	1 (SPQ 5) <sup>1)</sup>	<b>30818-279</b>	<b>30807-483</b>	<b>30838-049</b>
3	128.4	12	60.6	45.7	–	1 (SPQ 5) <sup>1)</sup>	<b>30818-281</b>	<b>30807-485</b>	<b>30838-051</b>
3	128.4	14	70.8	55.9	–	1 (SPQ 5) <sup>1)</sup>	<b>30818-282</b>	<b>30807-501</b>	<b>30838-053</b>
3	128.4	21	106.3	91.4	–	1 (SPQ 5) <sup>1)</sup>	<b>30818-289</b>	<b>30807-487</b>	<b>30838-060</b>
3	128.4	28	141.9	127.0	–	1 (SPQ 5) <sup>1)</sup>	<b>30818-296</b>	<b>30807-496</b>	<b>30838-067</b>
3	128.4	42	213.0	198.1	101.6 <sup>2)</sup>	1	<b>30818-310</b>	<b>30807-494</b>	<b>30838-081</b>
3	128.4	63	319.7	304.8	157.5	1	<b>30818-331</b>	<b>30808-067</b>	<b>30838-102</b>
3	128.4	84	426.4	411.5	203.2	1	<b>30818-352</b>	<b>30807-506</b>	<b>30838-123</b>
4	172.9	28	141.9	127.0	–	1 (SPQ 5) <sup>1)</sup>	–	–	<b>30847-462</b>
4	172.9	42	213.0	198.1	101.6 <sup>2)</sup>	1	–	–	<b>30847-463</b>
4	172.9	63	319.7	304.8	157.5	1	–	–	<b>30847-464</b>
4	172.9	84	426.4	411.5	203.2	1	<b>30818-434</b>	<b>30807-596</b>	<b>30847-465</b>
5	217.4	28	141.9	127.0	–	1 (SPQ 5)	–	–	<b>30847-466</b>
5	217.4	42	213.0	198.1	101.6 <sup>2)</sup>	1 <sup>1)</sup>	–	–	<b>30847-467</b>
5	217.4	63	319.7	304.8	157.5	1	–	–	<b>30847-468</b>
5	217.4	84	426.4	411.5	203.2	1	–	–	<b>30847-469</b>
6	261.8	2	9.8	–	–	1 (SPQ 5) <sup>1)</sup>	<b>30818-747</b>	<b>30818-741</b>	<b>30847-472</b>
6	261.8	4	20.0	–	–	1 (SPQ 5) <sup>1)</sup>	<b>30818-518</b>	<b>30807-778</b>	<b>30838-124</b>
6	261.8	5	25.0	–	–	1 (SPQ 5) <sup>1)</sup>	<b>30818-519</b>	<b>30807-777</b>	<b>30838-125</b>
6	261.8	6	30.1	–	–	1 (SPQ 5) <sup>1)</sup>	<b>30818-520</b>	<b>30807-752</b>	<b>30838-126</b>
6	261.8	7	35.2	–	–	1 (SPQ 5) <sup>1)</sup>	<b>30818-521</b>	–	<b>30838-127</b>
6	261.8	8	40.3	25.4 <sup>2)</sup>	–	1 (SPQ 5) <sup>1)</sup>	<b>30818-522</b>	<b>30807-779</b>	<b>30838-128</b>
6	261.8	10	50.5	35.6	–	1 (SPQ 5) <sup>1)</sup>	<b>30818-524</b>	<b>30807-753</b>	<b>30838-130</b>
6	261.8	12	60.6	45.7	–	1 (SPQ 5) <sup>1)</sup>	<b>30818-526</b>	<b>30807-755</b>	<b>30838-132</b>
6	261.8	14	70.8	55.9	–	1 (SPQ 5) <sup>1)</sup>	<b>30818-528</b>	<b>30807-758</b>	<b>30838-134</b>
6	261.8	16	80.9	66.0	–	1 (SPQ 5) <sup>1)</sup>	<b>30818-530</b>	<b>30807-780</b>	<b>30838-136</b>
6	261.8	21	106.3	91.4	–	1 (SPQ 5) <sup>1)</sup>	<b>30818-535</b>	<b>30807-757</b>	<b>30838-141</b>
6	261.8	28	141.9	127.0	–	1 (SPQ 5) <sup>1)</sup>	<b>30818-542</b>	<b>30807-766</b>	<b>30838-148</b>
6	261.8	42	213.0	198.1	101.6 <sup>2)</sup>	1	<b>30818-556</b>	<b>30807-764</b>	<b>30838-162</b>
6	261.8	63	319.7	304.8	157.5	1	<b>30818-577</b>	<b>30807-771</b>	<b>30838-183</b>
6	261.8	84	426.4	411.5	203.2	1	<b>30818-598</b>	<b>30807-776</b>	<b>30838-204</b>
9	395.1	84	426.4	411.5	203.2	1	–	–	<b>30847-556</b>

1) SPQ (standard pack quantity): Part number includes 1 piece, but delivery is exclusively made in standard pack quantity (SPQ); please order at least the SPQ quantity or a multiple

2) This dimension is only available for "front anodised, rear iridescent green chromated" version

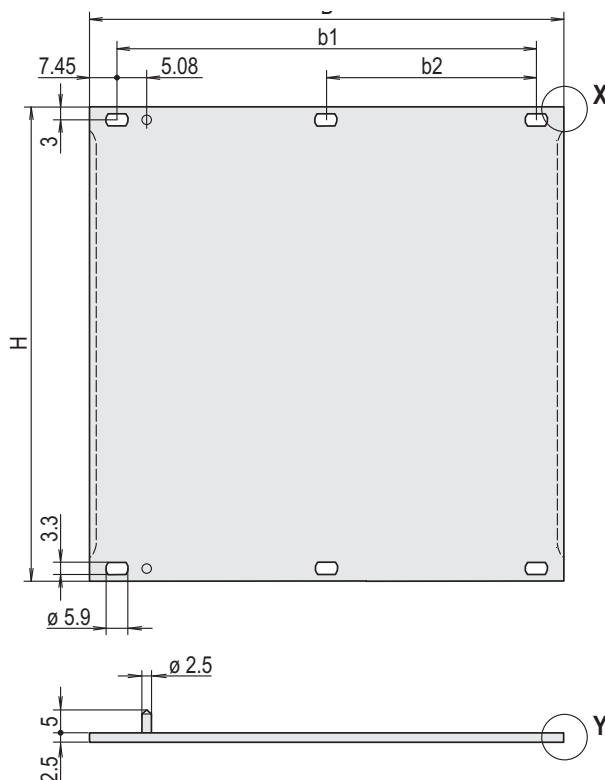
# Modules – Front panels

## FRONT PANELS, SHIELDABLE



2 HP

04602052



> 2 HP

04608154

- Front panel, Al, 2.5 mm, front anodised, rear iridescent green chromated, 2 alignment pins pressed-in, stainless steel
- Shielding with stainless steel EMC gasket

### ORDER INFORMATION

Height H U	mm	Width HP	B mm	b1 mm	b2 mm	Align- ment pin	Qty	Part no.
2	84	84	426.4	411.5	203.2	-	1	<b>30846-588</b>
3	128.4	2	9.8	-	-	-	1 (SPQ 5) <sup>1)</sup>	<b>30846-864</b>
3	128.4	3	14.9	-	-	x	1 (SPQ 5) <sup>1)</sup>	<b>20846-425</b>
3	128.4	4	20	-	-	x	1 (SPQ 5) <sup>1)</sup>	<b>20846-426</b>
3	128.4	5	25	-	-	x	1 (SPQ 5) <sup>1)</sup>	<b>20846-427</b>
3	128.4	6	30.1	-	-	x	1 (SPQ 5) <sup>1)</sup>	<b>20846-428</b>
3	128.4	7	35.2	-	-	x	1 (SPQ 5) <sup>1)</sup>	<b>20846-429</b>
3	128.4	8	40.3	25.4	-	x	1 (SPQ 5) <sup>1)</sup>	<b>20846-430</b>
3	128.4	10	50.5	35.6	-	x	1 (SPQ 5) <sup>1)</sup>	<b>20846-431</b>
3	128.4	12	60.6	45.7	-	x	1 (SPQ 5) <sup>1)</sup>	<b>20846-432</b>
3	128.4	14	70.8	55.9	-	x	1 (SPQ 5) <sup>1)</sup>	<b>20846-433</b>
3	128.4	21	106.3	91.4	-	x	1 (SPQ 5) <sup>1)</sup>	<b>20846-434</b>
3	128.4	28	141.9	127	-	x	1 (SPQ 5) <sup>1)</sup>	<b>20846-436</b>
3	128.4	42	213	198.1	101.6	x	1	<b>20846-437</b>
3	128.4	63	319.7	304.8	157.5	x	1	<b>20846-438</b>
3	128.4	84	426.4	411.5	203.2	-	1	<b>30846-676</b>
4	172.9	84	426.4	411.5	203.2	-	1	<b>30846-683</b>
6	261.8	2	9.8	-	-	-	1 (SPQ 5) <sup>1)</sup>	<b>30846-865</b>
6	261.8	4	20	-	-	x	1 (SPQ 5) <sup>1)</sup>	<b>20846-443</b>
6	261.8	5	25	-	-	x	1 (SPQ 5) <sup>1)</sup>	<b>20846-444</b>
6	261.8	6	30.1	-	-	x	1 (SPQ 5) <sup>1)</sup>	<b>20846-445</b>
6	261.8	7	35.2	-	-	x	1 (SPQ 5) <sup>1)</sup>	<b>20846-446</b>
6	261.8	8	40.3	25.4	-	x	1 (SPQ 5) <sup>1)</sup>	<b>20846-447</b>
6	261.8	10	50.5	35.6	-	x	1 (SPQ 5) <sup>1)</sup>	<b>20846-448</b>
6	261.8	12	60.6	45.7	-	x	1 (SPQ 5) <sup>1)</sup>	<b>20846-449</b>
6	261.8	14	70.8	55.9	-	x	1 (SPQ 5) <sup>1)</sup>	<b>20846-450</b>
6	261.8	16	80.9	66	-	x	1 (SPQ 5) <sup>1)</sup>	<b>20846-456</b>
6	261.8	21	106.3	91.4	-	x	1 (SPQ 5) <sup>1)</sup>	<b>20846-451</b>
6	261.8	28	141.9	127	-	x	1 (SPQ 5) <sup>1)</sup>	<b>20846-452</b>
6	261.8	42	213	198.1	101.6	x	1	<b>20846-453</b>
6	261.8	63	319.7	304.8	157.5	x	1	<b>20846-454</b>
6	261.8	84	426.4	411.5	203.2	-	1	<b>30846-771</b>
9	395.1	84	426.4	411.5	203.2	-	1	<b>30846-859</b>

Delivery is exclusively made in Standard Pack Quantity (SPQ): Please order at least 5 pieces or a multiple.

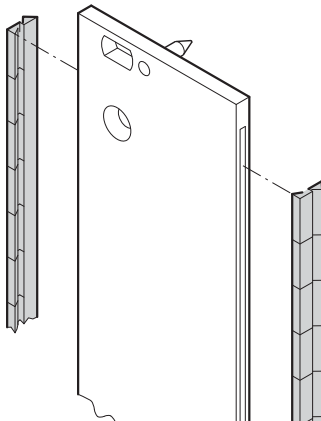
Pricing is per individual item.

### NOTE

- Please order fixing material (sleeves, collar screws) separately, see page 7.107
- Please order stainless steel EMC gasket separately, see page 7.6

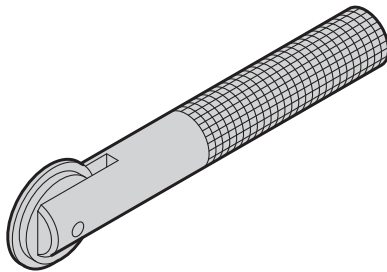
# Modules – Front panels

## STAINLESS STEEL EMC GASKET



bga45760

Montagewerkzeug



aza45937

- The stainless steel EMC gaskets are inserted into the lateral slots of the shieldable front panels (2 pieces per front panel)

### DELIVERY COMPRISES

Item	Qty	Description
1	10/100	EMC gasket (stainless steel)

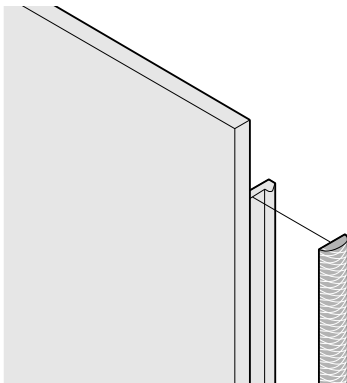
### ORDER INFORMATION

Height U	Height mm	Qty/PU	Part no.
2	52	10	<b>21101-775</b>
3	97	10	<b>21101-705</b>
3	97	100	<b>21101-706</b>
4	142	10	<b>21101-713</b>
4	142	100	<b>21101-714</b>
5	187	10	21101-777
5	187	100	21101-778
6	232	10	<b>21101-707</b>
6	232	100	<b>21101-708</b>
9	367	10	<b>21101-709</b>
9	367	100	<b>21101-710</b>
Assembly tool for EMC gasket (stainless steel), 1 piece			<b>24560-270</b>

### NOTE

- Please order assembly tool separately

## TEXTILE EMC GASKET



04602054

- Textile EMC gasket is glued laterally on the front panel, in the groove of the right-hand profile
- 2 temperature ranges
  - Temperature range -40... +70 °C
  - Temperature range -40... +85 °C

### DELIVERY INCLUDES

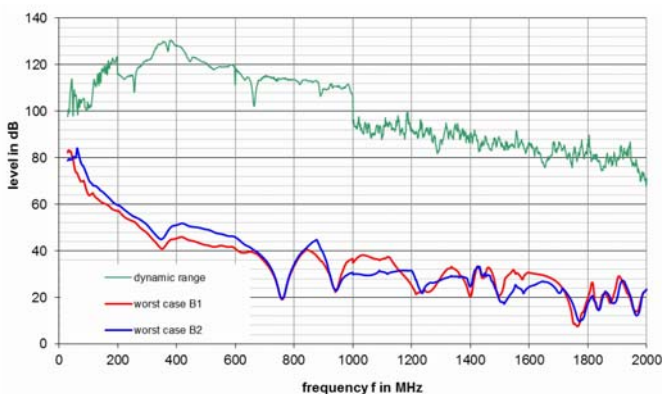
Item	Qty	Description
1	see Order Information	EMC textile gasket, core: TPE foam (-40... +70 °C), Core: silicon with hollow chamber (-40... +85 °C), sleeve: textile cladding with CuNi coating

### ORDER INFORMATION

Height U	Height mm	Qty/PU piece	Part no. Temperature range -40... +70 °C	Part no. Temperature range -40... +85 °C
2	52	10	<b>21101-857</b>	<b>21102-857</b>
3	97	10	<b>21101-853</b>	<b>21102-853</b>
3	97	100	<b>21101-854</b>	<b>21102-854</b>
4	142	10	<b>21101-858</b>	<b>21102-858</b>
5	187	10	<b>21101-978</b>	<b>21102-978</b>
6	232	10	<b>21101-855</b>	<b>21102-855</b>
6	232	100	<b>21101-856</b>	<b>21102-856</b>
9	365	10	<b>21101-859</b>	<b>21102-859</b>
9	365	100	<b>21101-904</b>	-

### EMC characteristic (typical, green)

B1 (red): -40 ... -70 °C, B2 (blue): -40 ... -85 °C



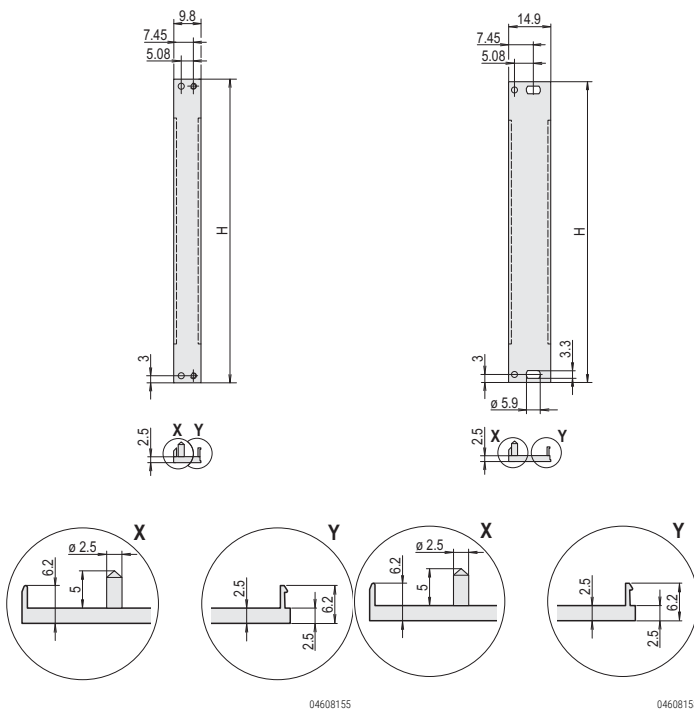
04614052

# Modules – Front panels

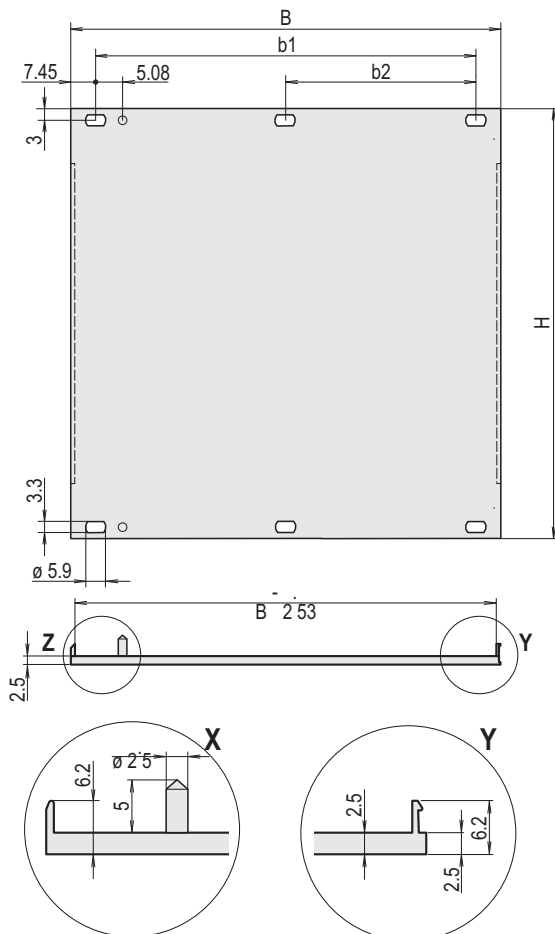
## FRONT PANELS, U PROFILE, SHIELDABLE

2 HP

3 U



&gt; 3 HP



- High stability through U profile
- Front panel, U profile, Al, front anodised, rear conductive, 2 alignment pins pressed-in, stainless steel
- Differences in the finish between 2 ... 12 HP and 14 ... 84 HP

### ORDER INFORMATION

Height H	Width B	b1	b2	Alignment Pin	Qty	Part no.		
U	mm	HP	mm	mm	mm			
2	84	28	141.9	127	-	x	1 (SPQ 5)1	<b>20848-206</b>
2	84	42	213	198.1	101.6	x	1	<b>20848-260</b>
2	84	63	319.7	304.8	157.5	x	1	<b>20848-261</b>
2	84	84	426.4	411.5	203.2	-	1	<b>20848-262</b>
3	128.4	2	9.8	-	-	x	1 (SPQ 5)1	<b>30849-001</b>
3	128.4	3	14.9	-	-	x	1 (SPQ 5)1	<b>30849-004</b>
3	128.4	4	20	-	-	x	1 (SPQ 5)1	<b>30848-354</b>
3	128.4	5	25	-	-	x	1 (SPQ 5)1	<b>30848-378</b>
3	128.4	6	30.1	-	-	x	1 (SPQ 5)1	<b>30848-380</b>
3	128.4	7	35.2	-	-	x	1 (SPQ 5)1	<b>30848-382</b>
3	128.4	8	40.3	25.4	-	x	1 (SPQ 5)1	<b>30848-356</b>
3	128.4	9	45.4	30.5	-	x	1 (SPQ 5)1	<b>30848-384</b>
3	128.4	10	50.5	35.6	-	x	1 (SPQ 5)1	<b>30848-386</b>
3	128.4	12	60.6	45.7	-	x	1 (SPQ 5)1	<b>30848-358</b>
3	128.4	14	70.8	55.9	-	x	1 (SPQ 5)1	<b>20848-013</b>
3	128.4	16	80.9	66	-	x	1 (SPQ 5)1	<b>20848-015</b>
3	128.4	21	106.3	91.4	-	x	1 (SPQ 5)1	<b>20848-020</b>
3	128.4	28	141.9	127	-	x	1 (SPQ 5)1	<b>20848-027</b>
3	128.4	42	213	198.1	101.6	x	1	<b>20848-047</b>
3	128.4	63	319.7	304.8	157.5	x	1	<b>20848-068</b>
3	128.4	84	426.4	411.5	203.2	-	1	<b>20848-097</b>
4	172.9	28	141.9	127	-	x	1 (SPQ 5)1	<b>20848-268</b>
4	172.9	42	213	198.1	101.6	x	1	<b>20848-269</b>
4	172.9	63	319.7	304.8	157.5	x	1	<b>20848-270</b>
4	172.9	84	426.4	411.5	203.2	-	1	<b>20848-271</b>
5	217.4	28	141.9	127	-	x	1 (SPQ 5)1	<b>20848-647</b>
5	217.4	42	213	198.1	101.6	x	1	<b>20848-648</b>
5	217.4	63	319.7	304.8	157.5	x	1	<b>20848-649</b>
5	217.4	84	426.4	411.5	203.2	-	1	<b>20848-650</b>
6	261.8	2	9.8	-	-	x	1 (SPQ 5)1	<b>30849-002</b>
6	261.8	4	20	-	-	x	1 (SPQ 5)1	<b>30848-355</b>
6	261.8	5	25	-	-	x	1 (SPQ 5)1	<b>30848-379</b>
6	261.8	6	30.1	-	-	x	1 (SPQ 5)1	<b>30848-381</b>
6	261.8	7	35.2	-	-	x	1 (SPQ 5)1	<b>30848-383</b>
6	261.8	8	40.3	25.4	-	x	1 (SPQ 5)1	<b>30848-357</b>
6	261.8	9	45.4	30.5	-	x	1 (SPQ 5)1	<b>30848-385</b>
6	261.8	10	50.5	35.6	-	x	1 (SPQ 5)1	<b>30848-387</b>
6	261.8	12	60.6	45.7	-	x	1 (SPQ 5)1	<b>30848-359</b>
6	261.8	14	70.8	55.9	-	x	1 (SPQ 5)1	<b>20848-106</b>
6	261.8	16	80.9	66	-	x	1 (SPQ 5)1	<b>20848-108</b>
6	261.8	21	106.3	91.4	-	x	1 (SPQ 5)1	<b>20848-113</b>
6	261.8	28	141.9	127	-	x	1 (SPQ 5)1	<b>20848-120</b>
6	261.8	42	213	198.1	101.6	x	1	<b>20848-139</b>
6	261.8	63	319.7	304.8	157.5	x	1	<b>20848-160</b>
6	261.8	84	426.4	411.5	208.3	-	1	<b>20848-189</b>
9	395.1	84	426.4	411.5	203.2	-	1	<b>20848-280</b>

1) Delivery is exclusively made in Standard Pack Quantity (SPQ): Please order at least 5 pieces or a multiple. Pricing is per individual item.

### NOTE

- 2 ... 12 HP: one-part U-profile
- 14 ... 84 HP: multi-part U-profile (front panel with crimped profile)
- Please order fixing material (sleeves, collar screws) separately, see page 7.107
- Please order textile EMC gasket separately, see page 7.6

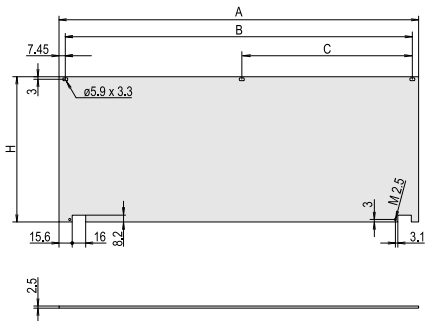
# Modules – Front panels

## FRONT PANELS, BOTTOM-HINGED

Image displays unshielded version 3U, 84HP



Unshielded

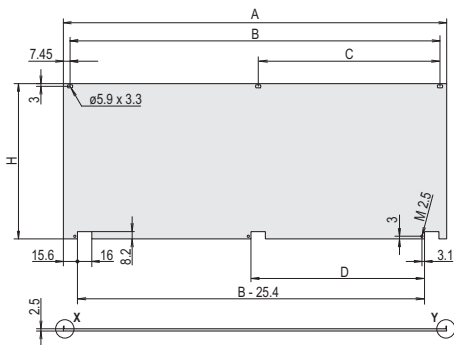


04602080

Image displays shielded version 3U, 84HP



Shielded



04602079

- Suitable for subracks (europacPRO) and cases (ratiopacPRO, propacPRO, compacPRO)
- Front panel can be unhinged at 135° (not ratiopacPRO) opening angle
- The useable width is not restricted
- Mounts on the horizontal rails
- 2 versions:
  - unshielded
  - shielded, U front panel with textile EMC gasket

### DELIVERY COMPRISES (kit)

Item	Qty		Description
	Unshielded	Shielded	
1	1	-	Front panel, hinged, Al, 2.5 mm, anodised, cut edges plain
1a	-	1	Front panel, U profile, hinged, Al, 2.5 mm, front anodised, rear iridescent green chromated
2	2	2 (28 HP) / 3	Hinge, Zn die-cast, nickel-plated
3	2 / 3 (84 HP)	2 (28 HP) / 3	Sleeve, PA
4	2 / 3 (84 HP)	2 (28 HP) / 3	Collar screw M2.5 x 12.3, nickel-plated
5	-	1	EMC textile gasket, core: foam, sleeve: textile cladding with CuNi coating
6	1	1	Assembly kit

### ORDER INFORMATION

Dimensions			
Height	Width	Unshielded	Shielded
U	HP	Part no.	Part no.
3	28	<b>20838-280</b>	<b>20848-608</b>
3	42	<b>20838-271</b>	<b>20848-599</b>
3	63	<b>20838-272</b>	<b>20848-600</b>
3	84	<b>20838-273</b>	<b>20848-601</b>
4	42	<b>20838-277</b>	<b>20848-605</b>
4	63	<b>20838-278</b>	<b>20848-606</b>
4	84	<b>20838-279</b>	<b>20848-607</b>
6	28	-	<b>20848-696</b>
6	42	<b>20838-274</b>	<b>20848-602</b>
6	63	<b>20838-275</b>	<b>20848-603</b>
6	84	<b>20838-276</b>	<b>20848-604</b>

### DIMENSIONS

Dimensions							Shielded
Height	Width	A	B	C	D	H	Part no.
U	HP	mm	mm	mm	mm	mm	
3	28	141.9	127.0	-	-	128.4	<b>20848-608</b>
3	42	213.0	198.1	101.6	86.4	128.4	<b>20848-599</b>
3	63	319.7	304.8	157.5	137.2	128.4	<b>20848-600</b>
3	84	426.4	411.5	203.2	193.0	128.4	<b>20848-601</b>
4	42	213.0	198.1	101.6	86.4	172.9	<b>20848-605</b>
4	63	319.7	304.8	157.5	137.2	172.9	<b>20848-606</b>
4	84	426.4	411.5	203.2	193.0	172.9	<b>20848-607</b>
6	28	141.9	127.0	-	-	261.8	<b>20848-696</b>
6	42	213.0	198.1	101.6	86.4	261.8	<b>20848-602</b>
6	63	319.7	304.8	157.5	137.2	261.8	<b>20848-603</b>
6	84	426.4	411.5	203.2	193.0	261.8	<b>20848-604</b>

Dimensions							Unshielded
Height	Width	A	B	C	H	Part no.	
U	HP	mm	mm	mm	mm		
3	28	141.9	127.0	-	128.4	<b>20838-280</b>	
3	42	213.0	198.1	-	128.4	<b>20838-271</b>	
3	63	319.7	304.8	-	128.4	<b>20838-272</b>	
3	84	426.4	411.5	203.2	128.4	<b>20838-273</b>	
4	42	213.0	198.1	-	172.9	<b>20838-277</b>	
4	63	319.7	304.8	-	172.9	<b>20838-278</b>	
4	84	426.4	411.5	-	172.9	<b>20838-279</b>	
6	42	213.0	198.1	-	261.8	<b>20838-274</b>	
6	63	319.7	304.8	-	261.8	<b>20838-275</b>	
6	84	426.4	411.5	203.2	261.8	<b>20838-276</b>	



# Modules – Front panels

## FRONT PANEL, HINGED, SHIELDED



Image displays shielded version 3U, 84HP

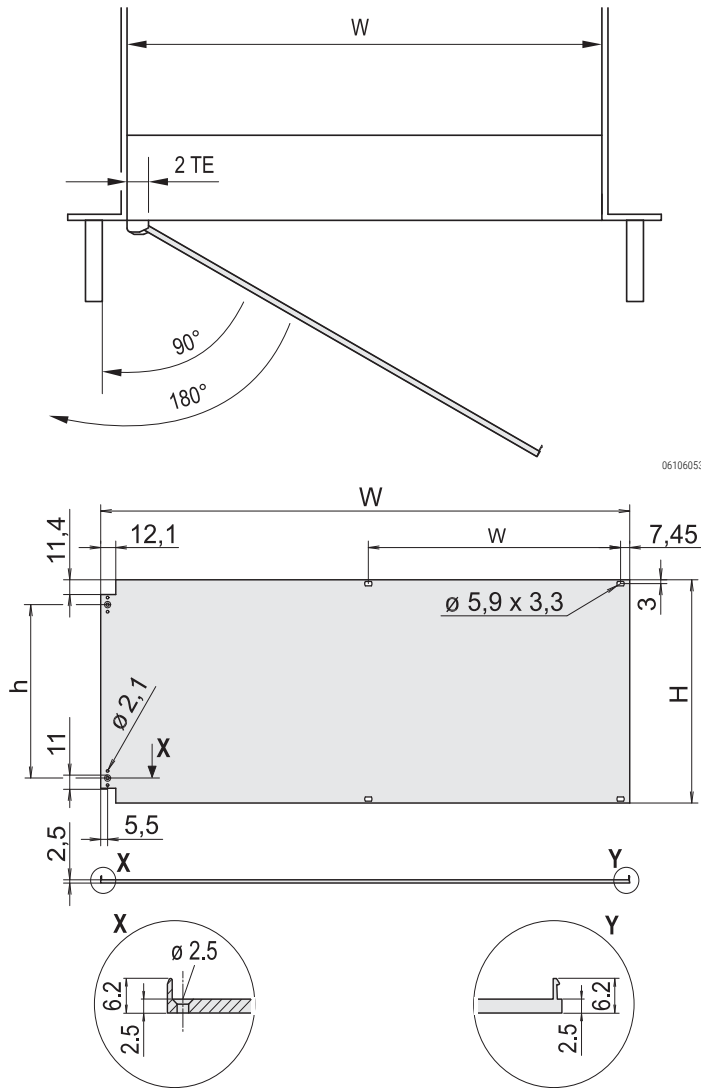
- Suitable for subracks (europacPRO) and cases (ratiopacPRO, propacPRO, compacPRO)
- Mounts on horizontal rails
- Front panel with textile EMC gasket
- Hinges can be fitted on left or right

### DELIVERY COMPRISES (kit)

Item	Qty	Description
1	1	Front panel, hinged, Al, 2.5 mm, front anodised, rear iridescent green chromated
2	2	Hinge, Zn die-cast, chrome-plated
3	1	Textile EMC gasket, core: foam, sleeve: textile cladding with CuNi coating
4	1	Assembly kit

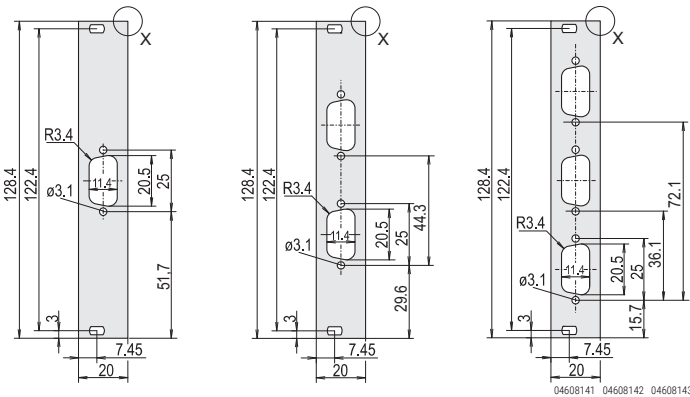
### ORDER INFORMATION

Height	H	h	W	w	Part no.
U	mm	mm	mm	mm	
3	128.4	89.9	426.4	203.2	<b>20848-611</b>
6	261.8	223.2	426.4	203.2	<b>20848-617</b>

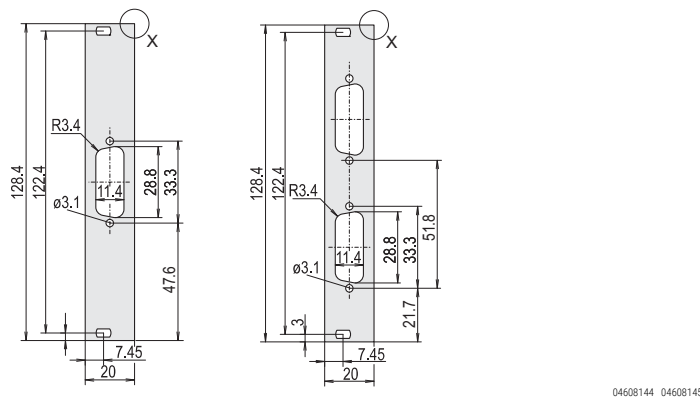


# Modules – Front panels

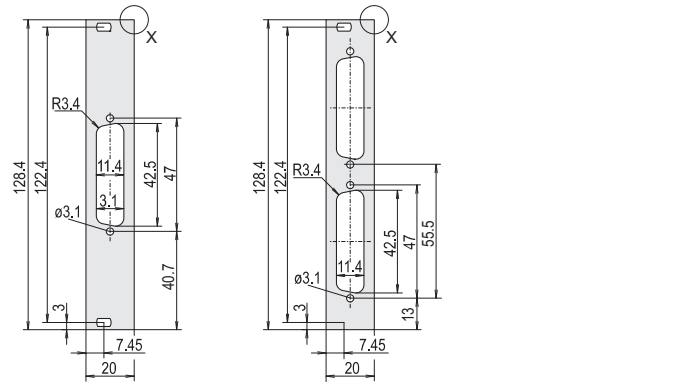
## FRONT PANELS FOR D-SUB CONNECTORS



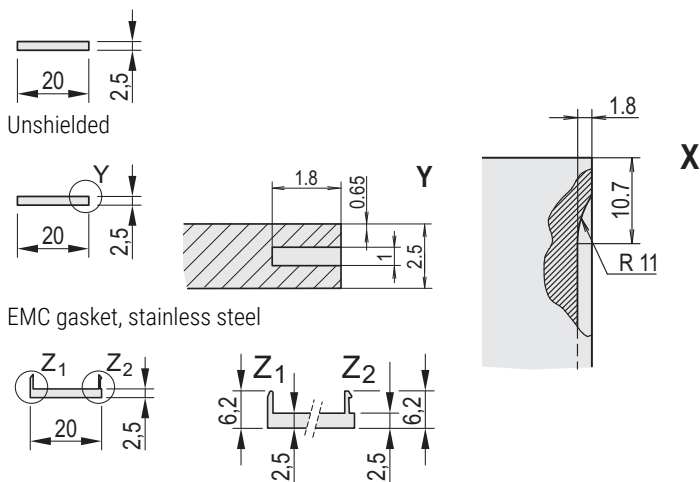
Cut-out 9-pin



Cut-out 15-pin



Cut-out 25-pin



For textile EMC gasket

- 3 U/4 HP
- Aluminium, front anodised, rear iridescent green chromated
- Shielding through: stainless steel EMC or textile EMC gasket (please order separately)

### DELIVERY COMPRISES

Item	Description
1a	Front panel, Al, 2.5 mm, front anodised, rear iridescent green chromated
1b	Front panel, Al, 2.5 mm, front anodised, rear iridescent green chromated; for EMC stainless steel gasket
1c	Front panel, U profile, Al, 2.5 mm, front anodised, rear conductive; for EMC gasket (textile)

### ORDER INFORMATION

Cut-out	Qty	Unshielded	For EMC gasket	
		Part no.	Stainless steel Part no.	Textile Part no.
1 × 9-polig	1 piece (SPQ 5)	<b>30118-341</b>	<b>30118-348</b>	30849-749
2 × 9-polig	1 piece (SPQ 5)	<b>30118-344</b>	<b>30118-351</b>	30849-750
3 × 9-polig	1 piece (SPQ 5)	<b>30118-347</b>	30118-354	30849-751
1 × 15-polig	1 piece (SPQ 5)	<b>30118-342</b>	<b>30118-349</b>	30849-752
2 × 15-polig	1 piece (SPQ 5)	<b>30118-345</b>	30118-352	30849-753
1 × 25-polig	1 piece (SPQ 5)	<b>30118-343</b>	30118-350	30849-754
2 × 25-polig	1 piece (SPQ 5)	<b>30118-346</b>	30118-353	30849-755

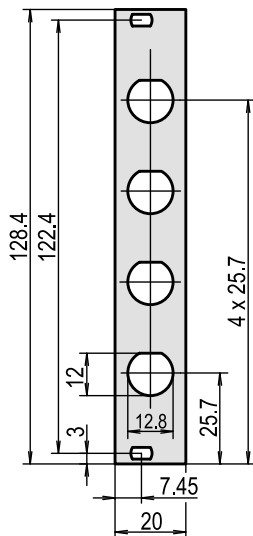
Delivery is exclusively made in Standard Pack Quantity (SPQ): Please order at least 5 pieces or a multiple. Pricing is per individual item.

### NOTE

- Please order fixing material (sleeves, collar screws) separately, see page 7.107
- Please order stainless steel EMC gasket separately, see page 7.6
- Please order textile EMC gasket separately, see page 7.6

# Modules – Front panels

## FRONT PANELS FOR COAX CONNECTORS



04602057

- 3 U/4 HP
- Aluminium, 2.5 mm, front anodised, rear iridescent green chromated

### ORDER INFORMATION

Description	Qty/PU	Part no.
Cut-out 4 x Coax, unshielded	1	<b>30118-355</b>

### NOTE

- Please order fixing material (sleeves, collar screws) separately, see page 7.107

## FRONT PANELS 3 U WITH GND/EARTHING CONNECTION



02998001

- Earthed front panel (protection class 1)

### DELIVERY COMPRISES (items 1 – 3 assembled)

Item	Qty	Description
1	1	Front panel 3 U, Al, 2.5 mm, front anodised, rear iridescent green chromated with GND/earthing connection
2	4	Plastic sleeve, PA, grey
3	4	Collar screws, M2.5 x 11 and 12.3 Pozidrive, St, nickel-plated
4	1	GND/earthing kit, length of GND/earthing cable 320 mm

### ORDER INFORMATION

Height U	Width HP	Qty	Part no.
3	7	1 piece (SPQ 5)	<b>20119-159</b>
3	14	1 piece (SPQ 5)	<b>20119-160</b>
3	21	1 piece (SPQ 5)	<b>20119-161</b>
3	28	1 piece (SPQ 5)	<b>20119-162</b>
3	42	1	<b>20119-163</b>

Delivery is exclusively made in Standard Pack Quantity (SPQ): Please order at least 5 pieces or a multiple.  
Pricing is per individual item.

### NOTE

- Please order fixing material (sleeves, collar screws) separately, see page 7.107

## North America

Warwick, RI, USA

Tel +1.401.738.1722

San Diego, CA, USA

Tel +1.858.740.2400

## Europe, Middle East & India

Straubenhardt, Germany

Tel +49 7082 794 0

Betschdorf, France

Tel +33 3 88 90 64 90

Warsaw, Poland

Tel +48 22 209 98 35

Hemel Hempstead,

Great Britain

Tel +44 1442 24 04 71

Lainate, Italy

Tel +39 02 932 714 1

Dubai, United Arab Emirates

Tel +971 4 82 38 666

Bangalore, India

Tel +91 80 6715 8900

Istanbul, Turkey

Tel +90 541 368 0941

## Asia Pacific

Shanghai, China

Tel +86 21 2412 6943

Singapore

Tel +65 6768 5800

Shin-Yokohama, Japan

Tel +81 45 476 0271

Our powerful portfolio of brands:

**CADDY ERICO HOFFMAN RAYCHEM SCHROFF TRACER**



[nVent.com/SCHROFF](https://www.nvent.com/SCHROFF)