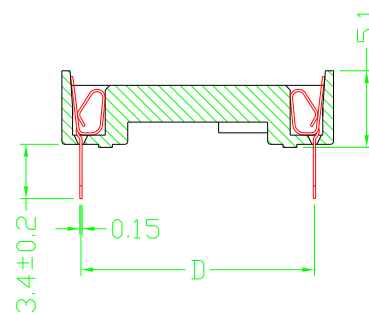
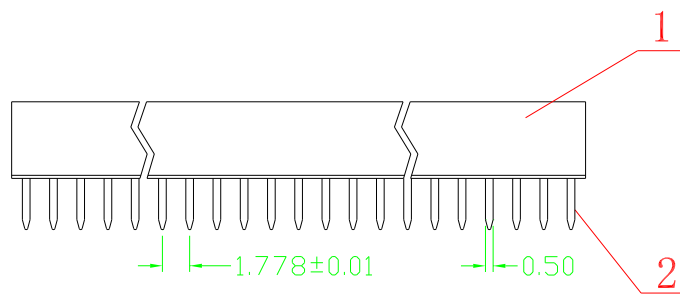
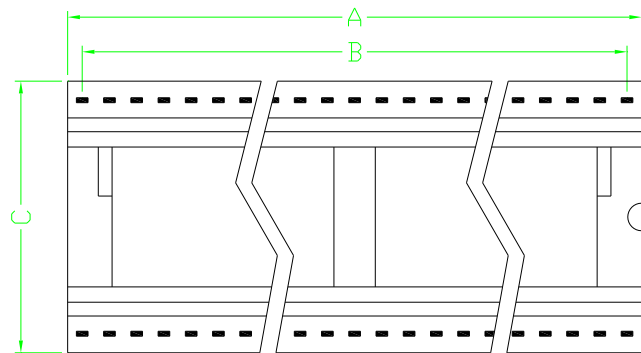


| 序号/RevNo. | 名称/Title | 文件编号/File No. |
|-----------|----------|---------------|
| 1         | 127塑料件   | QJ/XYT-11145  |
| 2         | 127端子    | QJ/XYT-11146  |



**Specifications:**

Contact Resistance: 30mΩ max.at DC 100 mA  
 Insulator resistance: 1000MΩ min.at DC 500V  
 Current Rating: 1AMP

**Dielectric Withstanding**

Voltage: AC 500V For 1 minute  
 Operating Temperature: -55°C--+105°C  
 Contact: Brass or phosphor bronze  
 Housing: PBT &30% Glass Fiber(UL 94V-0)

| Position | A     | B     | C     | D     |
|----------|-------|-------|-------|-------|
| 28       | 25.01 | 23.11 | 12.65 | 10.16 |
| 42       | 37.46 | 35.56 | 17.73 | 15.24 |
| 48       | 42.79 | 40.89 | 17.73 | 15.24 |
| 52       | 46.35 | 44.45 | 17.73 | 15.24 |
| 56       | 49.91 | 48.01 | 17.73 | 15.24 |
| 64       | 57.04 | 55.12 | 21.54 | 19.05 |

**要求:**

1. 塑料件无裂痕, 色斑。
2. 整排端子成一直线, 相邻端子之间相互平行。

|                |               |               |                |                           |            |
|----------------|---------------|---------------|----------------|---------------------------|------------|
| 设计/Designed by | 绘图/Drawing by | 审核/Checked by | 批准/Approved by | 未注公差<br>General Tolerance |            |
|                |               |               |                | x. ±0.2                   | x.' ±2°    |
|                |               |               |                | .x ±0.1                   | .x' ±1°    |
|                |               |               |                | .xx ±0.05                 | .xx' ±0.5° |
|                |               |               |                | .xxx ±0.01                |            |
|                |               |               |                | 单位/Units: mm              |            |