

RGB-контроллер LN-RF6B (12V, 144W, RF-ДУ 6 кн, панель)

Summarization

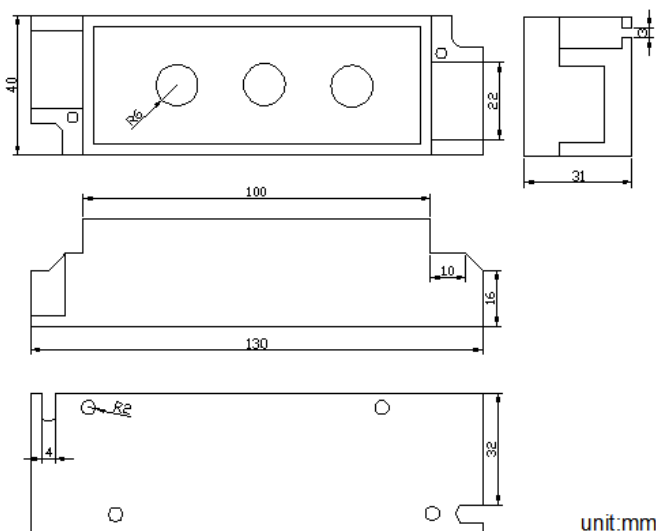
RF panel controller adopts the advanced micro-control unit, it is used for controlling a variety of lamp whose source of light is LED. For instance, point source of light, flexible strip light, wall washer lamp, glass curtain wall light and so on; It has many advantages such as easy connection and simplicity to use; According to the actual need of customers, it can carry out jumpy changing, gradual changing, stroboflash and other effects of change.



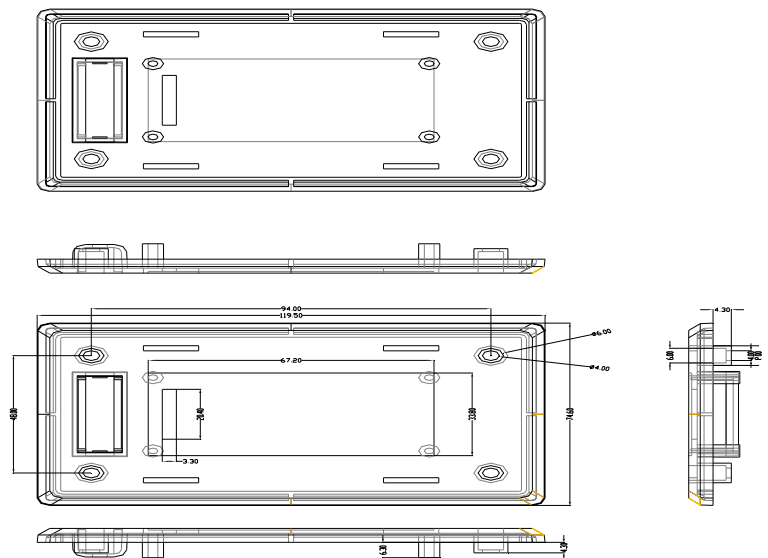
Technical Parameters

- Working temperature: -20-60°C
- Supply voltage: 12V
- Output: 3 channels
- Connecting mode: common anode
- External dimension: L120 X W75X H31 mm
- Packing size: L145X W95 X H50 mm
- Net weight: 225g
- Gross weight: 285g
- Static power consumption: <1W
- Output current: <2A(each channel)
- Output power: 12V<144W

External Dimension



Panel Dimention



Interface Specifications

Power input interface:



Adopt male and female connector with screw.

Load output interface:



Adopt male and female connector with screw.

Direction for use

1. Connect the load wire at first, following by the power wire; **Please ensure short circuit can not occur between connecting wire before you turn on the power;**

2. There are six keys on the remote controller panel, the funtion of each key as follows:

ON/OFF: you could turn on/off controller at any time;

MODE: the color change button,there are 21 modes of change for you to choose;

B+: A brightness control button,the step of the brightness add 1 by each pressing,a total of 256 steps;

B-: The step of the brightness subtract 1 by each pressing;

S+: The step of the speed change add 1 by each pressing,a total of 100 steps.

S-: The step of the speed change subtract 1 by each pressing.

3. There are six keys on wall mounting panel,the function of each key as follows:

MODE: Mode button, a total of 10 models;

ON / OFF: switch button;

BRIGHT: increase entire brightness, a total of 10 steps;

DARK: reduce entire brightness, a total of 10 steps;

QUICK: increase the rate of change, a total of 10 steps(its period is from 5S to 1H);

SLOW: reduce the rate of change, a total of 10 steps;

No.	Patterns	Remarks	No.	Patterns	Remarks
1	Static red	Brightness is adjustable, Speed is unadjustable.	12	Red stroboflash	Speed and Brightness are adjustable
2	Static blue		13	Blue stroboflash	
3	Static purple		14	Purple stroboflash	
4	Static green		15	Green stroboflash	
5	Static yellow		16	Yellow stroboflash	
6	Static cyan		17	Cycan stroboflash	
7	Static white		18	White stroboflash	
8	Three-color jumpy changing	Speed and brightness are adjustable	19	R/B crossfade	Speed is adjustable, brightness is unadjustable
9	Seven-color jumpy changing		20	B/G crossfade	
10	Three-color gradual changing	Speed is adjustable, brightness is unadjustable	21	G/R crossfade	
11	Seven-color gradual changing				

Typical Applications

