

4

3

2

1

THIS DRAWING IS UNPUBLISHED.

RELEASED FOR PUBLICATION

--

© COPYRIGHT - By -

ALL RIGHTS RESERVED.

LOC

DIST

REVISIONS

J

-

P

LTR

DESCRIPTION

DATE

DWN

APVD

C1

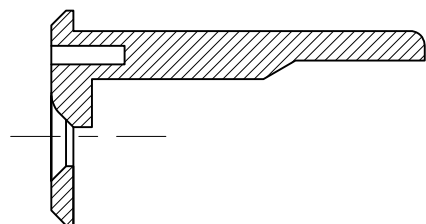
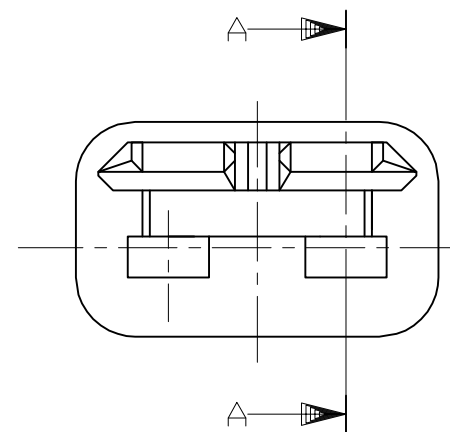
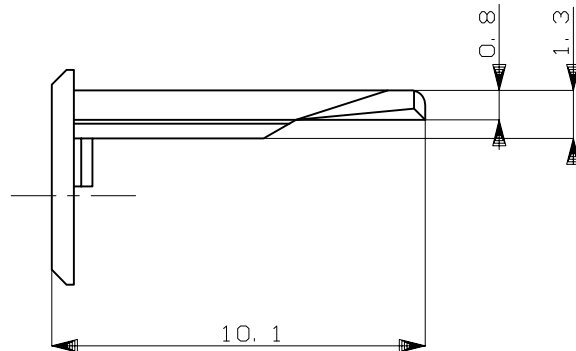
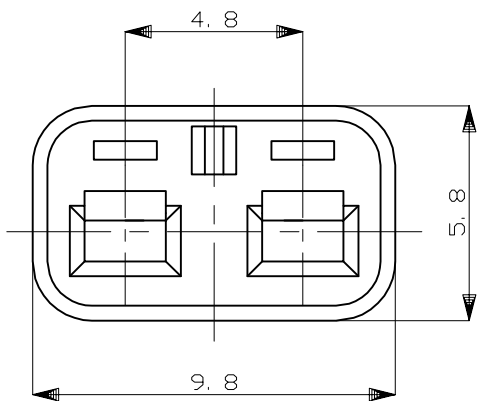
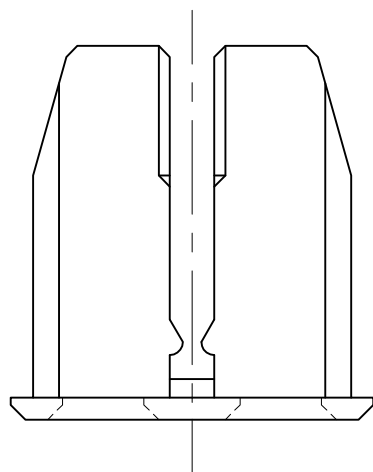
REVISED

ECR-15-000191

27JAN2015

TS

KB



SECTION 断面 A-A

1. 本品は、プラグハウジング型番174352に装着される。

1. TO BE MATED WITH PLUG HOUSING (PN 174352)

HB	自然色 (NATURAL)	1-174353-1
V-2	黄 (YELLOW)	174353-7
使用材料難燃グレード (FLAMMABILITY OF MATERIAL)	色 (COLOR)	型番 (PART NUMBER)

THIS DRAWING IS A CONTROLLED DOCUMENT.

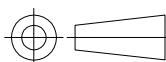
DWN K.ODA 8/13'87

CHK Y.MATSUSAKA 8/24'87

APVD M.NOGUCHI 8/19'87

DIMENSIONS: mm

TOLERANCES UNLESS OTHERWISE SPECIFIED:



- 0 PLC ± -
- 1 PLC ± -
- 2 PLC ± -
- 3 PLC ± -
- 4 PLC ± -
- ANGLES ± -

MATERIAL PBT

FINISH -

PRODUCT SPEC 108-5262

APPLICATION SPEC

WEIGHT -

NAME 2P. ECONOSEAL J-MARKII+ CONNECTOR DOUBLE LOCK PLATE FOR PLUG HOUSING

SIZE A3	CAGE CODE 00779	DRAWING NO C=174353	RESTRICTED TO -
---------	-----------------	---------------------	-----------------

GENERAL TOLERANCE	
0 < * ≤ 10	: ±0.2
10 < * ≤ 30	: ±0.25
30 < * ≤ 100	: ±0.3
ANGLES	: ±3°

CUSTOMER DRAWING

SCALE 5:1

SHEET 1 of 1

REV C1



# Mouser Electronics

Authorized Distributor

Click to View Pricing, Inventory, Delivery & Lifecycle Information:

[TE Connectivity:](#)

[174353-7](#)