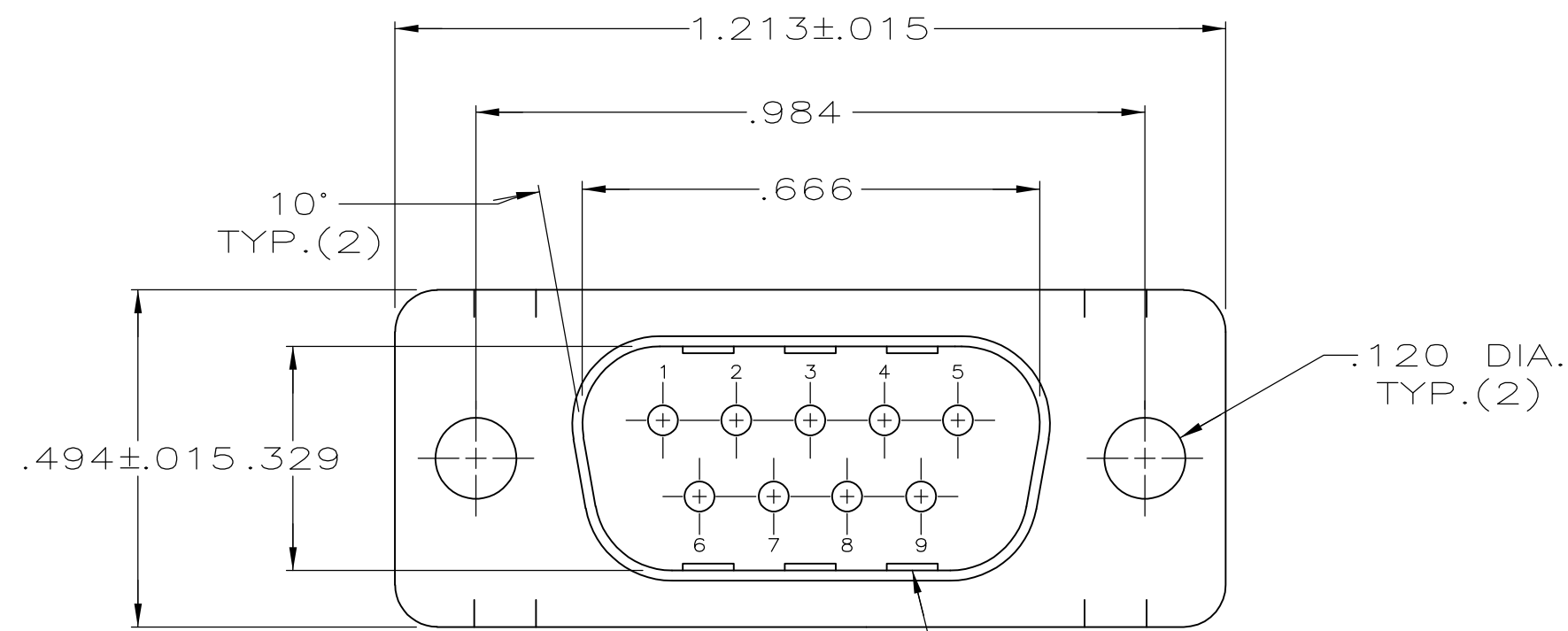
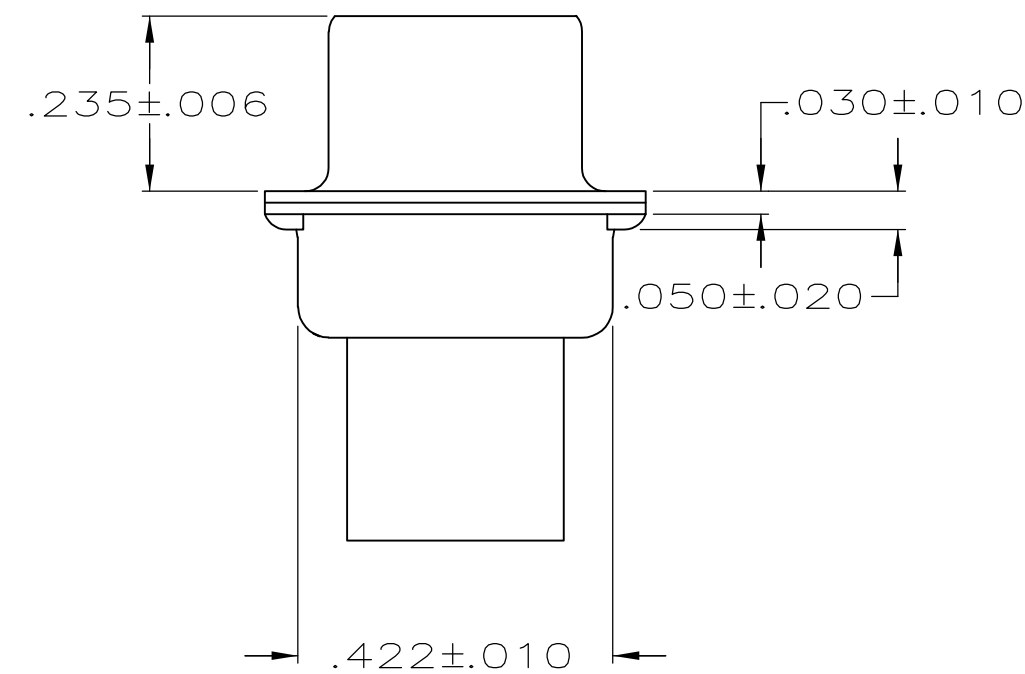
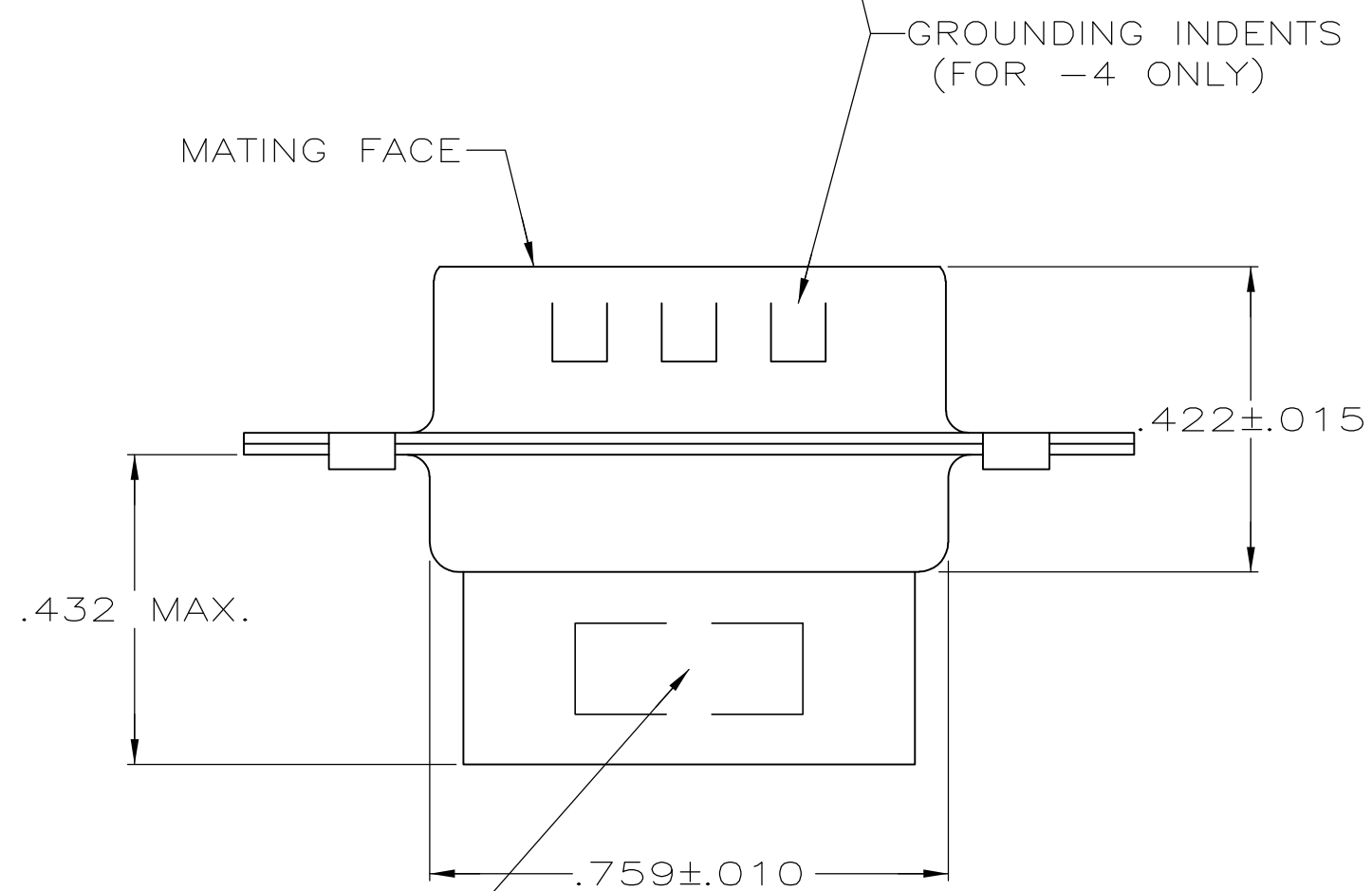


THIS DRAWING IS UNPUBLISHED. RELEASED FOR PUBLICATION  
 © COPYRIGHT - By - ALL RIGHTS RESERVED.

LOC	DIST	REVISIONS			
P	LTR	DESCRIPTION	DATE	DWN	APVD
GP	00				
	L	REVISED PER ECO-14-011808	09AUG2014	AP	SB



- 1 CONNECTOR ACCEPTS SIZE 20 DF PIN CONTACTS, RETENTION TINES ARE AN INTEGRAL PART OF INSERT.
- 2 CONNECTOR COMPLIES WITH 108-40005 WHERE APPLICABLE.
- 3 MOLDED PARTS: GLASS-FILLED PBT OR GLASS-FILLED NYLON, UL94V-0 RATED. COLOR: BLACK
- 4 SHELLS: STEEL PER ASTM A109.
- 5 ZINC PLATED PER ASTM B633; TYPE II; CLASS SC1; YELLOW CHROMATE.
- 6 TIN OR TIN-LEAD PLATED OVER COPPER UNDERPLATE.
- 7 CHROME PLATED.
- 8 TIN PLATED OVER COPPER UNDERPLATE.
- 9 ZINC PLATED .000200-.000400 THICK, YELLOW TRIVALENT CHROMIUM CHROMATE COATING.
- 10 OBSOLETE PARTS: OBSOLETE CIS STREAMLINING PER D.RENAUD/D.SINISI



"AMP", PART NO. & DATE CODE, MARKED IN AREA INDICATED, ON FAR SIDE

OB	PK	SH	GI	PN	
10	OBSOLETE	SMALL PACK	9	NO	4-205204-0
		STANDARD	9	NO	205204-9
		STANDARD	8	NO	205204-8
	SUPERSEDED BY 205204-9	SMALL PACK	5	NO	205204-7
		STANDARD	8	YES	205204-4
	SUPERSEDED BY 205204-8	STANDARD	6	NO	205204-3
	OBSOLETE	STANDARD	7	NO	205204-2
	SUPERSEDED BY 205204-9	STANDARD	5	NO	205204-1
		PACKAGING TYPE	SHELL FINISH	GROUNDING INDENTS	PART NUMBER

THIS DRAWING IS A CONTROLLED DOCUMENT.		DWN S. WELDON 07/19/85	<b>TE</b> TE Connectivity	
DIMENSIONS: INCHES		CHK J. GERACE 07/29/85		
TOLERANCES UNLESS OTHERWISE SPECIFIED:		APVD -	NAME	
0 PLC ± -		PRODUCT SPEC -	PLUG CONNECTOR, SIZE 1, 9 POS., AMPLIMITE HDP	
1 PLC ± -		APPLICATION SPEC -	SIZE A2	CAGE CODE 00779
2 PLC ± -		WEIGHT -	DRAWING NO C-205204	RESTRICTED TO -
3 PLC ± .005		CUSTOMER DRAWING	SCALE NTS	SHEET 1 of 1
4 PLC ± -			REV L	
ANGLES ± -				
FINISH SHELLS: SEE TABLE				

# Mouser Electronics

Authorized Distributor

Click to View Pricing, Inventory, Delivery & Lifecycle Information:

[TE Connectivity:](#)

[205204-9](#)