



8mm Ceramic Trimmer Potentiometer

SH855MC (T.K.)



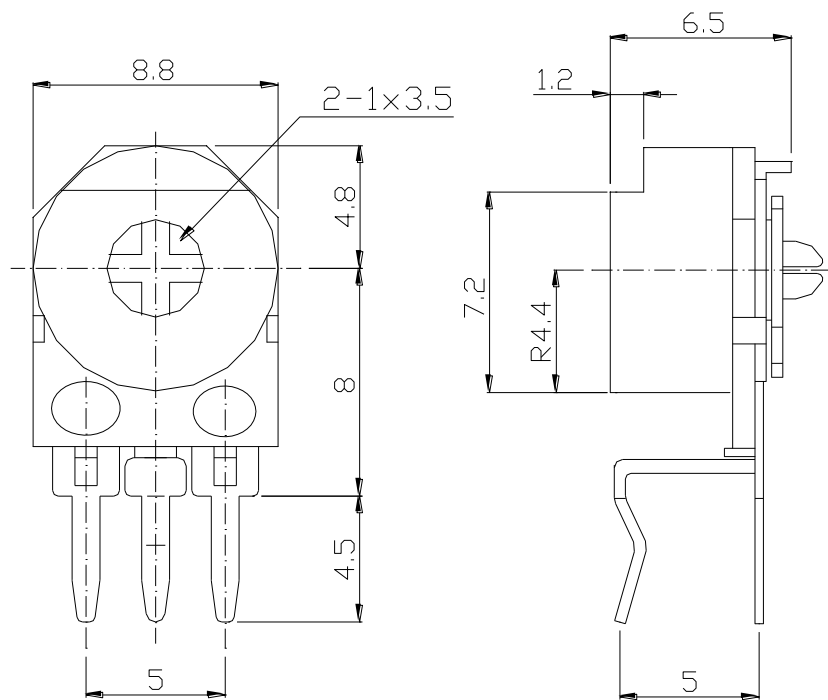
Part Number

SH855MC – 50K (T.K.)

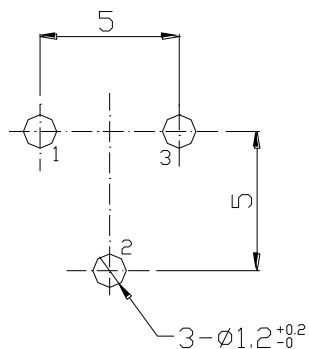
Resistance value

Ceramic

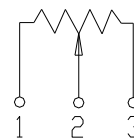
Dimensions



P.C.B LAYOUT



CIRCUIT



**8mm Ceramic Trimmer Potentiometer****General**

Operating temperature	-10°C ~ +70 °C
Soldering conditions	260±5°C Within 5 seconds

Electrical Characteristics

Total resistance	100Ω ~ 1MΩ
Resistance tolerance	±20%
Resistance taper	B
Residual resistance	R ≤ 500Ω : ≤ 10Ω max R > 500Ω : Less than 2% of total resistance value
Rated power(W)	0.5W
Max. Operating voltage	DC 250V
Contact resistance variation	6% Max

Mechanical Characteristics

Total rotational angle	280°±20°
Rotational torque	30 ~ 300 gf.cm
Rotational stopper strength	0.8 Kgf-cm
Rotational life	50±5 Cycles.