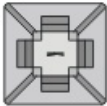
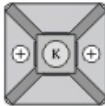
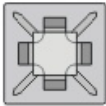
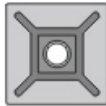

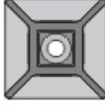

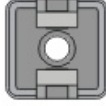
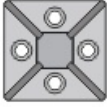
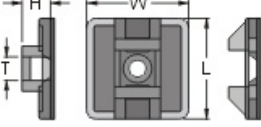
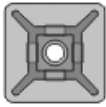


0505 KSS Self Adhesive Tie Mount



- Material: UL approved Nylon 66, 94V-2 with adhesive tape.
- Color: Natural, available in other colors.
- SELF-ADHESIVE TIE MOUNTS is designed to support light weight wire bundles when properly applied on any clean, smooth, grease-free surface. For heavy support, mounting hole is provided for screws.
- To apply, simply peel off liner and apply mount to surface. After that, cable ties can be inserted to secure wire bundles.

			
HC-100	HC-101S	HC-101	HC-102
			
HC-103	HC-25	HC-19R, 26R	HC-18T
			
HC-3838	HC-26T	HC-101SA, HC102A	

※ HC-100-S4 4pcs on a strip (Simply peel off backing paper) ※ HC-101S-S2 2pcs on a strip (Simply peel off backing paper)							Unit: mm
Item No.	L	W	H	Mounting Hole	T	Packing	
※ <input type="checkbox"/> HC-100-S4	12.5	12.5	3.2		3.2	100 pcs / Bag	
※ <input type="checkbox"/> HC-101S-S2	19.5	19.5	3.9	3.2	4.6		
<input type="checkbox"/> HC-101S	19.5	19.5	3.9	3.2	4.6		
<input type="checkbox"/> HC-101SA	19.0	19.0	4.5	3.4	4.0		
<input type="checkbox"/> HC-102A	28.0	28.0	5.6	5.6	5.3		
<input type="checkbox"/> HC-101	21.8	21.8	4.0		4.8		
<input type="checkbox"/> HC-102	28.6	28.6	5.3	5.0	5.5		
<input type="checkbox"/> HC-103	29.2	29.2	5.4	5.0	5.5		
<input type="checkbox"/> HC-25	26.1	26.1	6.0	4.3	8.0		
<input type="checkbox"/> HC-19R	18.9	18.9	4.6	4.8	4.2		
<input type="checkbox"/> HC-26R	26.3	26.3	6.0	5.0	5.6		
<input type="checkbox"/> HC-18T	19.0	19.0	5.0	4.4	4.1		
<input type="checkbox"/> HC-26T	26.5	26.5	7.4	4.3	5.8		
	38.5	38.5	7.6	5.0	10.2		

<input type="checkbox"/> HC-3838						
----------------------------------	--	--	--	--	--	--

Input Sample Order

Check Selected

Return All Selected

- Home
- About KSS
- Contact Us
- What's New
- New Product
- Our Products
- Search

KAI SUH SUH ENTERPRISE CO., LTD.

- Last Updated 10 June 2019 -

