



SPECIFICATION

| | |
|----------------------|---------------------|
| Product Name: | GU10 Lamp |
| Part No.: | NS-GU10-G5-M |
| Date: | 2012-3-25 |
| Edition Code: | V1.2 |

| | | |
|--|--------------|----------------|
| Foshan NationStar Optoelectronics Co., Ltd. | | |
| LED Lighting Branch | | |
| DRAFT | CHECK | CONFIRM |
| | | |



NS-GU10-G5-M

● Features

1. Light source is COB LED with high luminous efficiency.
2. Wide input voltage from AC110V to 240V, with low power consumption and energy saver.
3. This product is environmental friendly, containing no flash strobe and radiation, as well as UV and infrared rays.
4. CCT:2800K-7500K.
5. Standard GU10 socket.
6. In accordance with the RoHS.

● Applications

Ideal for directional lighting applications in retail shops, museums, hospitals and homes, etc.

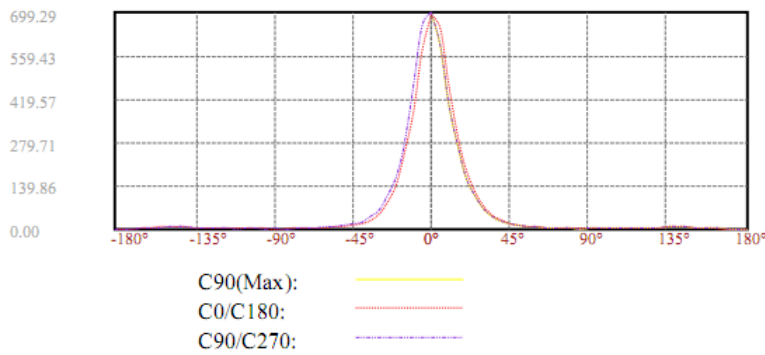
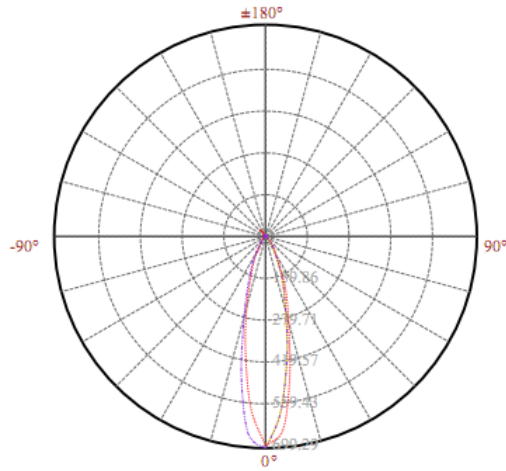
● Parameters

| Parameter | Rating | Unit | Condition |
|------------------------|------------|-------|-----------|
| Light Source | COB LED | / | / |
| AC | AC 110-240 | V | Ta : 25 ℃ |
| Wattage | 5.0 | W | |
| Forward Current | 400 | mA | |
| Operating Temperature | -20 ~ +40 | ℃ | |
| Storage Temperature | -40 ~+80 | ℃ | |
| Median Life Expectancy | 20,000 | Hours | Ta : 50 ℃ |
| | 10,000 | Hours | |

● Typical Electrical-optical Parameters (30 °)

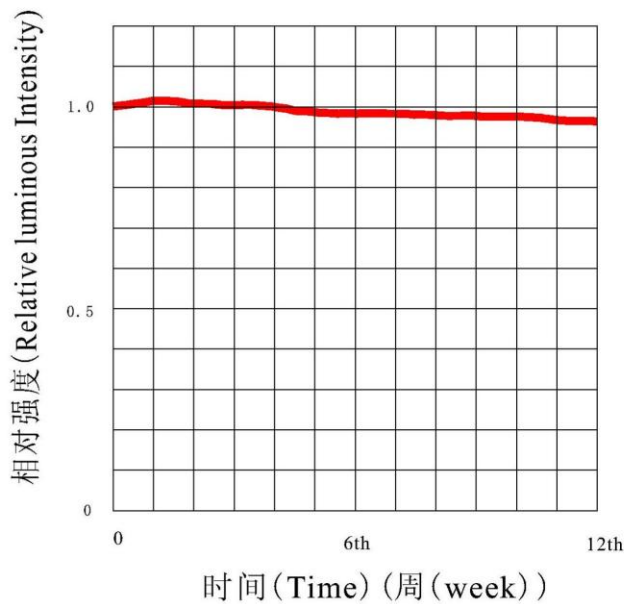
| Luminous flux (lm) | Color rendering index (Ra) | AT 1M | AT 2M | AT 3M |
|--------------------|----------------------------|---------|---------|--------|
| 250-300 | ≥80 | 700 LUX | 180 LUX | 80 LUX |

● Light distribution curve (30 °)



● Attenuation Curve

发光强度随时间变化特性曲线
Luminous Intensity VS. Time





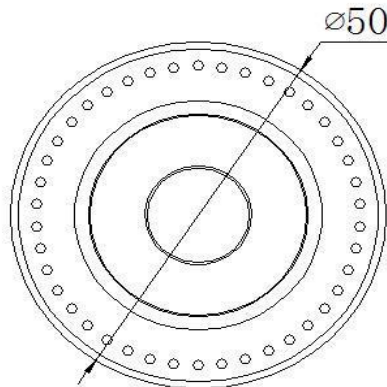
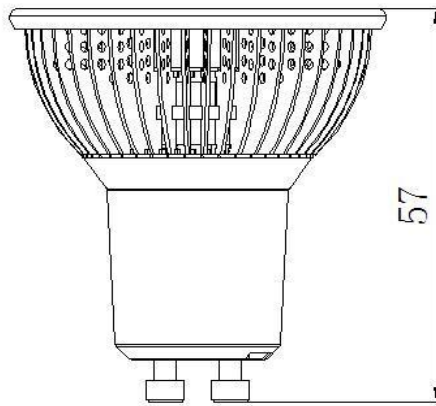
● Ordering Nomenclature

NS-GU10-G5-M (6000K-7500K), ANGLE 30°

NS-GU10-G5-M (3800K-4800K), ANGLE 30°

NS-GU10-G5-M (2800K-3700K), ANGLE 30°

● Dimensions





● Product Picture



● Packing

| | | | |
|------------|-----------------|---------------|----------|
| GU10-BOX-A | INDIVIDUAL BOX | 50×50×85mm | 1/1PCS |
| GU10-BOX-B | INNER BOX | 205×205×260mm | 1/48PCS |
| GU10-BOX-C | EXTERNAL CARTON | 660×220×275mm | 1/144PCS |

● Warning and Liability

- The information contained herein is presented only as a guide for the applications of our products.
- No responsibility is assumed by NationStar for any infringements of intellectual property or other infringements of the rights of third parties that may result from its use
- NationStar is committed to a process of continuous improvements of the quality and features of its products and reserves the right to make changes that result in such improvements.
- NationStar products are not intended for use in applications where extraordinarily high reliability is required to prevent the loss of human life or where failure could result in bodily injury.
- NationStar limits the extent of our liability to the failure product and will replace a failed component
or refund the purchase price at NationStar option.
- The parameter above are for reference only, detailed figure are subject to the product.
- NationStar keeps the right to modify the content of specification without giving notice to



国星光电
NATIONSTAR

SPECIFICATION

Product Name: LED Lamp
Part No.:NS-GU10-G5-M

customers. We apologize for any inconvenience caused.

FOSHAN NATIONSTAR OPTOELECTRONICS CO.,LTD

ADD.: NO.18 South Huabao Road,Chancheng
District, Foshan, Guangdong, P.R.China
TEL: +86-757 82100230 82109310