

L-53SRD-G SUPER BRIGHT RED

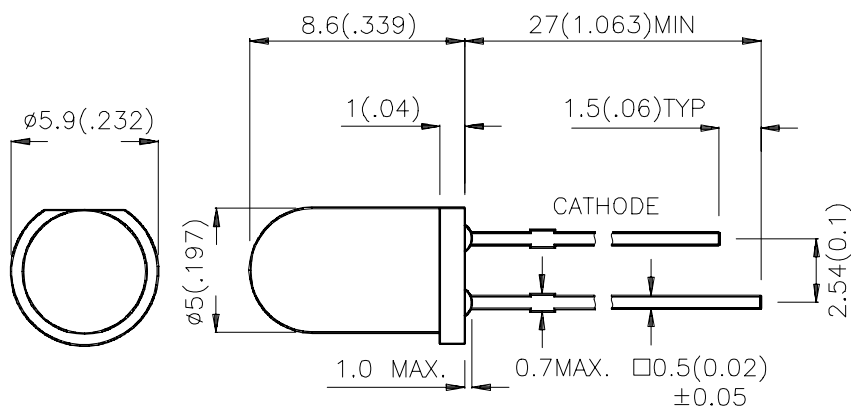
Features

- LOW POWER CONSUMPTION.
- POPULAR T-1 3/4 DIAMETER PACKAGE.
- GENERAL PURPOSE LEADS.
- RELIABLE AND RUGGED.
- LONG LIFE - SOLID STATE RELIABILITY.

Description

The Super Bright Red source color devices are made with Gallium Aluminum Arsenide Red Light Emitting Diode.

Package Dimensions



Notes:

1. All dimensions are in millimeters (inches).
2. Tolerance is $\pm 0.25 (0.01)$ unless otherwise noted.
3. Lead spacing is measured where the lead emerge package.
4. Specifications are subject to change without notice.

Selection Guide

Part No.	Dice	Lens Type	Iv (mcd) @ 20 mA		Viewing Angle
			Min.	Typ.	201/2
L-53SRD-G	SUPER BRIGHT RED (GaAlAs)	RED DIFFUSED	650	800	60°

Note:

1. $\theta_{1/2}$ is the angle from optical centerline where the luminous intensity is 1/2 the optical centerline value.

Electrical / Optical Characteristics at $T_A=25^\circ\text{C}$

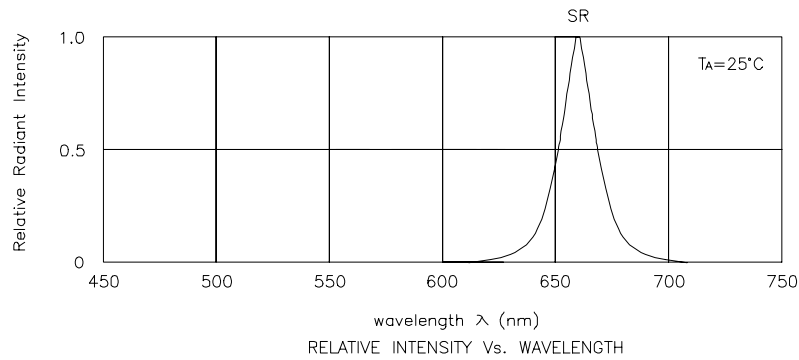
Symbol	Parameter	Device	Typ.	Max.	Units	Test Conditions
λ_{peak}	Peak Wavelength	Super Bright Red	660		nm	$I_F=20\text{mA}$
λ_D	Dominant Wavelength	Super Bright Red	640		nm	$I_F=20\text{mA}$
$\Delta\lambda_{1/2}$	Spectral Line Half-width	Super Bright Red	20		nm	$I_F=20\text{mA}$
C	Capacitance	Super Bright Red	45		pF	$V_F=0\text{V}; f=1\text{MHz}$
V_F	Forward Voltage	Super Bright Red	1.85	2.5	V	$I_F=20\text{mA}$
I_R	Reverse Current	Super Bright Red		10	μA	$V_R = 5\text{V}$

Absolute Maximum Ratings at $T_A=25^\circ\text{C}$

Parameter	Super Bright Red	Units
Power dissipation	100	mW
DC Forward Current	30	mA
Peak Forward Current [1]	155	mA
Reverse Voltage	5	V
Operating/Storage Temperature	-40°C To +85°C	
Lead Solder Temperature [2]	260°C For 5 Seconds	

Notes:

- 1/10 Duty Cycle, 0.1ms Pulse Width.
- 2mm below package base.



Super Bright Red

L-53SRD-G

