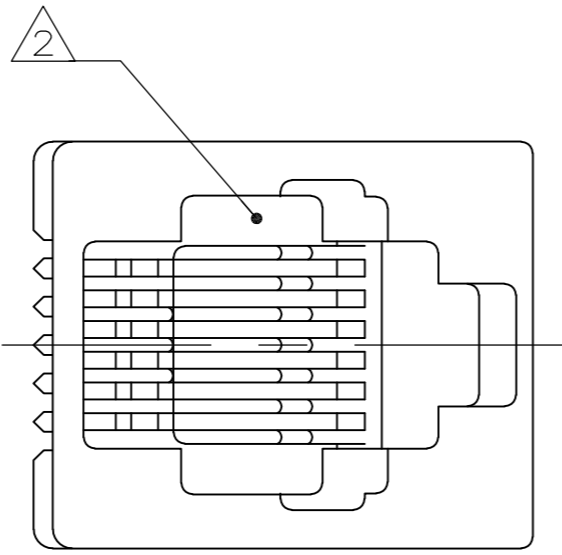


THIS DRAWING IS UNPUBLISHED. RELEASED FOR PUBLICATION  
 © COPYRIGHT - By - ALL RIGHTS RESERVED.

LOC		DIST		REVISIONS			
P	LTR	DESCRIPTION		DATE	DWN	APVD	
AA	00	D1	REVISED PER ECO-11-005140		28MAR11	RK	HMR

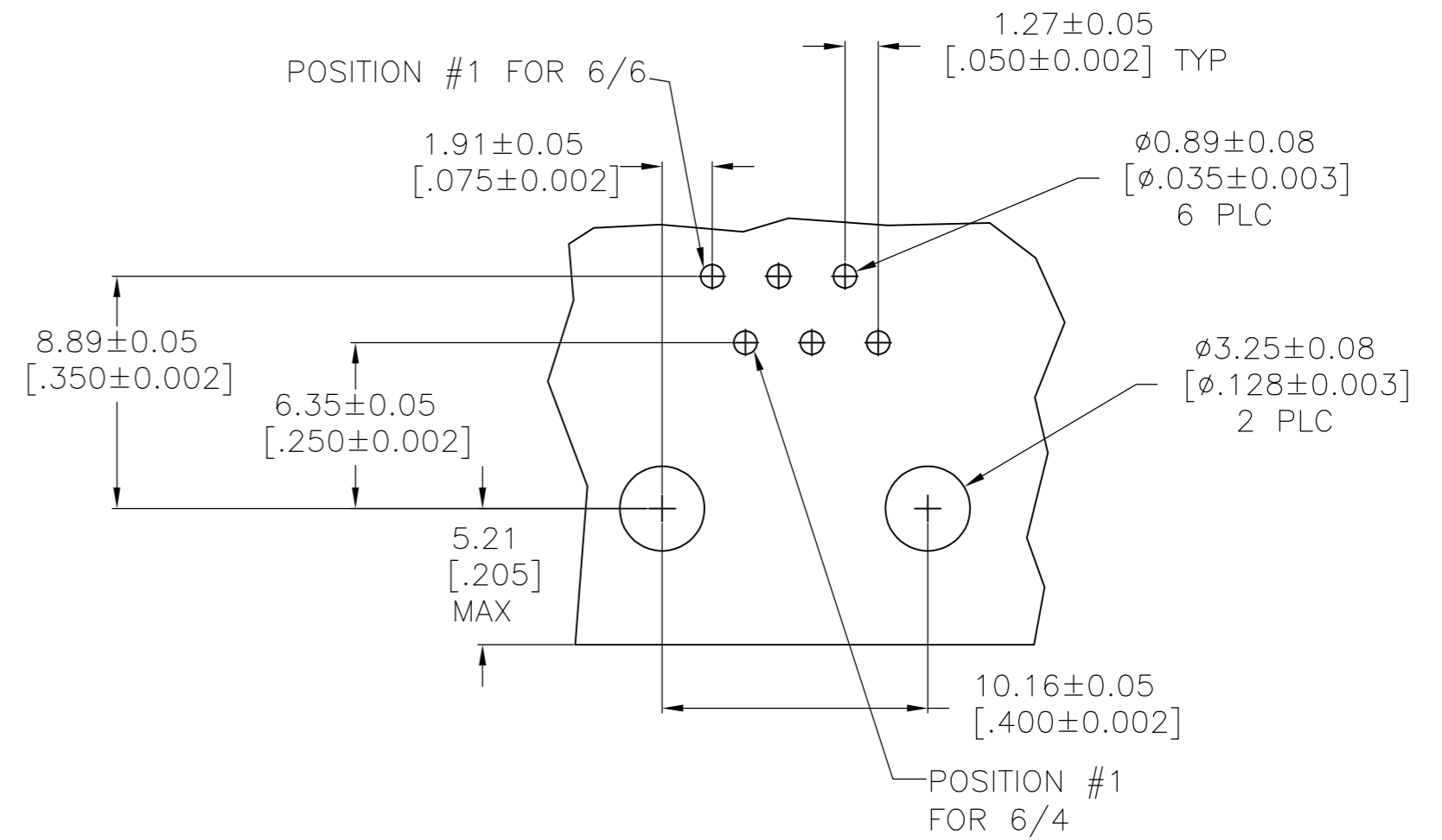
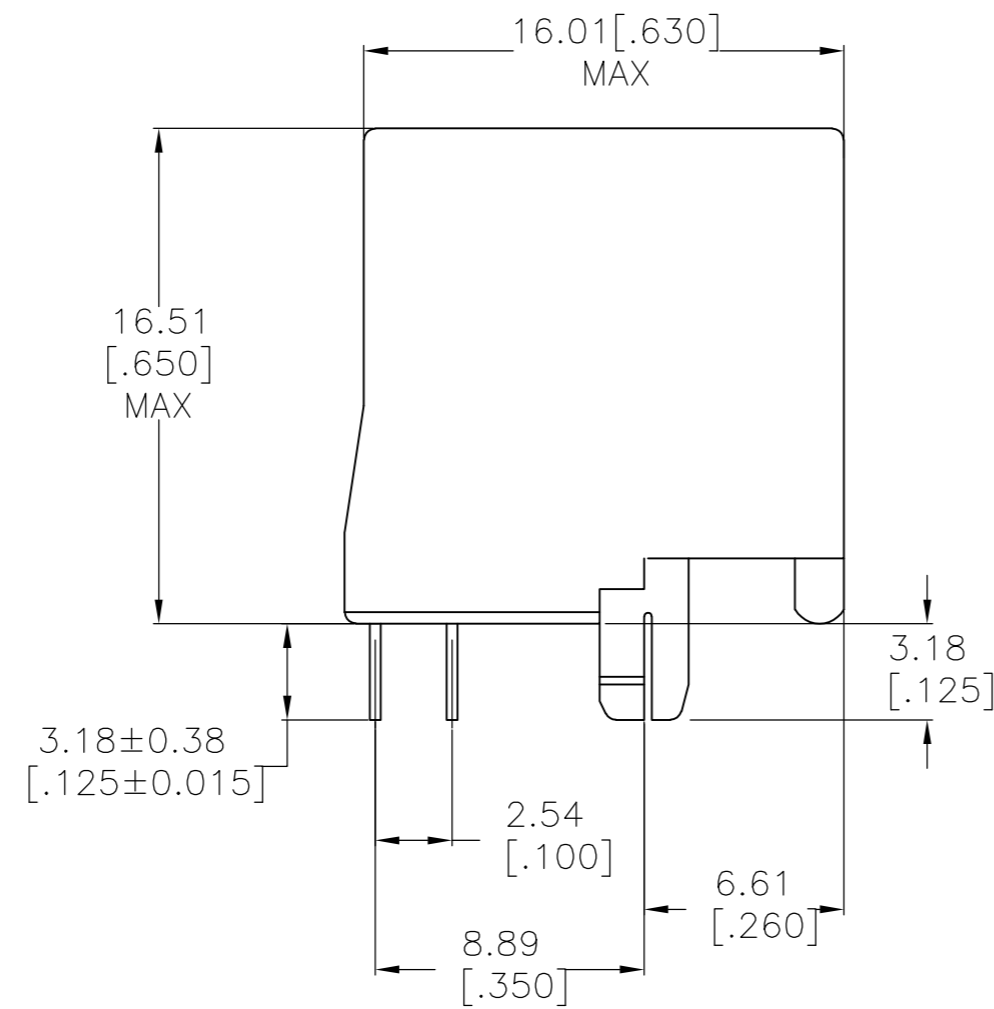
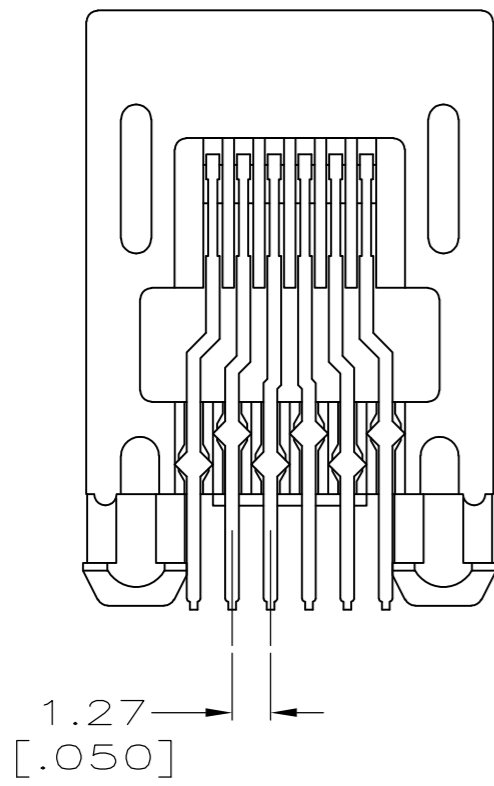


1. MATERIAL:  
 HOUSING - PBT POLYESTER, COLOR: BLACK.  
 TERMINAL - PHOS BRONZE PLATED WITH 1.27μm [.000050] THICK HARD GOLD IN LOCALIZED GOLD PLATE AREA AND 2.03μm [.000080] THICK MATTE TIN IN SOLDER AREA OVER 1.27μm [.000050] THICK NICKEL UNDERPLATE.

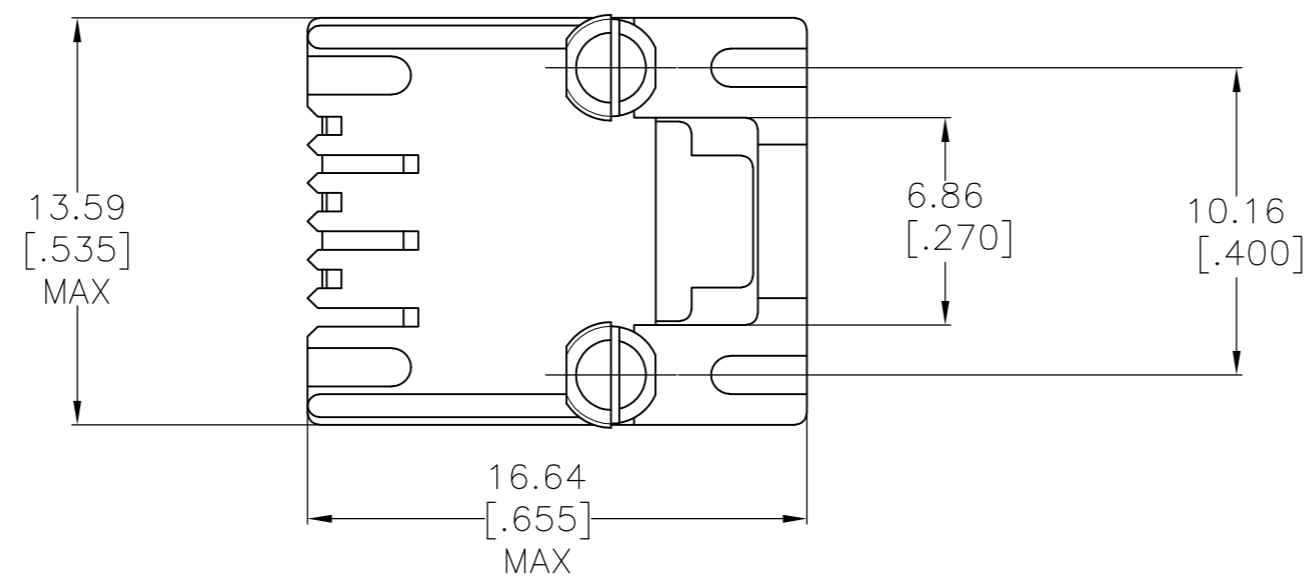
⚠ CAVITY CONFORMS TO FCC RULES AND REGULATIONS PART 68 AND REA BULLETIN 345-.81 PE-76 SPECIFICATION FOR MODULAR TELEPHONE HARDWARE.

⚠ BULK PACKAGED IN A TRAY

⚠ 34 ASSEMBLIES PACKAGED IN A TUBE.



PRINTED CIRCUIT BOARD LAYOUT COMPONENT SIDE



SUPERSEDED BY	REVISION	DESCRIPTION	PART NUMBER
-3	4	6	5520425-4
	3	6	5520425-3
	3	4	5520425-2
		PACKAGED	TERMINALS
			PART NUMBER

THIS DRAWING IS A CONTROLLED DOCUMENT.		DWN	16AUG2007	TE Connectivity	
DIMENSIONS: mm [INCHES]		CHK	P.RECCE	NAME	
TOLERANCES UNLESS OTHERWISE SPECIFIED:		APVD	S.FLICKINGER	MODULAR JACK ASSEMBLY, TOP ENTRY, 6 POSITION, WITHOUT PANEL STOPS	
0 PLC ± -		PRODUCT SPEC	108-1163	SIZE	CAGE CODE
1 PLC ± -		APPLICATION SPEC	114-2048	A2	00779
2 PLC ± 0.13 [.005]		MATERIAL	SEE NOTE 1	SCALE	SHEET
3 PLC ± -		FINISH	SEE NOTE 1	4:1	1 OF 1
4 PLC ± -		WEIGHT	-	REV	D1
ANGLES ± -		CUSTOMER DRAWING			

# Mouser Electronics

Authorized Distributor

Click to View Pricing, Inventory, Delivery & Lifecycle Information:

[TE Connectivity:](#)

[5520425-3](#)