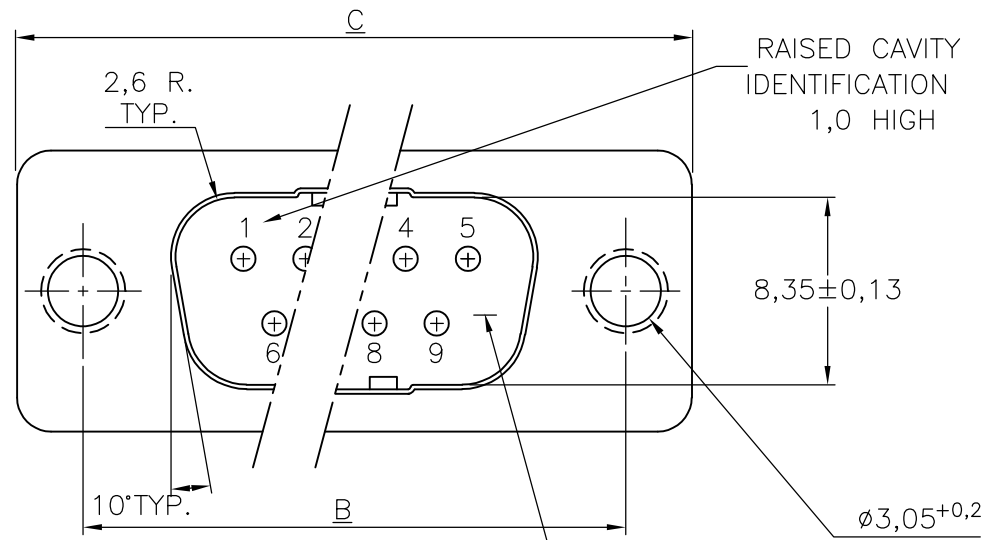


THIS DRAWING IS UNPUBLISHED. RELEASED FOR PUBLICATION
 © COPYRIGHT - By - ALL RIGHTS RESERVED.

LOC	DIST	REVISIONS			
P	LTR	DESCRIPTION	DATE	DWN	APVD
H	-	M2	REVISED PER ECO-11-005294	05APR11	RK HMR



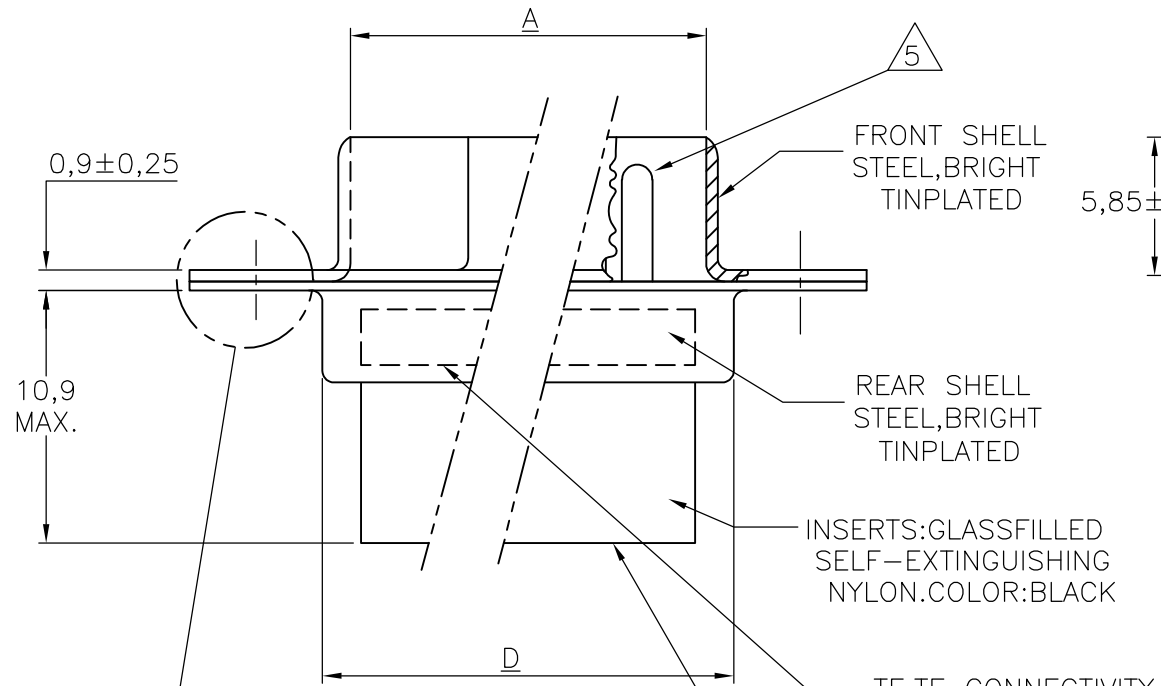
SIZE 1 THRU 4
CONFIGURATION

MATING FACE

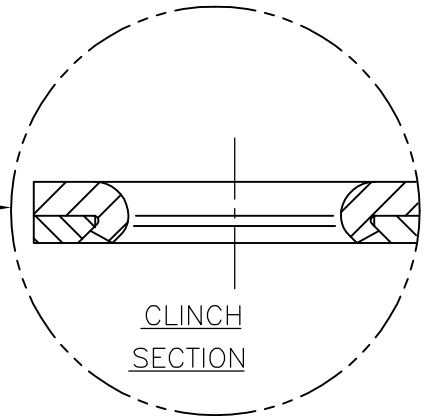
NOTES:

- THIS PLUG ACCEPTS SIZE 20 PIN CONTACTS.
- MAXIMUM WIRE INSULATION RECOMMENDED FOR USE WITH THIS PLUG IS 1,73 DIA. MAX..
- RETENTION TINES ARE AN INTEGRAL PART OF INSERT.
- FOLLOWING INSERTION/REMOVAL TOOLS ARE RECOMMENDED FOR USE WITH THESE CONNECTORS:

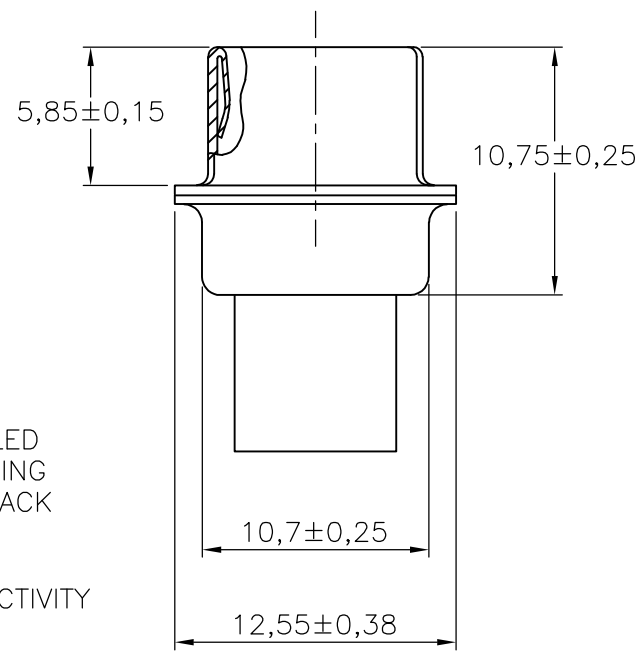
32-28AWG/28-24AWG CONT's	24-20AWG CONTACTS
91067-3 INSERTION/REMOVAL	91067-2 INSERTION/REMOVAL
726363-1 INSERTION ONLY	726363-1 INSERTION ONLY
	726364-1 REMOVAL ONLY
- CONTACTS SHOWN FOR ILLUSTRATION ONLY, NO PART OF CONNECTOR PACKAGE ;MUST BE ORDERED SEPARATELY.
- RAISED CAVITY IDENTIFICATION NUMBERS ON WIRE SIDE ARE WHITENED FOR -9 P/N'S.



TE,TE CONNECTIVITY
PARTNUMBER,
DATE CODE
INK STAMPED



CLINCH
SECTION



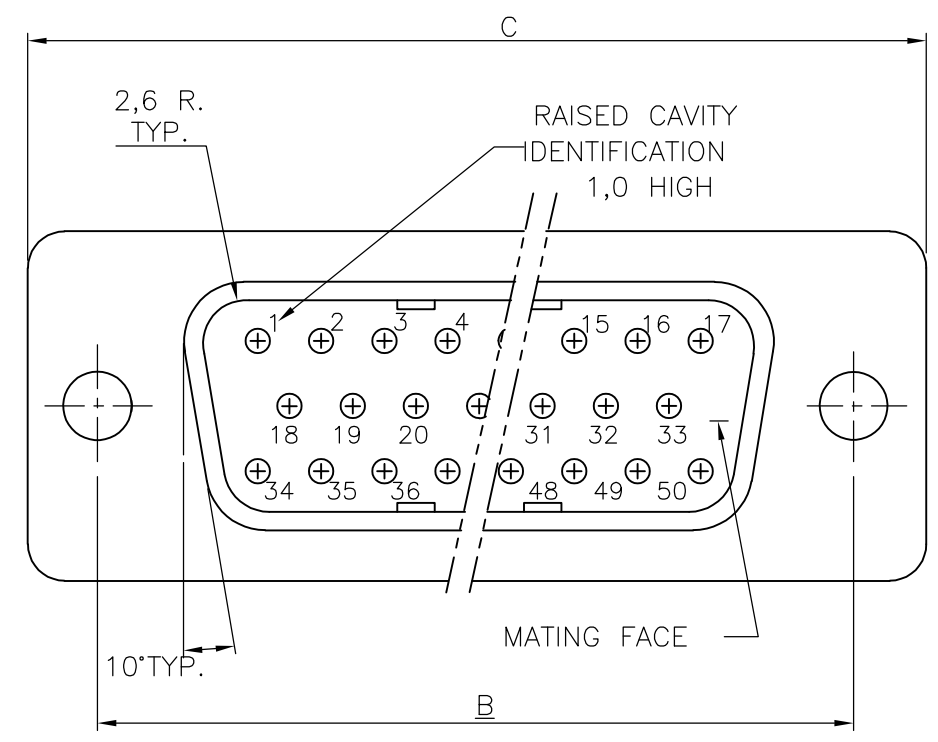
D	C	B	A	NR.OF POS	SIZE	ORDER NUMBER
55,3	66,9	61,1	52,9	50	5	167296-9 167296-1
57,7	69,3	63,5	55,4	37	4	167295-9 167295-1
41,3	53,0	47,0	39,0	25	3	167294-9 167294-1
27,5	39,1	33,3	25,3	15	2	167293-9 167293-1
19,3	30,8	25,0	16,9	9	1	167292-9 167292-1

FOR DETAILS SIZE 5, SEE SHEET 2.

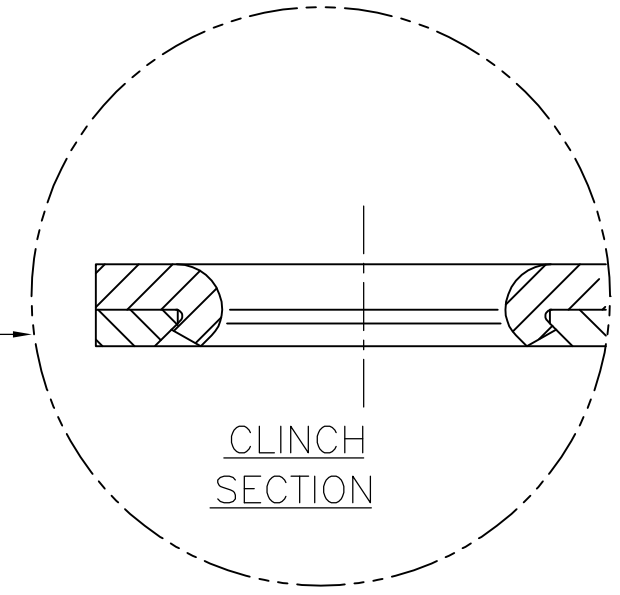
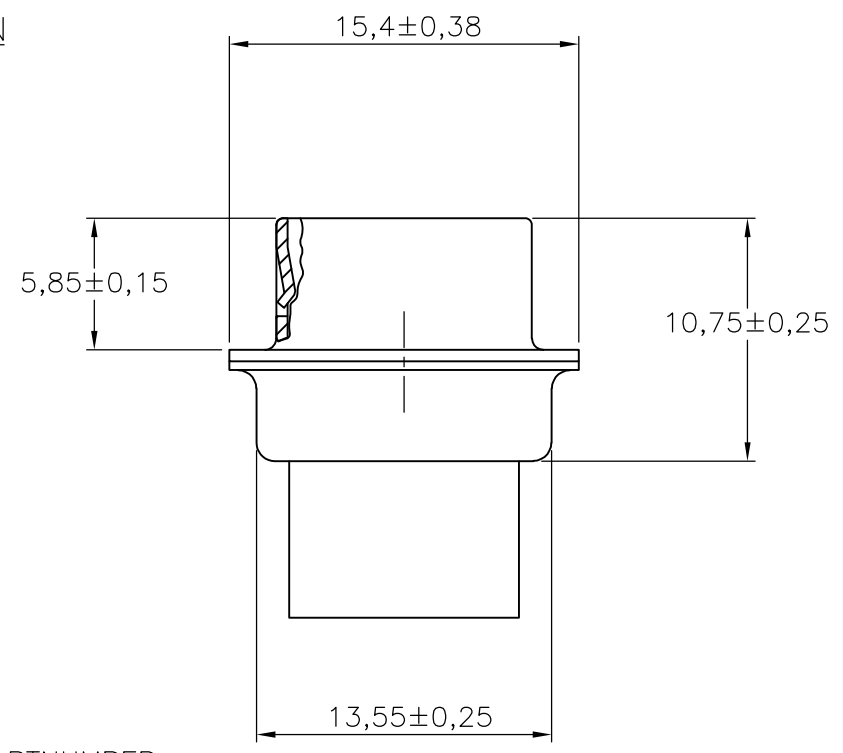
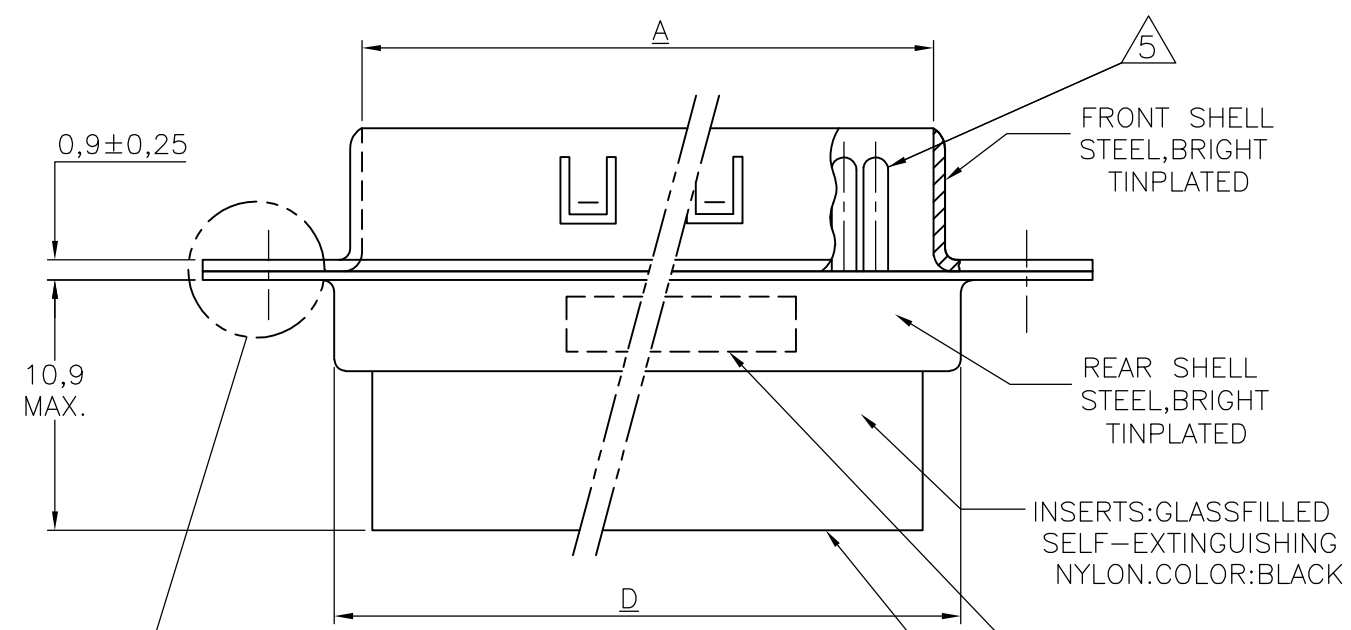
THIS DRAWING IS A CONTROLLED DOCUMENT.		DWN B.MOOIJ 20NOV87	TE Connectivity		
DIMENSIONS: mm		CHK -			
TOLERANCES UNLESS OTHERWISE SPECIFIED:		APVD -	NAME		
0 PLC ± -	1 PLC ± 0,2	PRODUCT SPEC -			
2 PLC ± -	3 PLC ± -	APPLICATION SPEC -	HDP-20 PLUG CONNECTOR, SIZE 1-4		
4 PLC ± -	ANGLES ± 2'	WEIGHT -			
MATERIAL -	FINISH -	SIZE CAGE CODE DRAWING NO		RESTRICTED TO	
		A3 00779 C-167292		-	
		CUSTOMER DRAWING	SCALE NTS	SHEET 1 OF 2	REV M2

THIS DRAWING IS UNPUBLISHED. RELEASED FOR PUBLICATION
 © COPYRIGHT - By - ALL RIGHTS RESERVED.

LOC	DIST	REVISIONS			
P	LTR	DESCRIPTION	DATE	DWN	APVD
H	-	SEE SHEET 1	-	-	-



SIZE 5
CONFIGURATION



TE,TE CONNECTIVITY PARTNUMBER,
DATE CODE INK STAMPED

RAISED CAVITY IDENTIFICATION. 6

THIS DRAWING IS A CONTROLLED DOCUMENT.		DWN B.MOOIJ 20NOV87	STE TE Connectivity				
DIMENSIONS: mm		CHK -					
TOLERANCES UNLESS OTHERWISE SPECIFIED:		APVD -	HDP-20 PLUG CONNECTOR, SIZE 5				
0 PLC ± -		PRODUCT SPEC -					
1 PLC ± 0,2		APPLICATION SPEC -	SIZE A3	CAGE CODE 00779	DRAWING NO C-167292	RESTRICTED TO -	
2 PLC ± -		WEIGHT -	CUSTOMER DRAWING		SCALE NTS	SHEET 2 OF 2	REV M2
3 PLC ± -							
4 PLC ± -							
ANGLES ± 2'							
FINISH -							

Mouser Electronics

Authorized Distributor

Click to View Pricing, Inventory, Delivery & Lifecycle Information:

[TE Connectivity:](#)

[167293-1](#)