



Delivery Specification

No.

CSS-85-30F-3-MI

Page

1/2

Part Name

Ceramic Ultrasonic Sensor 85F30TR-3MI

China Smart Sensor Technology

DATE : _____

TO : _____

AGENT : _____

**ULTRASONIC TRANSDUCER
SPECIFICATION**

DRAWN BY

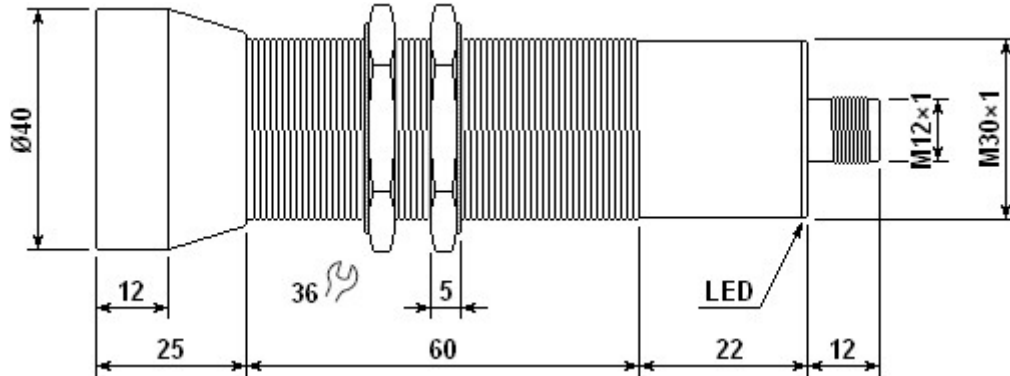
CHECKED BY

APPROVED BY



Delivery Specification	No. CSS-85-30F-3-MI	Page 2/2
Part Name Ceramic Ultrasonic Sensor 85F30TR-3MI	China Smart Sensor Technology	

1. OUTLINE DIMENSIONS (UNIT: mm)



2. CONNECTING METHOD



3. CHARACTERISTIC

Part number	85F30TR-3MI
Sensing range	230~3500 mm
Unusable area	0~230 mm
Standard target plate	100 mm×100 mm
Repeatability	< 0.5 mm
Resolution	< 1%
Adjustment	No
Sonic frequency	85kHz
Response time ton	< 30 ms
Release time toff	< 30 ms
Temperature drift	< 2% of distance to target So
Voltage supply range +Vs	24 VDC
Current consumption max.	35 mA
Output signal	4-20ma / pulse output
Current consumption max.	45 mA
Load resistance +Vs max.	1000 Ohm
Type	Cylindrical
Housing material	Brass nickel plated
Width / diameter	30 mm
Height / length	120 mm
Connection types	Connector V1
Operating temperature	-10 ~+60 °C
Protection class	IP 65