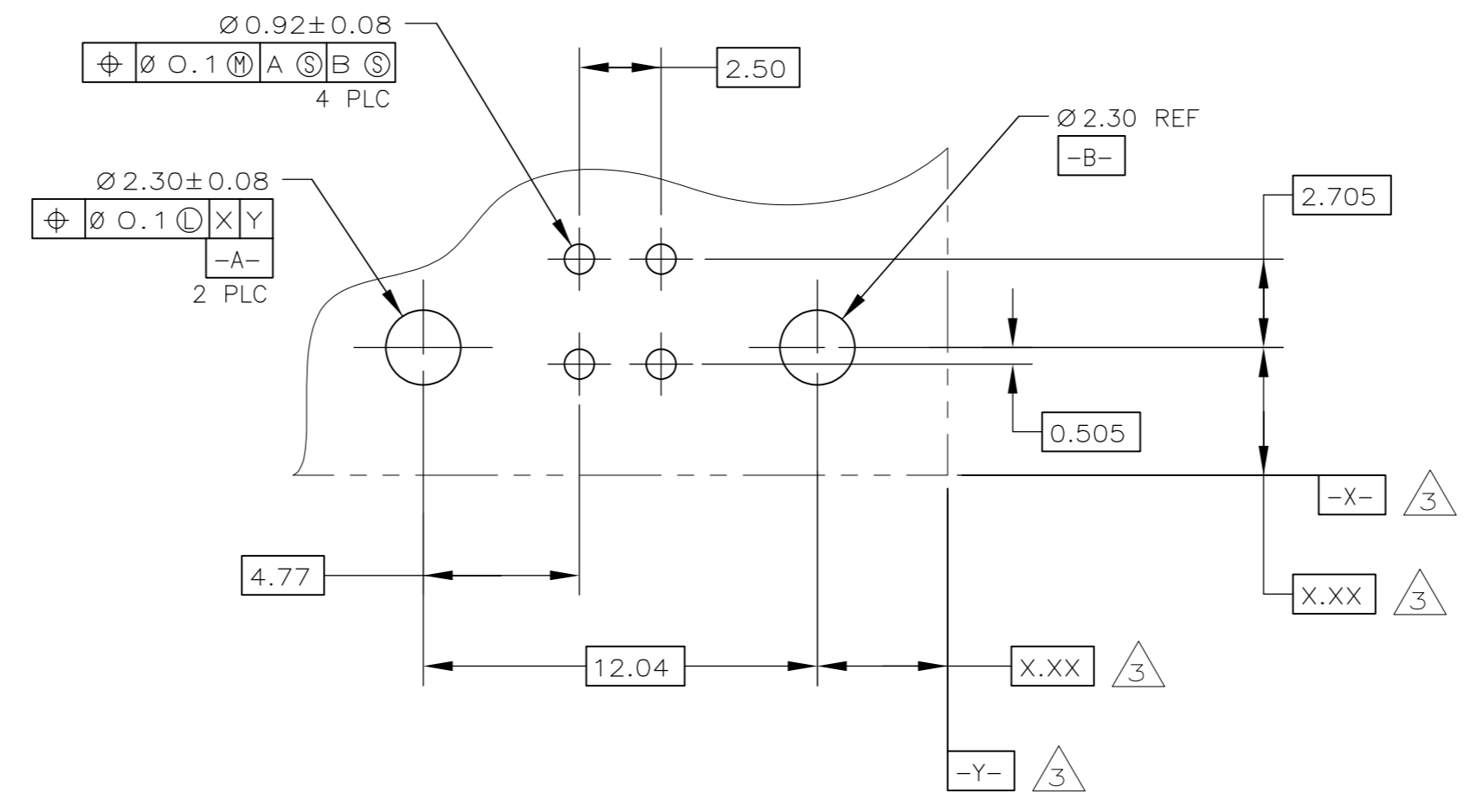
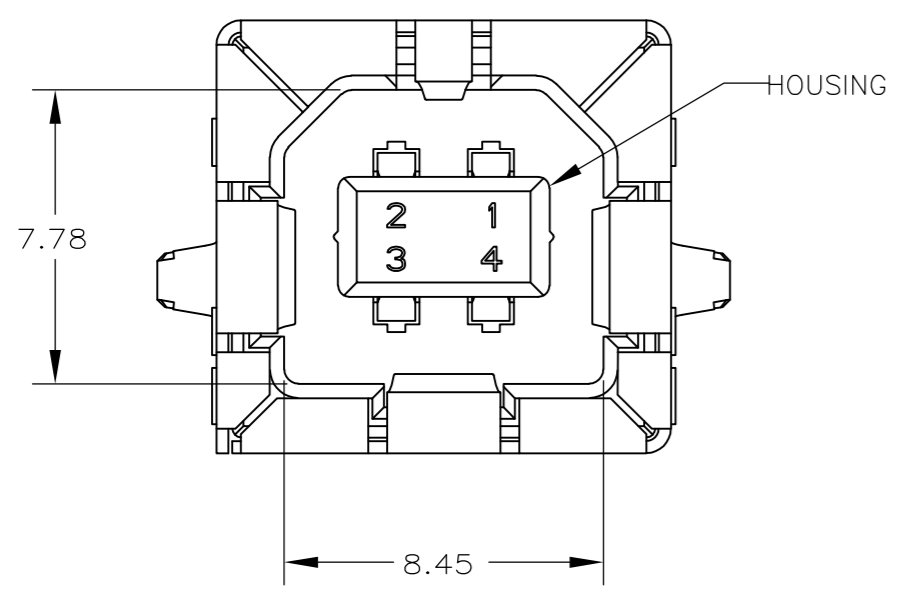
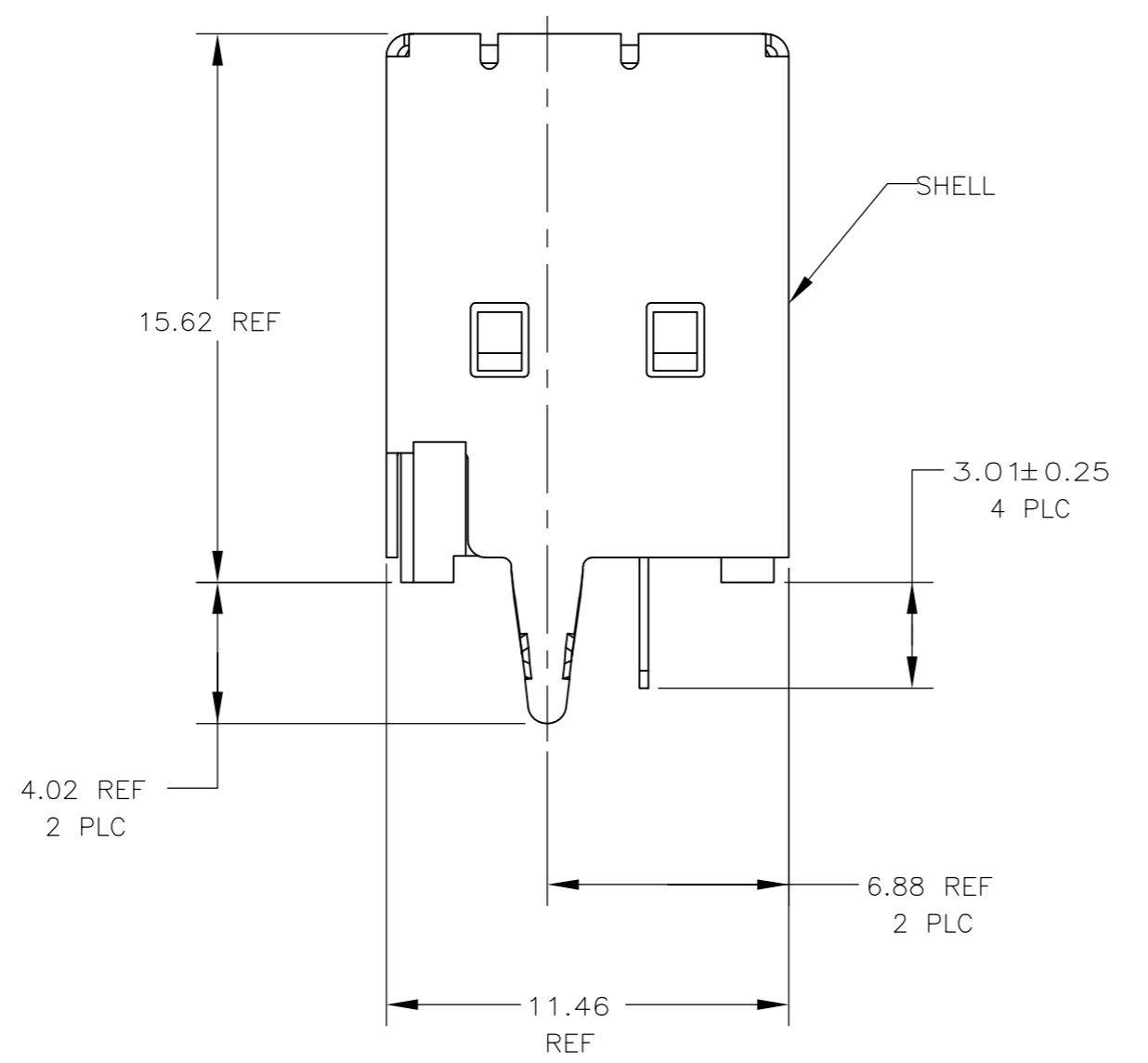
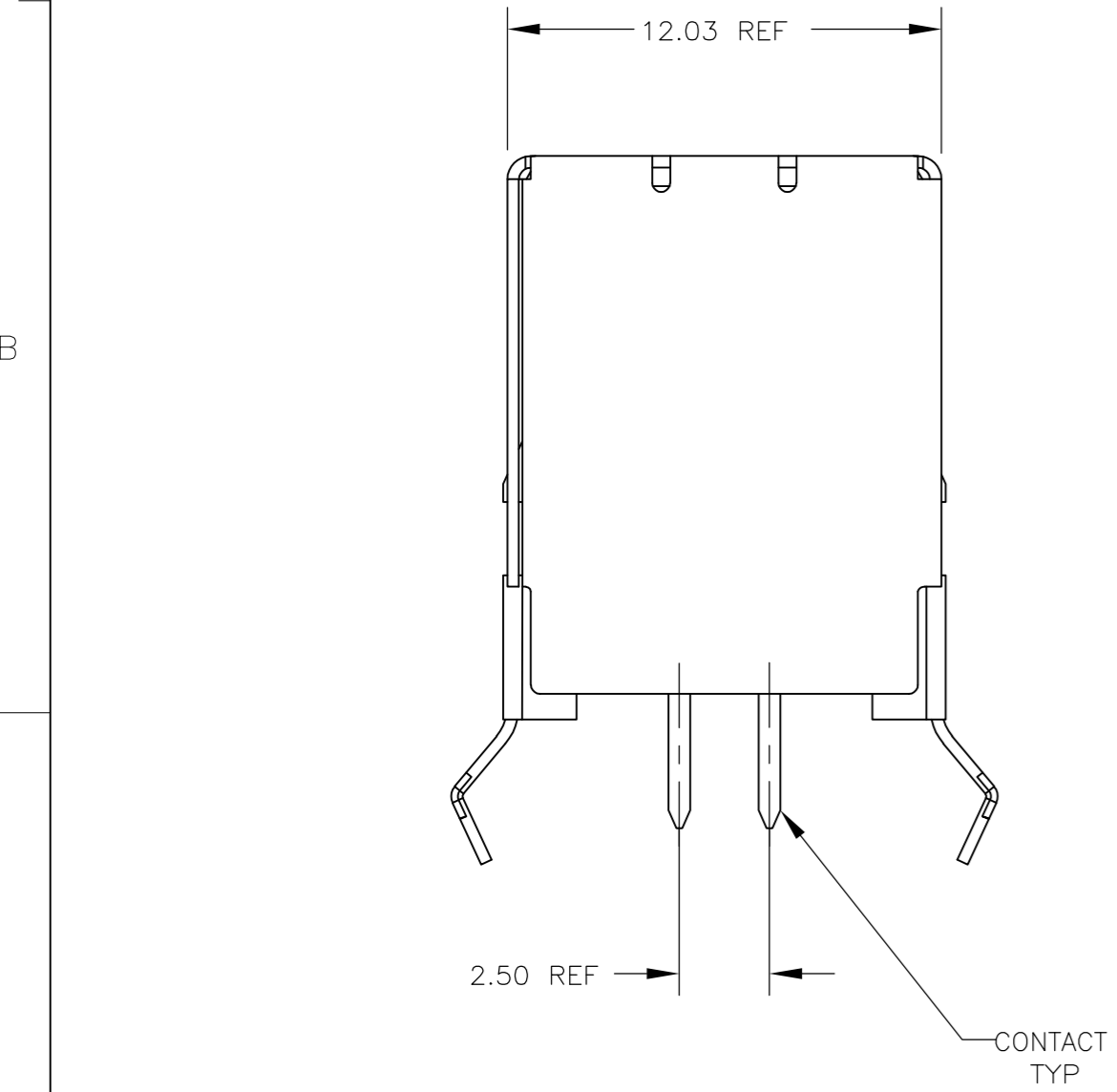


THIS DRAWING IS UNPUBLISHED. RELEASED FOR PUBLICATION
 © COPYRIGHT - By - ALL RIGHTS RESERVED.

LOC		DIST		REVISIONS			
P	LTR	DESCRIPTION		DATE	DWN	APVD	
ES	00	A1	REVISED PER ECO-11-005033		24MAR11	RK	HMR



LEAD FREE



- 1 MATERIAL:
SHELL & CONTACTS - COPPER ALLOY.
HOUSING - UL 94V-0 RATED, THERMOPLASTIC, FOR COLOR SEE TABLE.
- 2 PLATING:
CONTACTS - 0.076um MINIMUM GOLD OVER 0.76um MINIMUM PALLADIUM-NICKEL ON MATING AREA, 3.8um MINIMUM MATTE TIN ON SOLDER TAILS, BOTH OVER 1.27um MINIMUM NICKEL.
CONTACT ALTERNATE PLATING: 0.76um MINIMUM GOLD ON MATING AREA, 3.80um MINIMUM MATTE TIN ON SOLDER TAILS, BOTH OVER 1.27um MINIMUM NICKEL.
SHELL - 2~5um MINIMUM BRIGHT TIN.
- 3 DATUM AND BASIC DIMENSIONS ESTABLISHED BY CUSTOMER.
- 4 RECOMMENDED PC BOARD THICKNESS OF 1.57mm.

NATURAL	0-5787834-2
BLACK	0-5787834-1
HOUSING COLOR	PART NUMBER

THIS DRAWING IS A CONTROLLED DOCUMENT.		DWN Ivanov Wang 28MAY2004																
DIMENSIONS: mm		CHK Steven Yao 28MAY2004																
TOLERANCES UNLESS OTHERWISE SPECIFIED:		APVD Takinori Sasaki 28MAY2004	NAME															
<table border="1"> <tr><td>0 PLC</td><td>± -</td></tr> <tr><td>1 PLC</td><td>± 0.1</td></tr> <tr><td>2 PLC</td><td>± 0.05</td></tr> <tr><td>3 PLC</td><td>± 0.013</td></tr> <tr><td>4 PLC</td><td>± -</td></tr> <tr><td>ANGLES</td><td>± -</td></tr> <tr><td>FINISH</td><td>± -</td></tr> </table>		0 PLC	± -	1 PLC	± 0.1	2 PLC	± 0.05	3 PLC	± 0.013	4 PLC	± -	ANGLES	± -	FINISH	± -	PRODUCT SPEC	RECEPTACLE ASSY, 4 POS. VERTICAL, THRU-HOLE, TYPE B UNIVERSAL SERIAL BUS	
0 PLC	± -																	
1 PLC	± 0.1																	
2 PLC	± 0.05																	
3 PLC	± 0.013																	
4 PLC	± -																	
ANGLES	± -																	
FINISH	± -																	
MATERIAL		APPLICATION SPEC	SIZE A2	CAGE CODE 00779														
- 1		WEIGHT	DRAWING NO C=5787834	RESTRICTED TO														
- 2		CUSTOMER DRAWING	SCALE 5:1	SHEET 1 OF 1														
			REV A1															

Mouser Electronics

Authorized Distributor

Click to View Pricing, Inventory, Delivery & Lifecycle Information:

[TE Connectivity:](#)

[5787834-1](#)