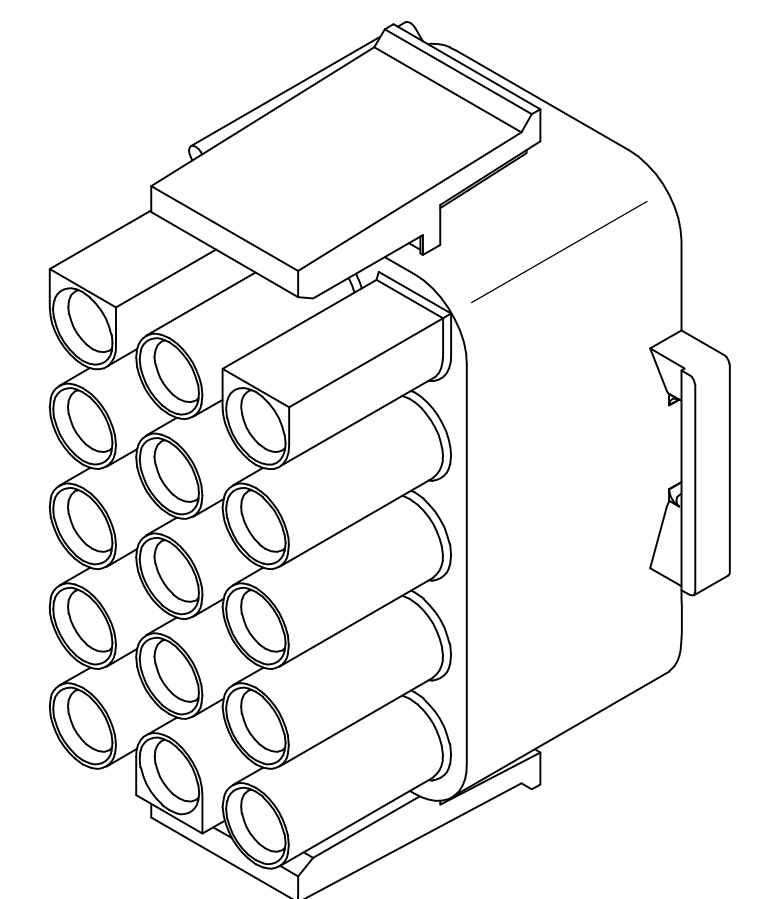
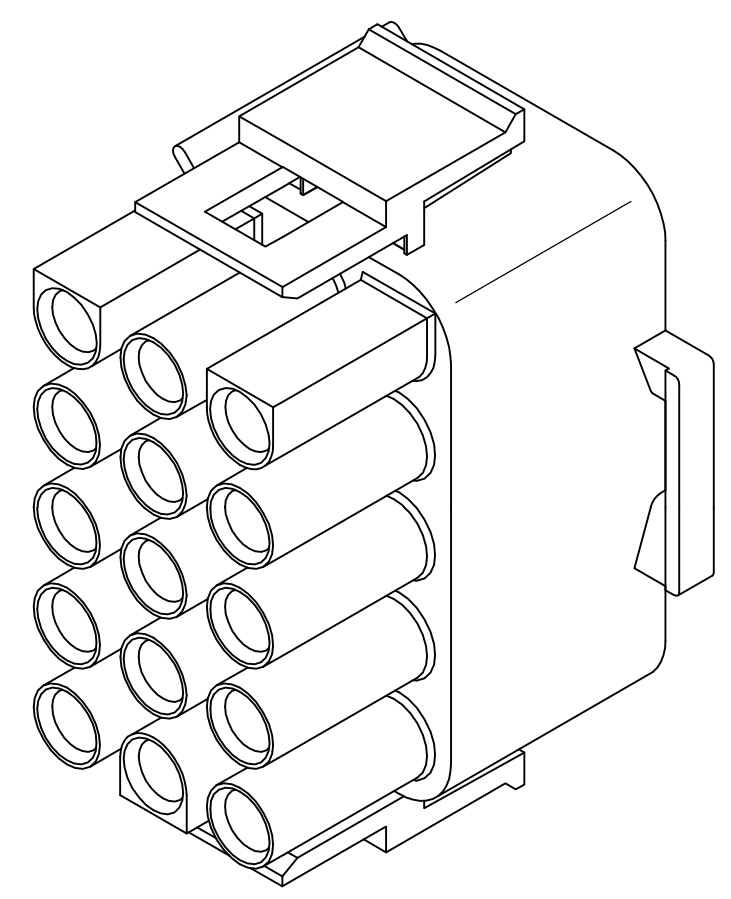
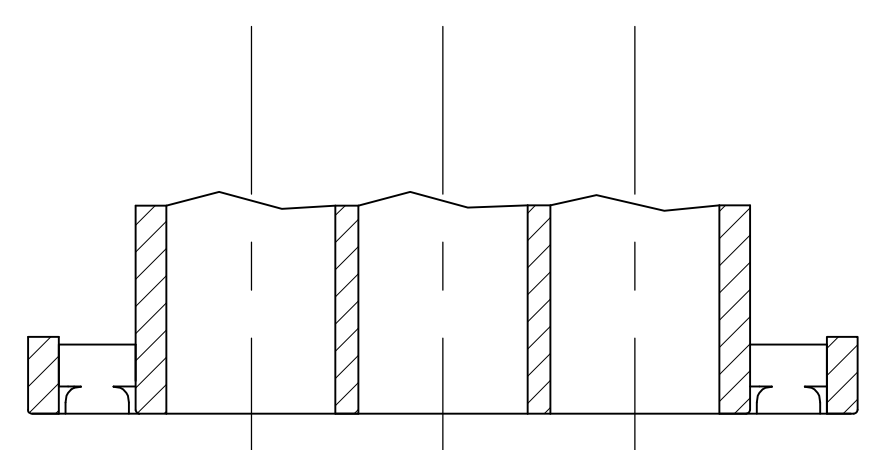


- MATES WITH APPROPRIATE UNIVERSAL MATE-N-LOK™ CAP OR HEADER.
 - SMALL NICKS ARE PERMITTED ON THE CIRCUIT TOWERS WHICH COULD INCREASE THE INITIAL HOUSING MATING FORCE BY UP TO 4.4 NEWTONS [1.0 LBS]. NO INDIVIDUAL NICKED TOWER SHALL INCREASE THIS FORCE BY OVER 2.2 NEWTONS [.5 LBS].
- △3 DIMENSION INDICATED IS AS MOLDED. ADDITIONAL GROWTH DUE TO SUBSEQUENT MOISTURE ABSORPTION MAY OCCUR.
 - △4 FOUR RIBS EQUALLY SPACED, NO SPECIFIC ORIENTATION. OR SIX RIBS EQUALLY SPACED, NO SPECIFIC ORIENTATION, OPTIONAL.
 - △5 NOT MANUFACTURED IN U.S.
 - △6 UNDERWRITERS RECOGNIZED COMPONENT LOGO AND CSA CERTIFICATION LOGO TO BE LOCATED ONCE ON EACH SIDE OF HOUSING.

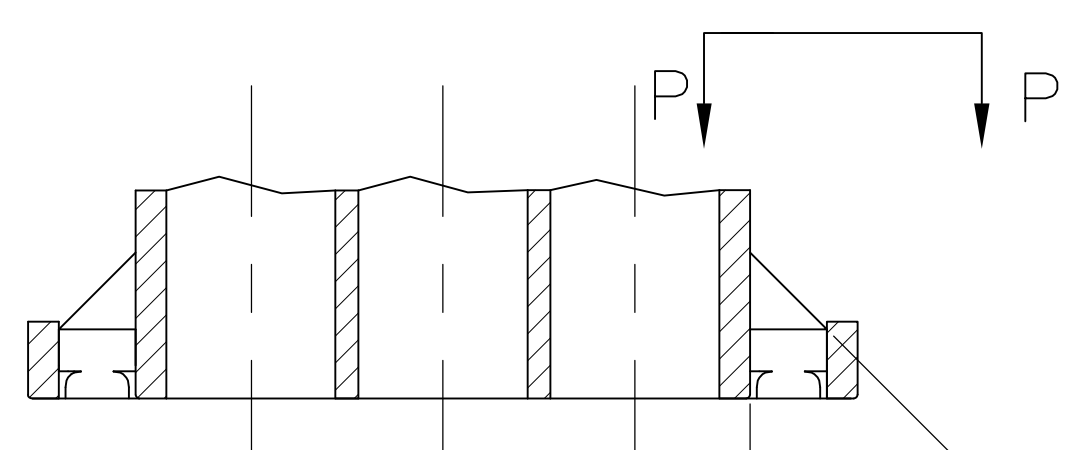


350736-4 3-DIMENSIONAL MODEL NTS

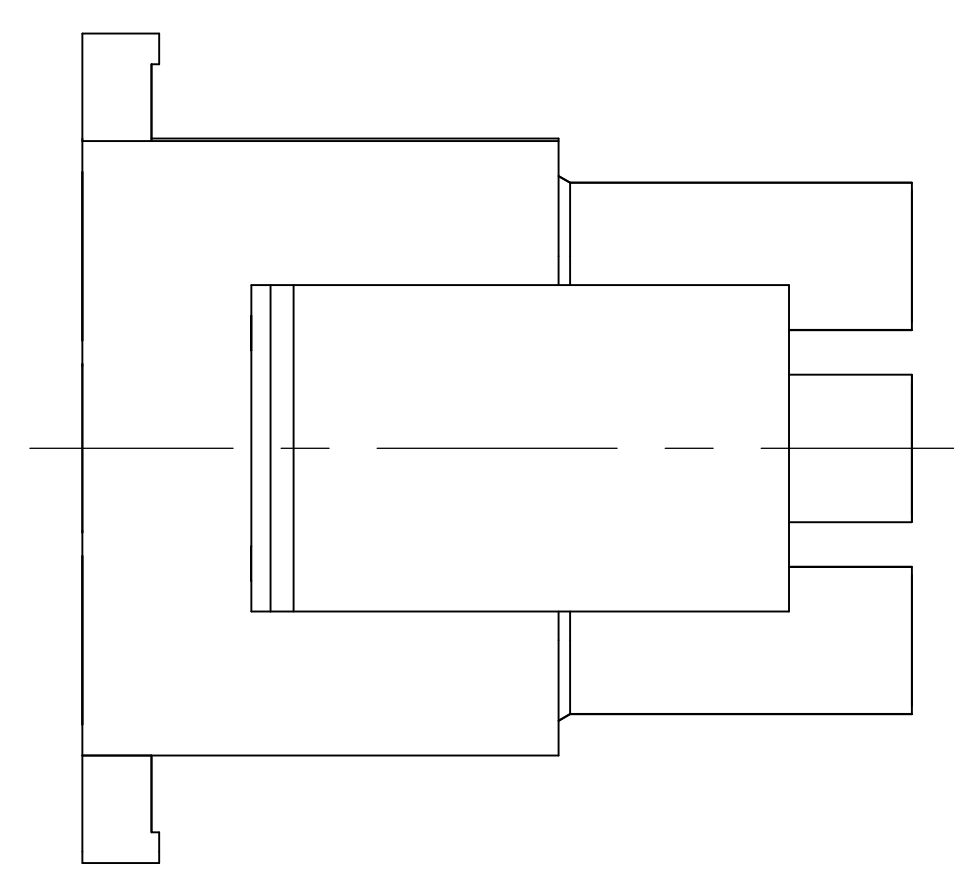
3-DIMENSIONAL MODEL NTS



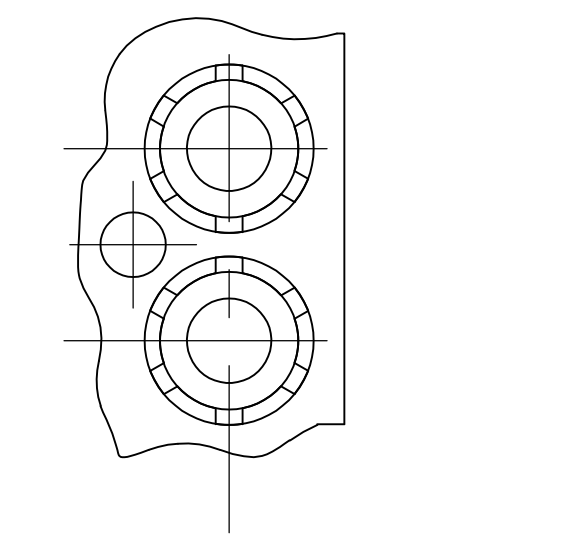
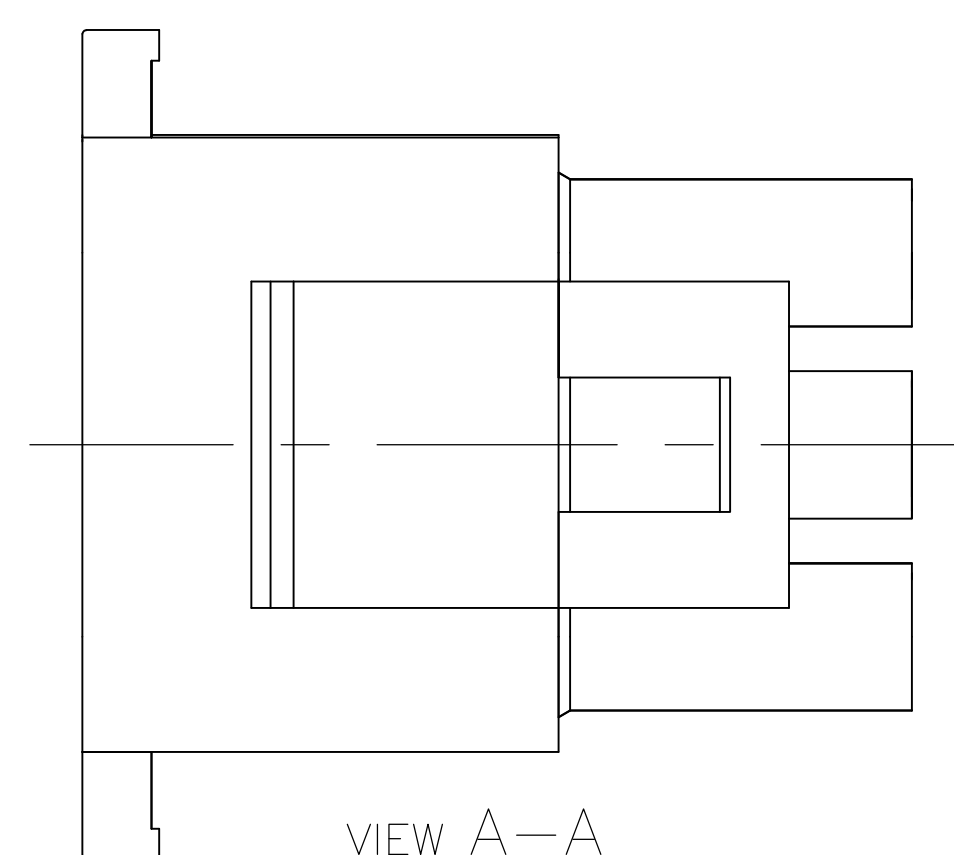
PARTIAL SECTION C-C



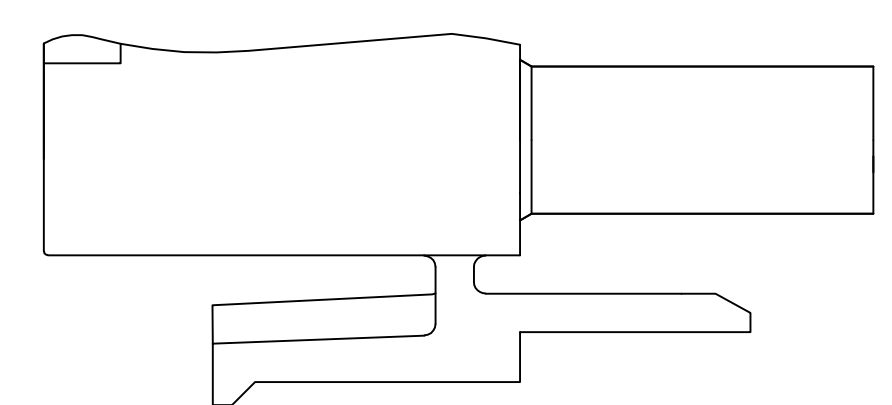
PARTIAL SECTION C-C OPTIONAL CONSTRUCTION 45° REF



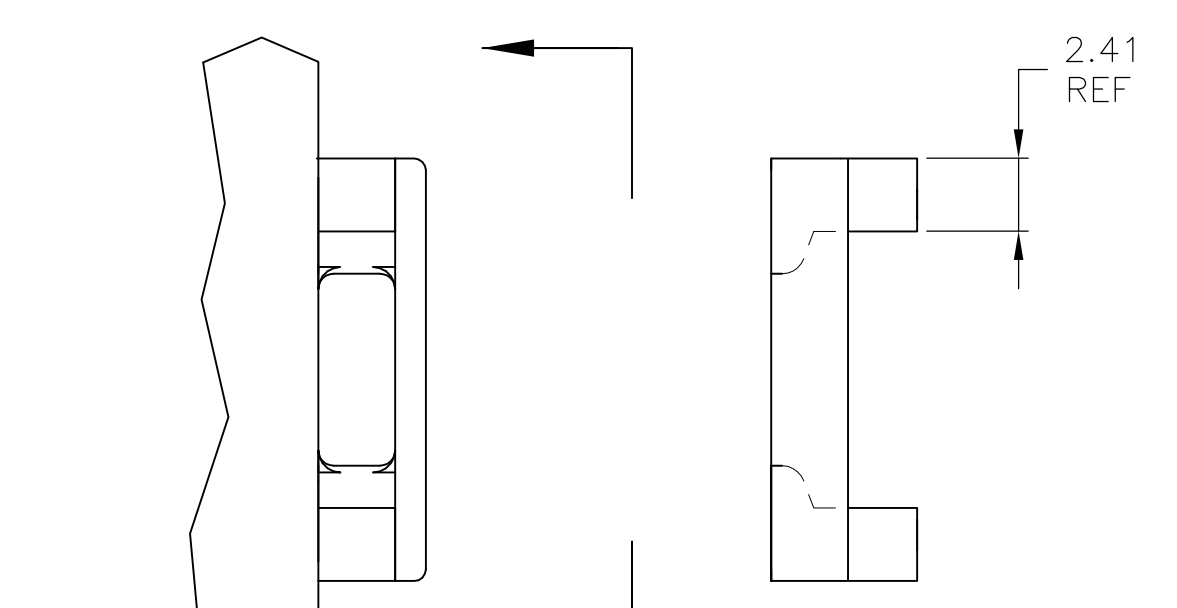
VIEW A-A 350736-4 ONLY



PARTIAL DETAIL D OPTIONAL CONSTRUCTION

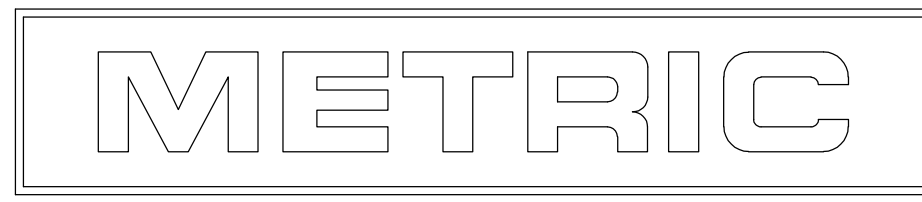


DETAIL B 350736-4 ONLY



VIEW P OPTIONAL CONSTRUCTIONS

BLACK	1-350736-9
GRAY	1-350736-8
BLUE	1-350736-6
GREEN	1-350736-5
YELLOW	1-350736-4
ORANGE	1-350736-3
RED	1-350736-2
BROWN	1-350736-1
△	350736-4
NATURAL	350736-1
COLOR	PART NUMBER



THIS DRAWING IS A CONTROLLED DOCUMENT.

DIMENSIONS: mm	TOLERANCES UNLESS OTHERWISE SPECIFIED:	DWN: K. WHITAKER 20FEB92	CHK: R. SWING 20FEB92	APVD: D. SELF 24FEB92	NAME: PLUG, 15 CIRCUIT, UNIVERSAL MATE-N-LOK™
0. PLC ± -	1. PLC ± -	MATERIAL: NYLON, UL 94V-0		FINISH: -	SIZE: A1
2. PLC ± 0.13	3. PLC ± -	WEIGHT: -		SCALE: 4:1	SHEET 1 OF 1
4. PLC ± -	ANGLES ± 0.30°	CUSTOMER DRAWING		REV: W	

Mouser Electronics

Authorized Distributor

Click to View Pricing, Inventory, Delivery & Lifecycle Information:

[TE Connectivity:](#)

[350736-4](#)