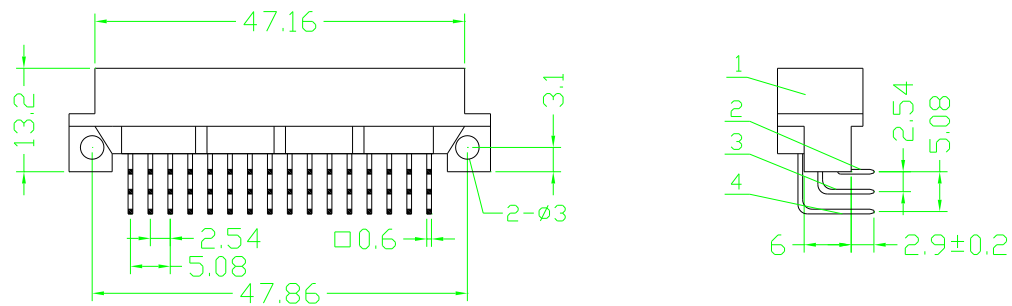


序号/RevNo.	名称/Title	文件编号/File No.
1	149M塑料件	QJ/XYT-11188
2	欧式公端端子(短弯)	QJ/XYT-11170
3	欧式公端端子(中弯)	QJ/XYT-11171
4	欧式公端端子(长弯)	QJ/XYT-11172



Specifications:

Contact Resistance: 30mΩ max.at DC 100 mA
 Insulator Resistance: 1000MΩ min.at DC 500V
 Current Rating: 2AMP

Dielectric Withstanding

Voltage: AC 1000V For 1 minute
 Operating Temperature:-55°C--+105°C

Contact: Brass

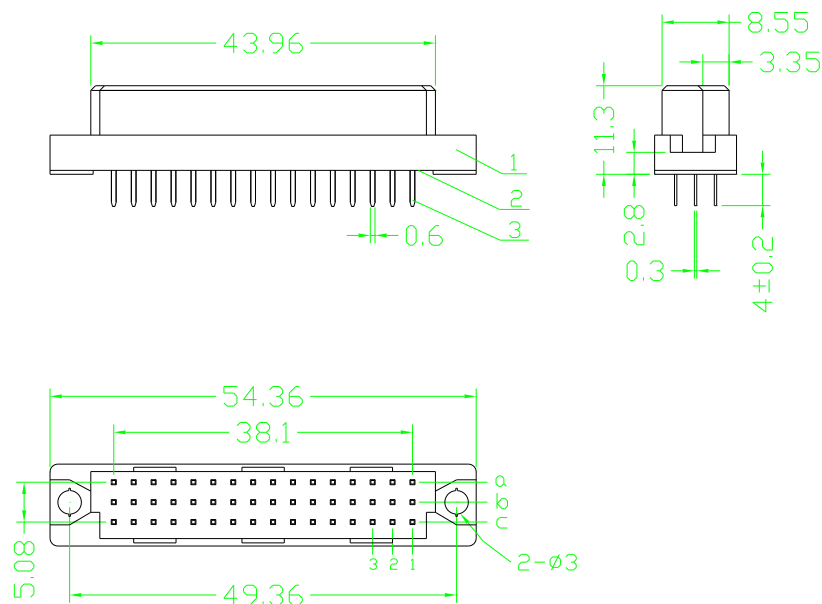
Housing: PBT &30% Glass Fiber(UL 94V-0)

Pitch	Position	Rows with contacts
2.54mm	96	abc
	64	a-c
5.08mm	48	abc
	32	a-c

设计/Designed by	绘图/Drawing by	审核/Checked by	批准/Approved by	未注公差 General Tolerance
				x. ±0.2 x.' ±2" .x ±0.1 .x' ±1" .xx ±0.05 .x' ±0.5" .xxx ±0.01 .xx' ±0.1"
		图名/Title	文件编号/File No.	
		149M产品图	QJ/XYT-12110	
		备注/Remark	页序/Sheet	单位/Units: mm

序号/RevNo.	更改记录/Revision note	签名/Signature	日期/Date

序号/RevNo.	名称/Title	文件编号/File No.
1	149F塑件主体	QJ/XYT-11189
2	149F塑件盖板	QJ/XYT-11190
3	欧式母端端子	QJ/XYT-11173



Specifications:

Contact Resistance: 30mΩ max.at DC 100 mA
 Insulator Resistance: 1000MΩ min.at DC 500V
 Current Rating: 2AMP

Dielectric Withstanding

Voltage: AC 1000V For 1 minute
 Operating Temperature:-55°C--+105°C

Contact: Phosphor Bronze

Housing: PBT &30% Glass Fiber(UL 94V-0)

Pitch	Position	Rows with contacts
2.54mm	96	abc
	64	a-c
5.08mm	48	abc
	32	a-c

设计/Designed by	绘图/Drawing by	审核/Checked by	批准/Approved by	未注公差 General Tolerance
				x. ±0.2 x.' ±2" .x ±0.1 .x' ±1" .xx ±0.05 .x' ±0.5" .xxx ±0.01 .xx' ±0.1"
		图名/Title	文件编号/File No.	
		149F产品图	QJ/XYT-12111	
		备注/Remark	页序/Sheet	单位/Units: mm

序号/RevNo.	更改记录/Revision note	签名/Signature	日期/Date