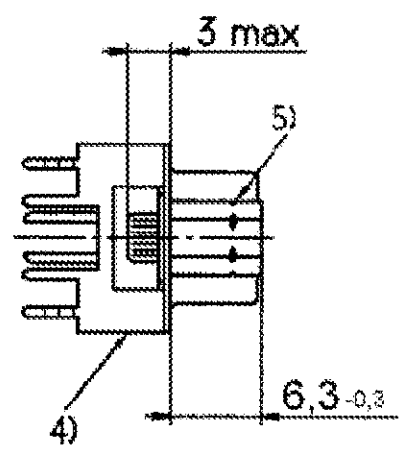
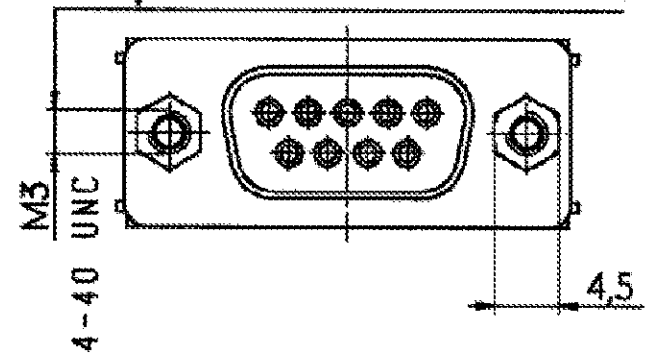


THIS INFORMATION IS CONFIDENTIAL AND PROPRIETARY TO TYCO ELECTRONICS CORPORATION AND ITS WORLDWIDE SUBSIDIARIES AND AFFILIATES. IT MAY NOT BE DISCLOSED TO ANYONE, OTHER THAN TYCO ELECTRONICS PERSONNEL, WITHOUT WRITTEN AUTHORIZATION FROM TYCO ELECTRONICS CORPORATION, HARRISBURG PENNSYLVANIA USA

mit Masselötstiften und Gewindebolzen:  
 with grounding soldering-pins and screwlock stud bolts: 3)

M3: 4-40 UNC:  
 V42254-A2219-B\*\*\* V42254-A2216-B\*\*\*  
 V42254-A2218-B\*\*\*  
 V42254-A2819-B\*\*\* V42254-A2816-B\*\*\*  
 V42254-A2818-B\*\*\*

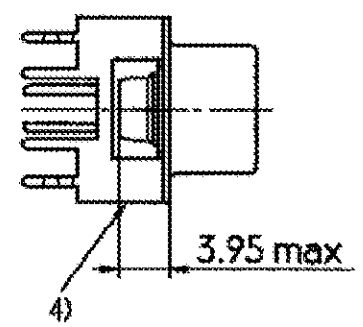
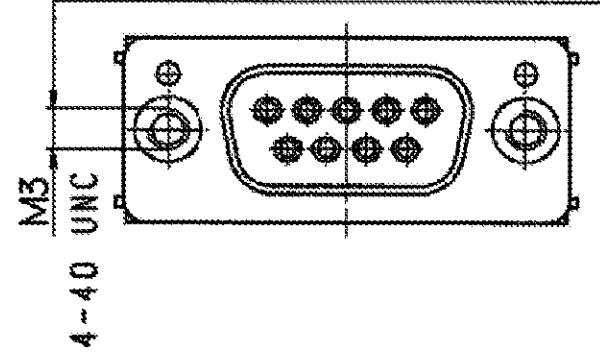
Verdrehsicherheit  $\geq 70$  Ncm  
 torque retention  $\geq 70$  Ncm



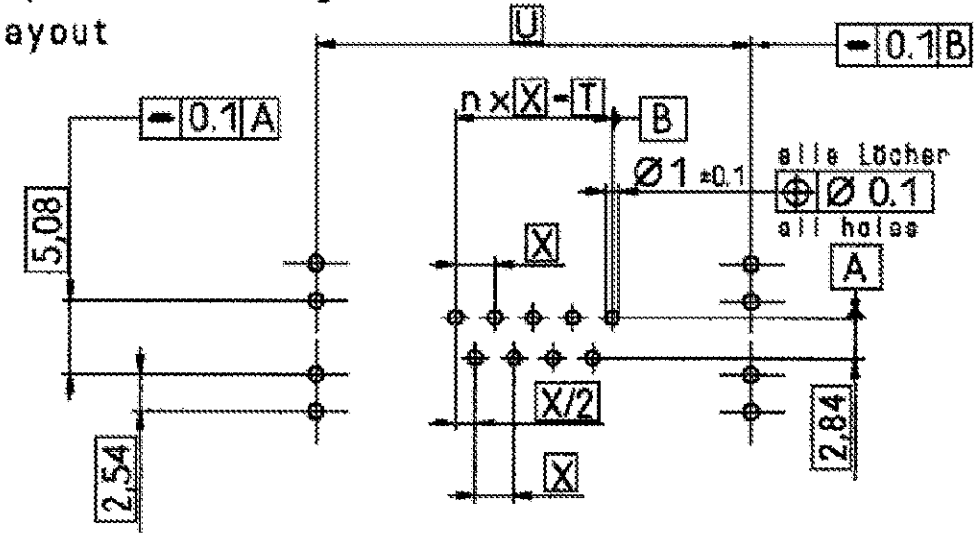
mit Masselötstiften und Stop-Mutter:  
 with grounding soldering-pins and thread: 3)

M3: 4-40 UNC:  
 V42254-A2214-B\*\*\* V42254-A2212-B\*\*\*  
 V42254-A2814-B\*\*\* V42254-A2812-B\*\*\*

Verdrehsicherheit  $\geq 130$  Ncm  
 torque retention  $\geq 130$  Ncm



Leiterplattenbohrung  
 PCB layout



Polzahl No. of contacts	n	Abmessungen in mm dimensions in mm		
		T	U	X
9	4	10.96	30.4	2.74
15	7	19.18	38.8	2.74
25	12	33.12	52.7	2.76
37	18	49.68	69.1	2.76

Erläuterungen: Seite 1  
 dargestellt wird die 9-polige Ausführung  
 remarks: see page 1  
 drawn is the 9-contacts version

**TE Connectivity**

SCALE 2:1 WEIGHT

MATERIAL

DATE 01.03.90  
 NAME Embo  
 DEP. PE Com PE&SE

PART NAME Sub-D Loetsliften gerade  
 Buchsenteiste  
 D-Sub straight soldering pins  
 female connector

PART NO. V42254-A2\*\*\*-B\*\*\*-27 SH. 4+

REV. CHANGE ORDER DATE APP. Customer Drawing Nr. C-7-1393483-1 OF 8