

**CONNECT AND PROTECT**

# Air Filtered Fans

01/2023

  
nvent

**SCHROFF**

# Climate control – Air filtered fan

**OVERVIEW**

**MAIN CATALOG**

- Cabinets . . . . . 1
- Wall mounted cases . . . . . 2
- Accessories for cabinets and wall mounted cases . . . 3
- Climate control . . . 4
- Electronics cases . . . . . 5
- Subracks/ 19" chassis . . . . . 6
- Front panels, plug-in units . . . . . 7
- Systems . . . . . 8
- Power supply units . . . . . 9
- Backplanes . . . . . 10
- Connectors, front panel component system . . . . . 11
- Appendix . . . . . 12



01108012



01108014

Simple to fit without tools by clipping in (can also be bolted)



01108015

Easy tool-less change of filter mat



01108016

Fluted filter to increase degree of ingress protection from IP 54 to IP 55



01108013

Easy tool-less wiring with spring clamp connector

# Climate control – Air filtered fan

## OVERVIEW

### AIR FILTERED FANS, INGRESS PROTECTION FROM IP 54 TO IP 55 IN ACCORDANCE WITH IEC 60529

- Simple to fit without tools by clipping in (can also be bolted)
- Easy conversion from pressure to suction operation
- Easy tool-less change of filter mat
- 7 performance classes with 6 different assembly dimensions



Air filtered fans

01108017

#### AIR FILTERED FANS

- Airflow capacity of 25 m<sup>3</sup>/h ... 770 m<sup>3</sup>/h (FL 100 ... FL 600)
- 3 supply voltages (230 V<sub>AC</sub>, 115 V<sub>AC</sub>, 24 V<sub>DC</sub>)
- Outlet/inlet filter
- Fluted filter to increase degree of ingress protection from IP 54 to IP 55
- Side by side mounting of several air filtered fans is possible



Outlet/inlet filters

01108026



Fluted filters

01108016

#### SERVICEPLUS

- e.g. special colours
- e.g. other cabinet dimensions
- e.g. EMC solutions
- e.g. custom solutions

30407004

Overview . . . . . 4.20

How to dimension  
air filtered fans . . . 4.22  
Reading example . . . 4.22  
EMC solutions . . . . 4.22

Air filtered fans  
FL 100 . . . . . 4.23  
FL 200 . . . . . 4.24  
FL 225 . . . . . 4.25  
FL 250 . . . . . 4.26  
FL 300 . . . . . 4.27  
FL 500 . . . . . 4.28  
FL 600 . . . . . 4.29

# Climate control – Air filtered fans

## AIR FILTERED FAN CALCULATIONS



01108017

To establish the size of the air-filtered fan required, calculate the air throughput necessary to dissipate the amount of heat contained in the cabinet. The necessary airflow volume (at sea level) is calculated thus:

$$V = f \times (P_V - P_S) / \Delta T \text{ with}$$

$V$  = airflow volume

$f$  = air constant =  $3.3 \text{ m}^3 \text{ K/Wh}$

$P_V$  = thermal power loss

(sum of heat emitted by the equipment in the cabinet)

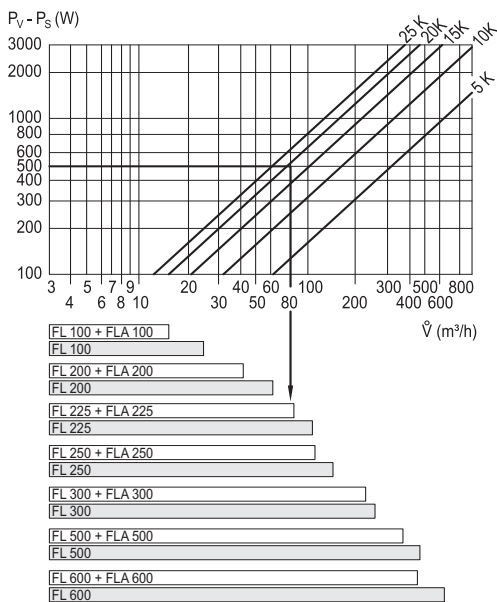
$P_S$  = radiant power

(heat that is radiated from the cabinet without additional ventilation)

$\Delta T$  = temperature difference between the air drawn in (ambient temperature  $T_U$ ) and the exhaust air (internal cabinet temperature  $T_I$ ),

$$\Delta T = T_I - T_U$$

## READING EXAMPLE



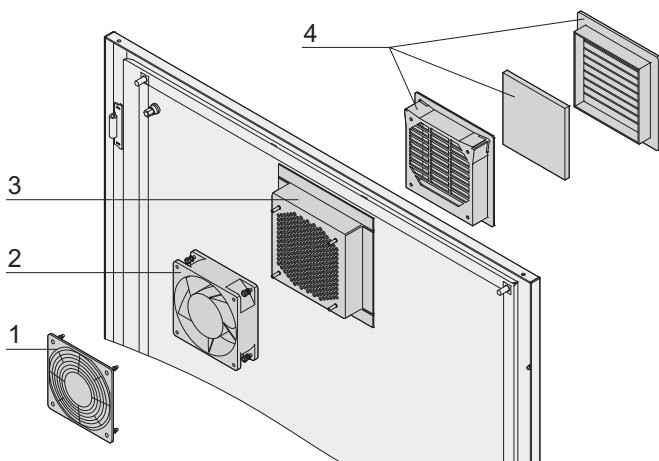
kta45245

The devices in the cabinet produce e.g. a power loss of 840 W. Of these 840 W, the cabinet releases 340 W to the environment via its surfaces. The air sucked in from outside the cabinet has a temperature of 20 °C. A maximum temperature of 40 °C is to be permitted in the cabinet.

So which air filtered fan should be employed?

- $P_V = 840 \text{ W}$ ,  $P_S = 340 \text{ W}$ , read-off point  $P_V - P_S = 500 \text{ W}$
- $\Delta T = T_I - T_a = 40 \text{ °C} - 20 \text{ °C} = 20 \text{ °C} = 20 \text{ K}$
- On the characteristic for 20 K we obtain, at  $P_V - P_S = 500 \text{ W}$ , a minimum necessary airflow volume of  $V = 80 \text{ m}^3/\text{h}$ .
- An FL 250 air filtered fan should be used that gives an airflow volume of  $131 \text{ m}^3/\text{h}$  or, if used in combination with the FLA 250 exhaust filter, of  $95 \text{ m}^3/\text{h}$ .

## EMC SOLUTIONS



01108070

- EMC shielding in accordance with your requirements
- Customised developments

### DELIVERY COMPRISES

Item	Description
1	Protective fan grille
2	Fan
3	EMC hood
4	FLA outlet/inlet filter

# Climate control – Air filtered fans

## AIR FILTERED FAN FL 100



01108018

- Airflow volume 19 m<sup>3</sup>/h
- Converts simply from push to pull operation
- Ingress protection IP 54, NEMA type 12
- Simple to fit without tools by clipping in



### DELIVERY COMPRISES (completely assembled)

Item	Qty	Description
1	1	Front grille and case, plastic, ABS, RAL 7035, self-extinguishing, UL 94 V-0
2	1	Filter, filter class G 3 (EN 779)
3	1	Fan
4	1	2 wire connection, length 310 mm

### ORDER INFORMATION

Description	24 V <sub>DC</sub> Part no.	115 V <sub>AC</sub> Part no.	230 V <sub>AC</sub> Part no.
Air filtered fan FL 100	EF100-24R5	EF100-115R5	<b>EF100R5</b>
Air outlet/inlet filter FLA 100 (items 1 + 2 included), 1 piece			<b>EFA100R5</b>
Replacement filter IP 54 for FL 100 and FLA 100, filter class G 3 (EN 779), PU 5 pieces			<b>EFM100</b>

### TECHNICAL DATA

01108019

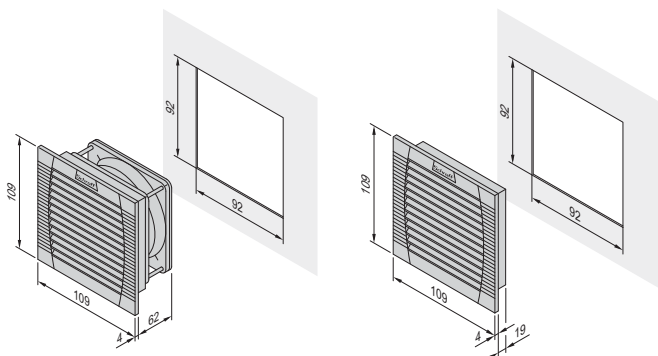
Voltage	230 VAC	115 VAC	24 VDC
Frequency	50/60 Hz	50/60 Hz	DC
Airflow volume with filter (free blowing)	19/24 m <sup>3</sup> /h	19/24 m <sup>3</sup> /h	19 m <sup>3</sup> /h
Combination FL + FLA	12/14 m <sup>3</sup> /h	12/14 m <sup>3</sup> /h	12 m <sup>3</sup> /h
Max. static pressure	38 Pa	38 Pa	38 Pa
Noise level (in accordance with EN ISO 3741, 50 Hz)	33 dB(A)	33 dB(A)	33 dB(A)
Operating temperatures	-15 ... +55 °C	-15 ... +55 °C	-15 ... +55 °C
Power consumption	12/11 W	12/11 W	2.4 W
Filter efficiency	88 %	88 %	88 %
MTBF at 40 °C	52000 h	52000 h	70000 h
Approvals	CE, UL, cUL, GOST		



Air outlet/inlet filter FLA 100



Replacement filter IP 54



01108058

Air filtered fan FL 100

01108057

Air outlet/inlet filter FLA 100

Sheet thicknesses 1 ... 2 mm - cut-out 92 x 92 mm;  
Sheet thicknesses >2 ... 3 mm - cut-out 93 x 93 mm

# Climate control – Air filtered fans

## AIR FILTERED FAN FL 200



01108018

- Airflow volume 60 m<sup>3</sup>/h
- Converts simply from push to pull operation
- Ingress protection IP 54, with fluted filter IP 55, NEMA type 12
- Simple to fit without tools by clipping in (can also be bolted)



### DELIVERY COMPRISES (Completely assembled)

Item	Qty	Description
1	1	Front grille and case, plastic, ABS, RAL 7035, self-extinguishing, UL 94 V-0
2	1	Filter, filter class G3 (EN 779)
3	1	Fan
4	1	Connection AC (terminal strip), connection DC (2 wires, 310 mm long)



01108019 01108021

Air outlet/inlet filter FLA 200      Fluted filter IP 55

### ORDER INFORMATION

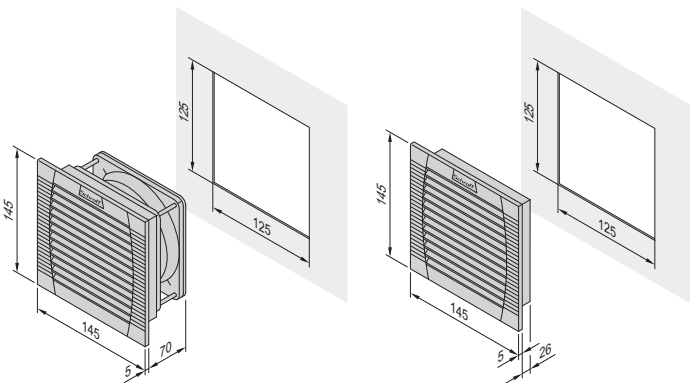
Description	24 V <sub>DC</sub> Part no.	115 V <sub>AC</sub> Part no.	230 V <sub>AC</sub> Part no.
Air filtered fan FL 200	EF200-24R5	EF200-115R5	<b>EF200R5</b>
Air outlet/inlet filter FLA 200 (items 1 + 2 included), 1 piece			<b>EFA200R5</b>
Replacement filter IP 54 for FL 200 and FLA 200, filter class G 3 (EN 779), PU 5 pieces			<b>EFM200</b>
Fluted filter IP 55 for FL 200 and FLA 200, filter class G 4 (EN 779), PU 5 pieces			<b>EFMP200</b>

### TECHNICAL DATA

Voltage	230 V <sub>AC</sub>	115 V <sub>AC</sub>	24 V <sub>DC</sub>
Frequency	50/60 Hz	50/60 Hz	DC
Airflow volume with IP 54 filter (free blowing)	60/66 m <sup>3</sup> /h	60/66 m <sup>3</sup> /h	60 m <sup>3</sup> /h
Airflow volume with IP 55 filter (free blowing)	56/64 m <sup>3</sup> /h	56/64 m <sup>3</sup> /h	56 m <sup>3</sup> /h
Combination FL + FLA IP 54	38/42 m <sup>3</sup> /h	38/42 m <sup>3</sup> /h	38 m <sup>3</sup> /h
Combination FL + FLA IP 55	40/46 m <sup>3</sup> /h	40/46 m <sup>3</sup> /h	40 m <sup>3</sup> /h
Max. static pressure IP 54	60 Pa	60 Pa	60 Pa
Max. static pressure IP 55	57 Pa	57 Pa	61 Pa
Noise level in accordance with EN ISO 3741, 50 Hz)	44 dB(A)	44 dB(A)	44 dB(A)
Max. ambient temperature	15 ... +55 °C	-5 ... +55 °C	-25 ... +55 °C
Power consumption	19/18 W	19/18 W	5 W
Filter efficiency IP 54	83 %	83 %	83 %
Filter efficiency IP 55	91 %	91 %	91 %
MTBF at 40 °C	37000 h	37000 h	62000 h
Approvals	CE, UL, cUL, GOST		

01108020

Replacement filter IP 54



01108059 01108060

 Air filtered fan FL 200      Air outlet/inlet filter FLA 200  
 Sheet thicknesses 1 ... 2 mm - cut-out 125 x 125 mm;  
 Sheet thicknesses >2 ... 3 mm - cut-out 126 x 126 mm

### NOTE

- Mounting for sheet thicknesses from 1 to 3 mm
- Multiple fan solution on request
- Dimensions, cut-outs and tolerances see user manual

# Climate control – Air filtered fans

## AIR FILTERED FAN FL 225

- Airflow volume 98 m<sup>3</sup>/h
- Converts simply from push to pull operation
- Ingress protection IP 54, with fluted filter IP 55, NEMA type 12



### DELIVERY COMPRISES (completely assembled)

Item	Qty	Description
1	1	Front grille and case, plastic, ABS, RAL 7035, self-extinguishing, UL 94 V-0
2	1	Filter, filter class G 3 (EN 779)
3	1	Fan
4	1	Connection AC (terminal block), DC (spring terminal strip)



01108022

### ORDER INFORMATION

Description	115 V <sub>AC</sub> Part no.	230 V <sub>AC</sub> Part no.
Air filtered fan FL 225	EF220-115R5	<b>EF220R5</b>
Air outlet/inlet filter FLA 225 (items 1 + 2 included), 1 piece		<b>EFA220R5</b>
Replacement filter IP 54 for FL 225 and FLA 225, filter class G 3 (EN 779), PU 5 pieces		<b>EFM220</b>
Fluted filter IP 55 for FL 225 and FLA 225, filter class G 4 (EN 779), PU 5 pieces		<b>EFMP220</b>



01108019 01108021

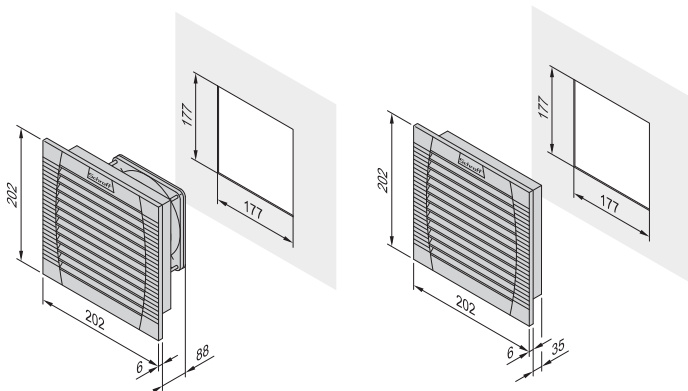
Air outlet/inlet filter FLA 225      Fluted filter IP 55

### TECHNICAL DATA

Voltage	230 VAC	115 VAC
Frequency	50/60 Hz	50/60 Hz
Airflow volume with IP 54 filter (free blowing)	98/108 m <sup>3</sup> /h	98/108 m <sup>3</sup> /h
Airflow volume with IP 55 filter (free blowing)	100/110 m <sup>3</sup> /h	100/110 m <sup>3</sup> /h
Combination FL + FLA IP 54	73/80 m <sup>3</sup> /h	73/80 m <sup>3</sup> /h
Combination FL + FLA IP 55	55/64 m <sup>3</sup> /h	55/64 m <sup>3</sup> /h
Max. static pressure IP 54	66 Pa	66 Pa
Max. static pressure IP 55	61 Pa	61 Pa
Noise level (in accordance with EN ISO 3741, 50 Hz)	40 dB(A)	40 dB(A)
Max. ambient temperature	-15 ... +55 °C	-15 ... +55 °C
Power consumption	19/18 W	19/18 W
Filter efficiency IP 54	88 %	88 %
Filter efficiency IP 55	91 %	91 %
MTBF at 40 °C	37000 h	37000 h
Approvals	CE, UL, cUL, GOST	

01108020

Replacement filter IP 54



01108061 01108062

Air filtered fan FL 225      Air outlet/inlet filter FLA 225  
 Sheet thicknesses 1 ... 2 mm - cut-out 177 x 177 mm;  
 Sheet thicknesses >2 ... 3 mm - cut-out 178 x 178 mm

### NOTE

- Mounting for sheet thicknesses from 1 to 3 mm
- Multiple fan solution on request
- Dimensions, cut-outs and tolerances see user manual

# Climate control – Air filtered fans

## AIR FILTERED FAN FL 250



01108022

- Airflow volume 125 m<sup>3</sup>/h
- Converts simply from push to pull operation
- Ingress protection IP 54, with fluted filter IP 55, NEMA type 12
- Simple to fit without tools by clipping in (can also be bolted)



### DELIVERY COMPRISES (completely assembled)

Item	Qty	Description
1	1	Front grille and case, plastic, ABS, RAL 7035, self-extinguishing, UL 94 V-0
2	1	Filter, filter class G 3 (EN 779)
3	1	Fan
4	1	Connection spring terminal strip

### ORDER INFORMATION

Description	115 V <sub>AC</sub>	230 V <sub>AC</sub>
	Part no.	Part no.
Air filtered fan FL 250	EF250-115R5	EF250R5
Air outlet/inlet filter FLA 250/300 (items 1 + 2 included), 1 piece		EFA250-300R5
Replacement filter IP 54 for FL 250/300 and FLA 250/300, filter class G 3 (EN 779), PU 5 pieces		EFM250-300
Fluted filter IP 55 for FL 250/300 and FLA 250/300, filter class G 4 (EN 779), PU 5 pieces		EFMP250-300



01108019 01108021

Air outlet/inlet filter FLA 250/300

Fluted filter IP 55



01108020

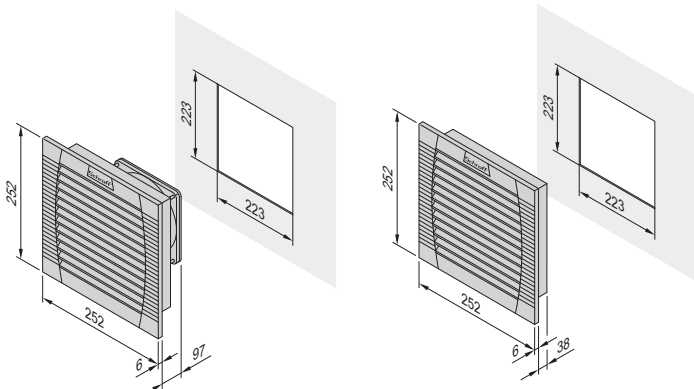
Replacement filter IP 54

### TECHNICAL DATA

Voltage	230 VAC	115 VAC
Frequency	50/60 Hz	50/60 Hz
Airflow volume with IP 54 filter (free blowing)	125/138 m <sup>3</sup> /h	125/138 m <sup>3</sup> /h
Airflow volume with IP 55 filter (free blowing)	145/160 m <sup>3</sup> /h	145/160 m <sup>3</sup> /h
Combination FL + FLA IP 54	93/102 m <sup>3</sup> /h	93/102 m <sup>3</sup> /h
Combination FL + FLA IP 55	109/113 m <sup>3</sup> /h	109/113 m <sup>3</sup> /h
Max. static pressure IP 54	52 Pa	52 Pa
Max. static pressure IP 55	49 Pa	49 Pa
Noise level (in accordance with EN ISO 3741, 50 Hz)	40 dB(A)	40 dB(A)
Max. ambient temperature	-15 ... +55 °C	-15 ... +55 °C
Power consumption	18/17 W	18/17 W
Filter efficiency IP 54	88 %	88 %
Filter efficiency IP 55	91 %	91 %
MTBF at 40 °C	40000 h	40000 h
Approvals	CE, UL, cUL, GOST	

### NOTE

- Mounting for sheet thicknesses from 1 to 3 mm
- Multiple fan solution on request
- Dimensions, cut-outs and tolerances see user manual



01108063 01108064

Air filtered fan FL 250  
 Sheet thicknesses 1 ... 2 mm - cut-out 223 x 223 mm;  
 Sheet thicknesses >2 ... 3 mm - cut-out 224 x 224 mm



# Climate control – Air filtered fans

## AIR FILTERED FAN FL 300



01108024

- Airflow volume 223 m<sup>3</sup>/h
- Converts simply from push to pull operation
- Ingress protection IP 54, with fluted filter IP 55, NEMA type 12
- Simple to fit without tools by clipping in (can also be bolted)



### DELIVERY COMPRISES (completely assembled)

Item	Qty	Description
1	1	Front grille and case, plastic ABS, RAL 7035, self-extinguishing, UL 94 V-0
2	1	Filter, filter class G 3 (EN 779)
3	1	Fan
4	1	Connection spring terminal strip

### ORDER INFORMATION

Description	115 V <sub>AC</sub> Part no.	230 V <sub>AC</sub> Part no.
Air filtered fan FL 300	EF300-115R5	EF300R5
Air outlet/inlet filter FLA 250/300 (items 1 + 2 included), 1 piece		EFA250-300R5
Replacement filter IP 54 for FL 250/300 and FLA 250/300, filter class G 3 (EN 779), PU 5 pieces		EFM250-300
Fluted filter IP 55 for FL 250/300 and FLA 250/300, filter class G 4 (EN 779), PU 5 pieces		EFMP250-300



01108019 01108021

Air outlet/inlet filter FLA 250/300

Fluted filter IP 55



01108020

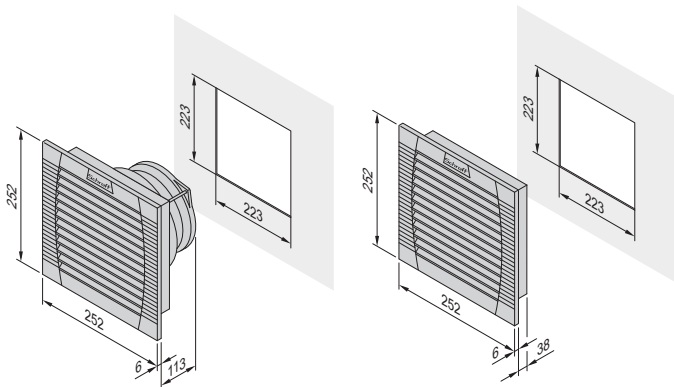
Replacement filter IP 54

### TECHNICAL DATA

Voltage	230 VAC	115 VAC
Frequency	50/60 Hz	50/60 Hz
Airflow volume with IP 54 filter (free blowing)	223/247 m <sup>3</sup> /h	223/247 m <sup>3</sup> /h
Airflow volume with IP 55 filter (free blowing)	233/265 m <sup>3</sup> /h	233/265 m <sup>3</sup> /h
Combination FL + FLA IP 54	201/223 m <sup>3</sup> /h	201/223 m <sup>3</sup> /h
Combination FL + FLA IP 55	180/207 m <sup>3</sup> /h	180/207 m <sup>3</sup> /h
Max. static pressure IP 54	116 Pa	116 Pa
Max. static pressure IP 55	112 Pa	112 Pa
Noise level (in accordance with EN ISO 3741, 50 Hz)	42 dB(A)	42 dB(A)
Max. ambient temperature	-15 ... +55 °C	-15 ... +55 °C
Power consumption	45/39 W	50/45 W
Filter efficiency IP 54	88 %	88 %
Filter efficiency IP 55	91 %	91 %
MTBF at 40 °C	40000 h	40000 h
Approvals	CE, UL, cUL, GOST	

### NOTE

- Mounting for sheet thicknesses from 1 to 3 mm
- Multiple fan solution on request
- Dimensions, cut-outs and tolerances see user manual



01108065 01108064

Air filtered fan FL 300

Air outlet/inlet filter FLA 250/350

Sheet thicknesses 1 ... 2 mm - cut-out 223 x 223 mm;  
Sheet thicknesses >2 ... 3 mm - cut-out 224 x 224 mm

# Climate control – Air filtered fans

## AIR FILTERED FAN FL 500

- Airflow volume 480 m<sup>3</sup>/h
- Converts simply from push to pull operation
- Ingress protection IP 54, with fluted filter IP 55, NEMA type 12
- Simple to fit without tools by clipping in (can also be bolted)



### DELIVERY COMPRISES (completely assembled)

Item	Qty	Description
1	1	Front grille and case, plastic, ABS, RAL 7035, self-extinguishing UL 94 V-0
2	1	Filter, filter class G3 (EN 779)
3	1	Fan
4	1	Connection spring terminal strip

### ORDER INFORMATION

Description	115 V <sub>AC</sub>	230 V <sub>AC</sub>
	Part no.	Part no.
Air filtered fan FL 500	EF500-115R5	EF500R5
Air outlet/inlet filter FLA 500/600 (items 1 + 2 included), 1 piece		EFA500-700R5
Replacement filter IP 54 for FL 500/600 and FLA 500/600, filter class G 3 (EN 779), PU 5 pieces		EFM500-700
Fluted filter IP 55 for FL 500/600 and FLA 500/600, filter class G 4 (EN 779), PU 5 pieces		EFMP500-700



01108025



01108019 01108021

Air outlet/inlet filter FLA 500/600

Fluted filter IP 55



01108020

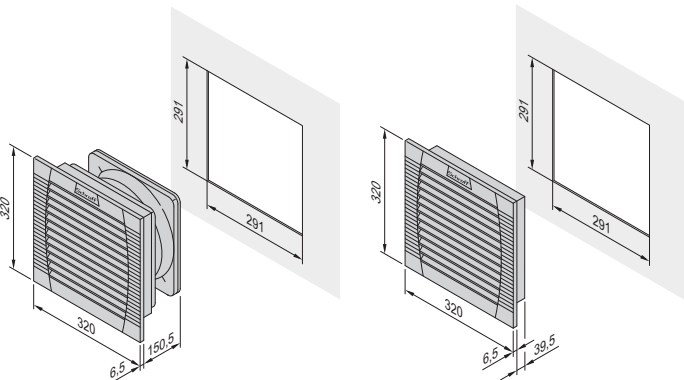
Replacement filter IP 54

### TECHNICAL DATA

Voltage	230 VAC	115 VAC
Frequency	50/60 Hz	50/60 Hz
Airflow volume with IP 54 filter (free blowing)	480/480 m <sup>3</sup> /h	480/480 m <sup>3</sup> /h
Airflow volume with IP 55 filter (free blowing)	505/505 m <sup>3</sup> /h	505/505 m <sup>3</sup> /h
Combination FL + FLA IP 54	370/370 m <sup>3</sup> /h	370/370 m <sup>3</sup> /h
Combination FL + FLA IP 55	380/380 m <sup>3</sup> /h	380/380 m <sup>3</sup> /h
Max. static pressure IP 54	76 Pa	76 Pa
Max. static pressure IP 55	74 Pa	74 Pa
Noise level (in accordance with EN ISO 3741, 50 Hz)	54 dB(A)	54 dB(A)
Max. ambient temperature	-15 ... +55 °C	-15 ... +55 °C
Power consumption	80/100 W	90/110 W
Filter efficiency IP 54	88 %	88 %
Filter efficiency IP 55	91 %	91 %
MTBF at 40 °C	40000 h	40000 h
Approvals	CE, UL, cUL, GOST	

### NOTE

- Mounting for sheet thicknesses from 1 to 3 mm
- Multiple fan solution on request
- Dimensions, cut-outs and tolerances see user manual



01108067 01108068

Air filtered fan FL 500/600    Air outlet/inlet filter FLA 500/600  
 Sheet thicknesses 1 ... 2 mm - cut-out 223 x 223 mm;  
 Sheet thicknesses >2 ... 3 mm - cut-out 224 x 224 mm

# Climate control – Air filtered fans

## AIR FILTERED FAN FL 600



01108025

- Airflow volume 640 m<sup>3</sup>/h
- Converts simply from push to pull operation
- Ingress protection IP 54, with fluted filter IP 55, NEMA type 12
- Simple to fit without tools by clipping in (can also be bolted)



### DELIVERY COMPRISES (completely assembled)

Item	Qty	Description
1	1	Front grille and case, plastic, ABS, RAL 7035, self-extinguishing, UL 94 V-0
2	1	Filter, filter class G 3 (EN 779)
3	1	Fan
4	1	Connection spring terminal strip

### ORDER INFORMATION

Description	115 V <sub>AC</sub> Part no.	230 V <sub>AC</sub> Part no.
Air filtered fan FL 600	EF600-115R	<b>EF600R5</b>
Air outlet/inlet filter FLA 500/600 (items 1 + 2 included), 1 piece		<b>EFA500-700R5</b>
Replacement filter IP 54 for FL 500/600 and FLA 500/600, filter class G 3 (EN 779), PU 5 pieces		<b>EFM500-700</b>
Fluted filter IP 55 for FL 500/600 and FLA 500/600, filter class G 4 (EN 779), PU 5 pieces		<b>EFMP500-700</b>



01108019 01108021

Air outlet/inlet filter FLA 500/600

Fluted filter IP 55



01108020

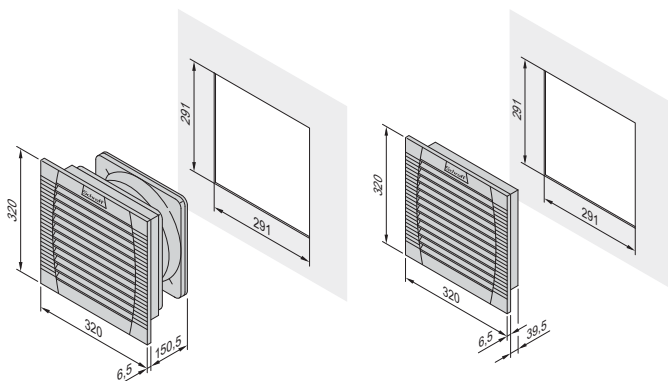
Replacement filter IP 54

### TECHNICAL DATA

Voltage	230 VAC	115 VAC
Frequency	50/60 Hz	50/60 Hz
Airflow volume with IP 54 filter (free blowing)	640/653 m <sup>3</sup> /h	640/653 m <sup>3</sup> /h
Airflow volume with IP 55 filter (free blowing)	770/785 m <sup>3</sup> /h	770/785 m <sup>3</sup> /h
Combination FL + FLA IP 54	445/445 m <sup>3</sup> /h	445/445 m <sup>3</sup> /h
Combination FL + FLA IP 55	490/501 m <sup>3</sup> /h	490/501 m <sup>3</sup> /h
Max. static pressure IP 54	134 Pa	134 Pa
Max. static pressure IP 55	132 Pa	132 Pa
Noise level in accordance with EN ISO 3741, 50 Hz)	63 dB(A)	63 dB(A)
Max. ambient temperature	-15 ... +55 °C	-15 ... +55 °C
Power consumption	120/160 W	130/170 W
Filter efficiency IP 54	88 %	88 %
Filter efficiency IP 55	91 %	91 %
MTBF at 40 °C	40000 h	40000 h
Approvals	CE, UL, cUL, GOST	

### NOTE

- Mounting for sheet thicknesses from 1 to 3 mm
- Multiple fan solution on request
- Dimensions, cut-outs and tolerances see user manual



01108067 01108068

Air filtered fan FL 500/600

Air outlet/inlet filter FLA 500/600

Sheet thicknesses 1 ... 2 mm - cut-out 223 x 223 mm;

Sheet thicknesses &gt;2 ... 3 mm - cut-out 224 x 224 mm

## North America

Warwick, RI, USA

Tel +1.401.738.1722

San Diego, CA, USA

Tel +1.858.740.2400

## Europe, Middle East & India

Straubenhardt, Germany

Tel +49 7082 794 0

Betschdorf, France

Tel +33 3 88 90 64 90

Warsaw, Poland

Tel +48 22 209 98 35

Hemel Hempstead,

Great Britain

Tel +44 1442 24 04 71

Lainate, Italy

Tel +39 02 932 714 1

Dubai, United Arab Emirates

Tel +971 4 82 38 666

Bangalore, India

Tel +91 80 6715 8900

Istanbul, Turkey

Tel +90 541 368 0941

## Asia Pacific

Shanghai, China

Tel +86 21 2412 6943

Singapore

Tel +65 6768 5800

Shin-Yokohama, Japan

Tel +81 45 476 0271

Our powerful portfolio of brands:

**CADDY ERICO HOFFMAN RAYCHEM SCHROFF TRACER**



[nVent.com/SCHROFF](https://www.nvent.com/SCHROFF)