

CS-PT1000 series

Ceramic Piezoresistive Pressure Transmitter

Feature

0.5%F.S~1.0%F.S Accuracy
 OEM
 Ceramic Sensor
 Multiple Pressure Ranges and
 Signal Outputs
 Multiple Connectors and Ports
 Nonpolar Two-wire current Output
 AC/DC Voltage Powered
 Intrinsically Safe and CE approved

Application

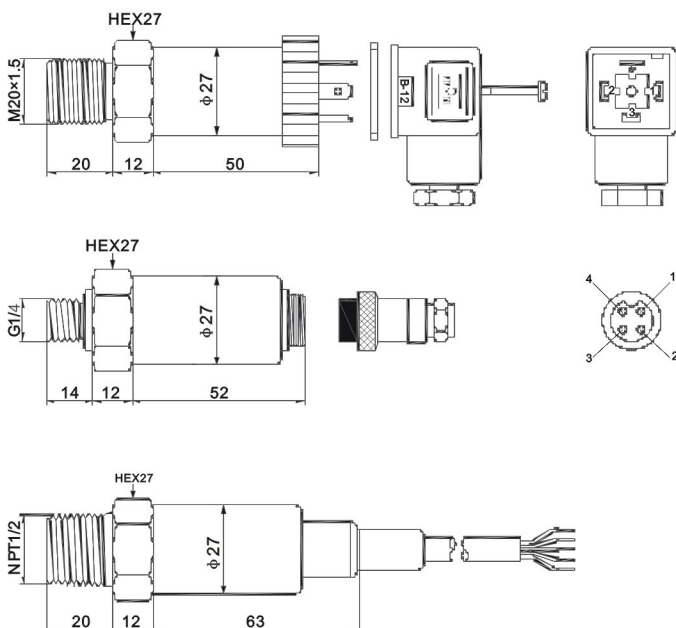
Gas Dispenser
 Refrigerator
 Hydraulic Control
 Pressure Instrument
 Automatic Detection System
 Energy and Water Treatment
 Real-time monitor for oil well

Introduction

CS-PT1000 series of pressure transmitters are cost effective products featuring mass production and low cost. They are widely used to detect the pressure of gas and liquid like water and natural gas.

The products are made of stainless steel. The pressure sensing elements are selected from well-known international brands. Special circuits are adopted to adjust zero and full range conveniently. The products have been approved with CE, intrinsically safe, and explosion-proof certificates.

Customized structures and output formats can be designed according to special application requirement, in addition to standard products.



Interface Definition

Plug	two-wire	cable	three-wire	cable
1	Power	red	Power	red
2	Output	blue/green	GND	black
3			Output	blue/green
4(E)	Shield	yellow	Shield	yellow

Pressure Port Connect Format

	1	2	3	4
1	M20x15			G 1/4
2	NPT 1/2			G 1/2

Signal Output Format

two-wire	three-wire
	4~20mA
	0~5V, 0.5~4.5V, 1~5V, 0~10V(dc)

Technical Parameters

Parameter	Value			Note
Measure Range	0.5MPa~60MPa			1MPa≈145PSI
Overload Pressure	1.5×RP(rated pressure)			
Broken Pressure	2.5×RP(rated pressure)			
Accuracy	±0.5% F.S (MARS & PT300 series have higher accuracy)			
Stability	Typical 0.25%F.S,Max 0.4%F.S			
Operating Temperature	-40℃~85℃			
Compensating Temperature	-10℃~70℃			
Medium Compatibility	Corrosive medium compatible with Cr18Ni9Ti, ceramic			
Wires	Two-wire	Three-wire		
Output Signal	4~20mA	0~5V	0~10V	
Power Supply	12~30Vdc	10~30Vdc/ac	12~30Vdc/ac	dc/ac means dc and ac are both usable
Load Resistance	(U-10)/0.02(Ω)		>20KΩ	
Insulation	>100MΩ@50V			
Elec. connector	DIN43650, Shell protection IP65			Hirschmann Plug(S)
	GX16-7, Shell protection IP45			Quick Access Plug(K)
	Wire protection (Five), Shell protection IP68			
Pressure Port	M20×1.5, G1/2, G1/4, NPT1/2, NPT1/4			
Response Time	10ms			
Pressure Form	Gauge G, Absolute A			
Certificate	CE			
EMC	EMI: EN50081-1/-2; EMS: EN50082-2			

Type Selection Guide

