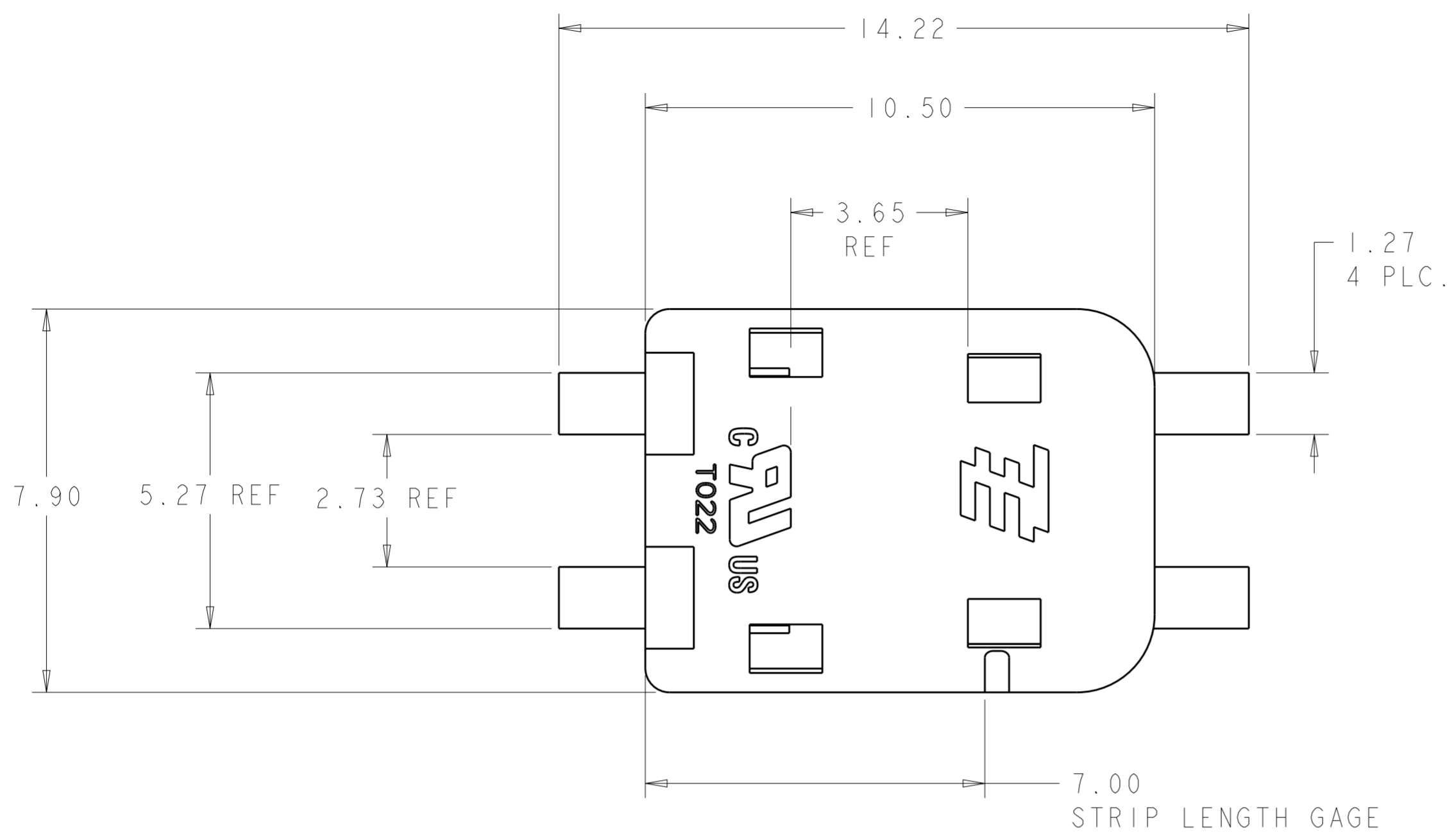
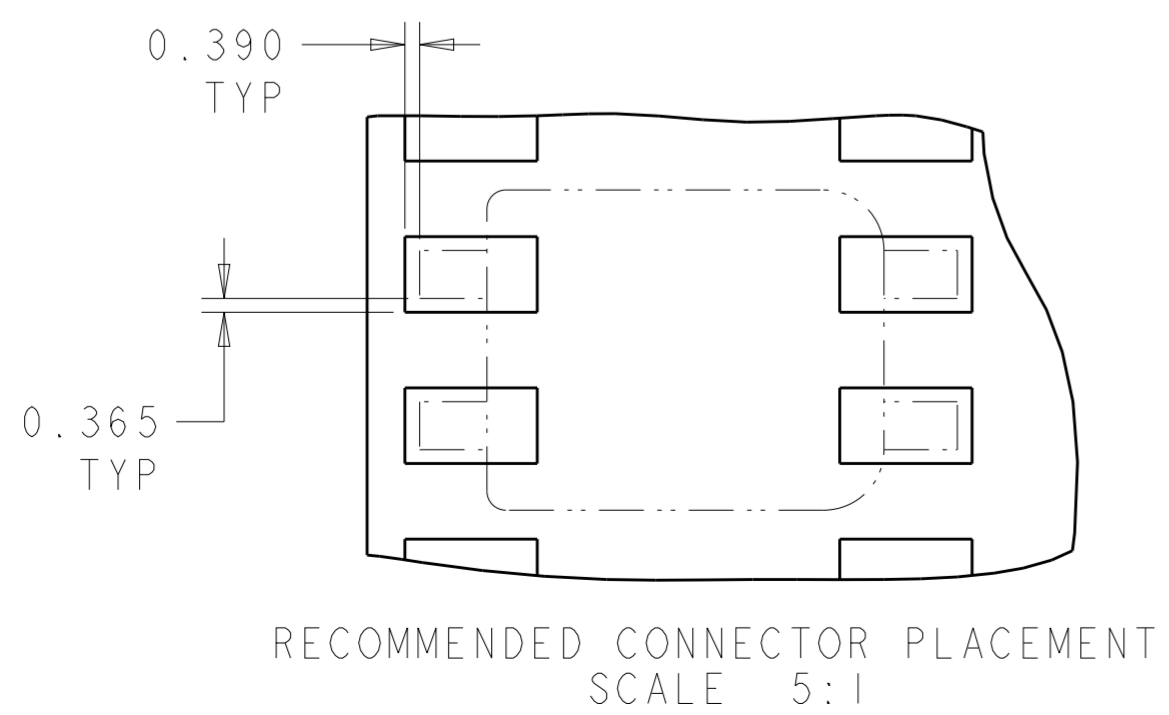
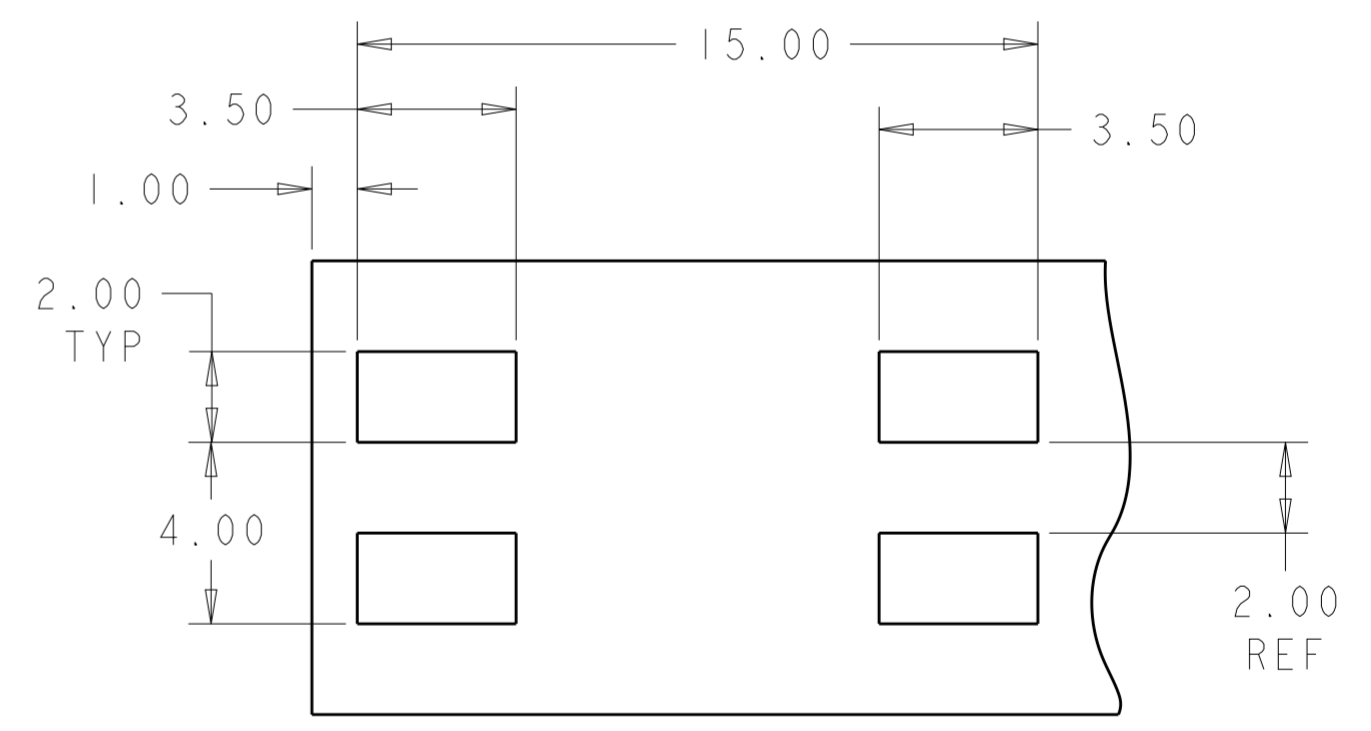
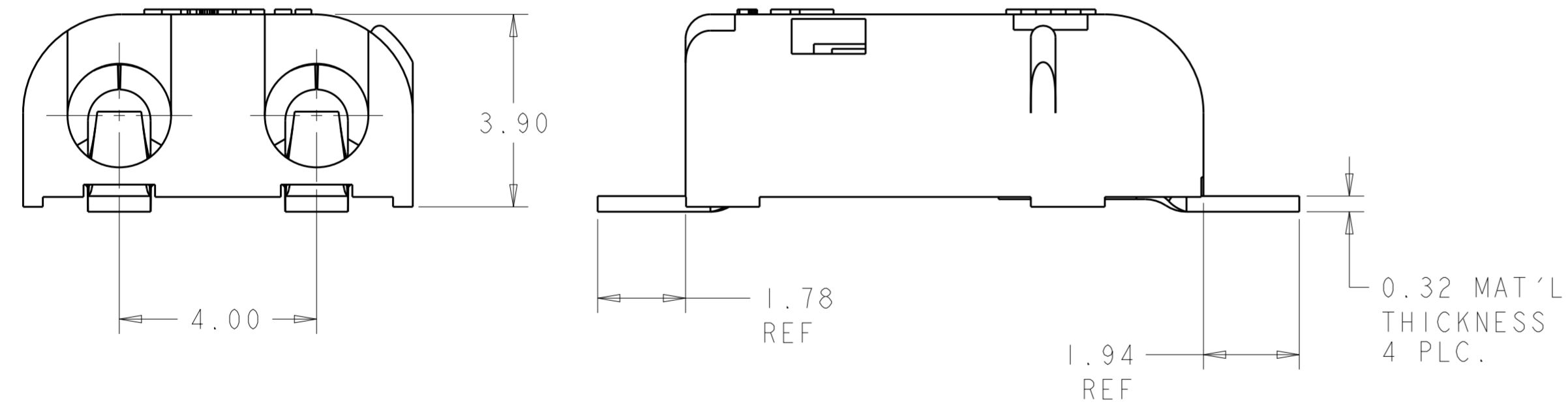


THIS DRAWING IS UNPUBLISHED. RELEASED FOR PUBLICATION 20
 © COPYRIGHT 20 BY - ALL RIGHTS RESERVED.

LOC		DIST		REVISIONS			
P	LTR	DESCRIPTION	DATE	DWN	APVD		
	A7	REVISED PER ECO-11-004587	11MAR2011	RK	HMR		
	A8	REVISED PER ECR-11-011090	03JUN2011	SK	DD		
	A9	REVISED PER ECR-14-017349	02DEC2014	RS	DD		



- NOTES :
- 1. MATERIALS AND FINISH:
 - HOUSING: LCP, COLOR: WHITE
 - CONTACTS: COPPER ALLOY, FINISH: TIN
 - 2. MUST COMPLY WITH DIRECTIVE 2002/95/EC (ROHS)
 - 3. NOTE DELETED.
 - 4. WIRE TYPES AND SIZES ACCEPTED
 18, 20 AND 22 AWG SOLID WIRE
 18 AND 20 AWG PREBOND STRANDED WIRE
 18 AWG STRANDED WIRE (16 STRAND COUNT)
 MAX INSULATION OD: 2.10 MM (.083")
 STRIP LENGTH: 7.0±1.0 (.276")
 - 5. MATERIAL AND FINISH:
 -HOUSING: LCP, COLOR: BLACK.
 -CONTACTS: COPPER ALLOY, FINISH: TIN
 - 6. PACKAGED IN TAPE AND REEL



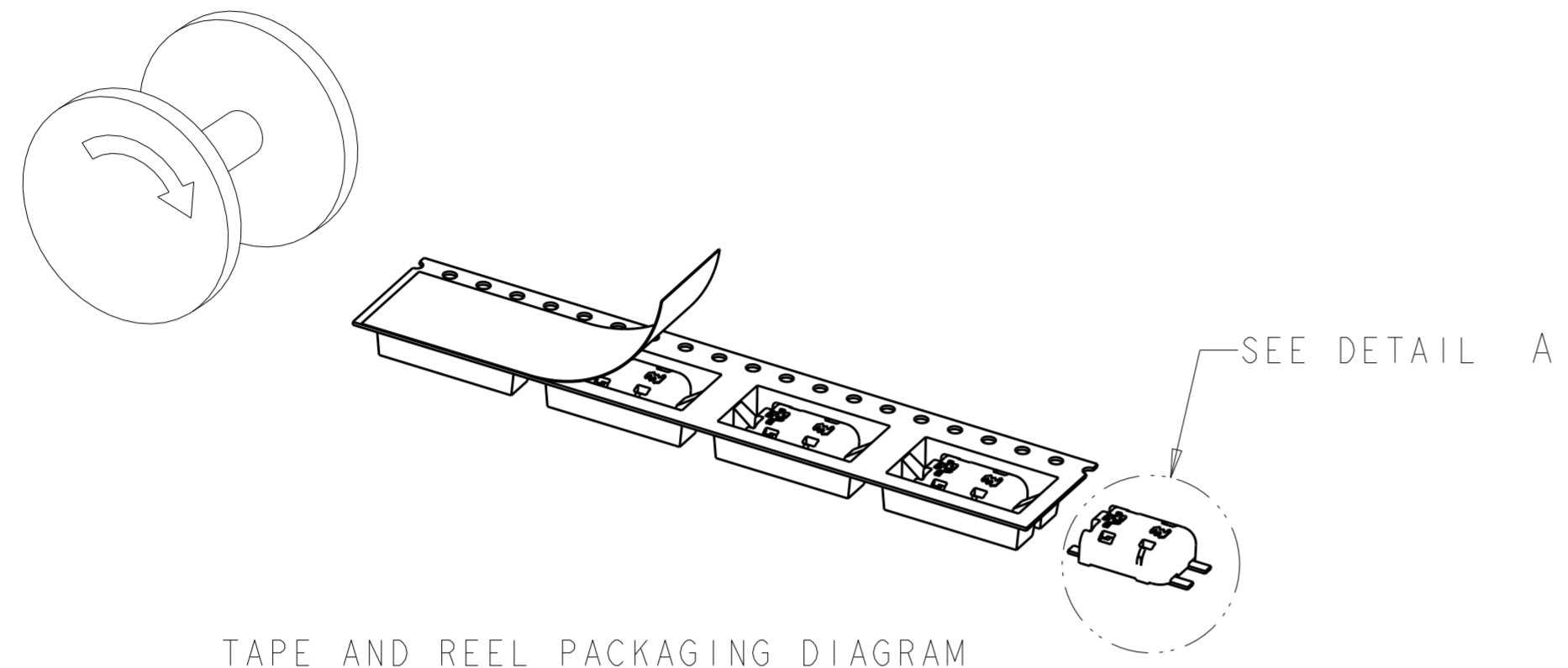
PACKAGING	MATERIAL	COLOR	PART NO.
OBSOLETE	1	WHITE	1954097-3
6	5	BLACK	1-1954097-1
6	1	WHITE	1954097-1

THIS DRAWING IS A CONTROLLED DOCUMENT.

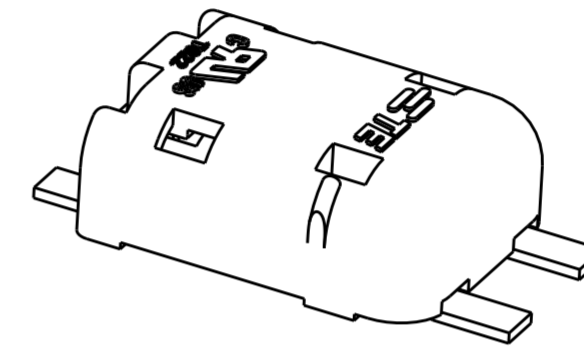
DWN: C. DAILY 06 JUN 2006	TE Connectivity
CHK: S. HORST 06 JUN 2006	
APVD: J.K. KNOLL 25 OCT 2007	
PRODUCT SPEC: 108-2284	
MATERIAL: SEE TABLE	NAME: POKE-IN LED CONNECTOR ASSEMBLY, 2 POSITION SMT
TOLERANCES UNLESS OTHERWISE SPECIFIED:	SIZE: A200779
0 PLC ±	CAGE CODE: C-1954097
1 PLC ±0.2	DRAWING NO: 114-13194
2 PLC ±0.10	WEIGHT: -
3 PLC ±	SCALE: 7:1
4 PLC ±	SHEET 1 OF 2
ANGLES ±3°	REV: A9
FINISH	

THIS DRAWING IS UNPUBLISHED. RELEASED FOR PUBLICATION 20
 © COPYRIGHT 20 BY - ALL RIGHTS RESERVED.

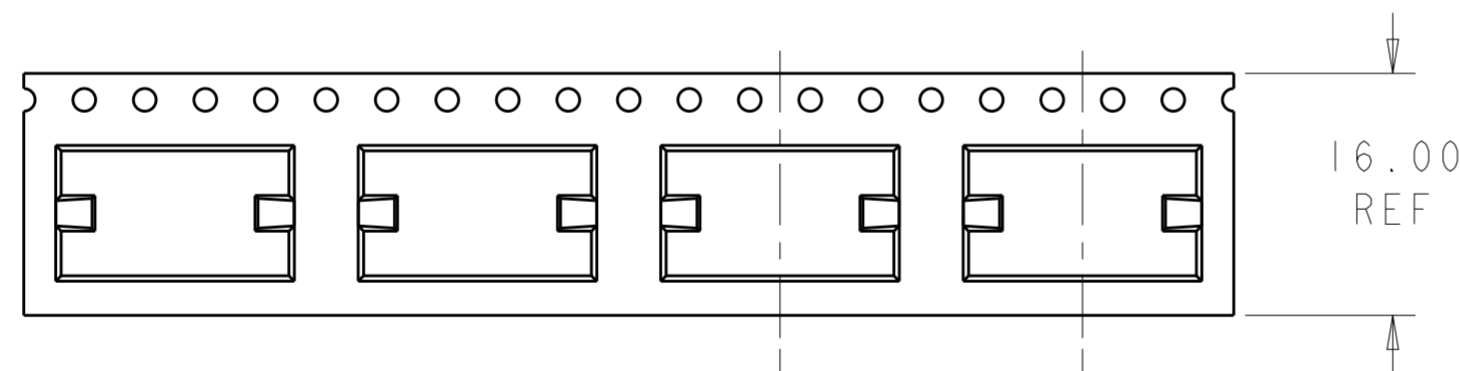
LOC	DIST	REVISIONS				
P	LTR	DESCRIPTION	DATE	DWN	APVD	
AF	50	-	SEE SHEET 1	-	-	



TAPE AND REEL PACKAGING DIAGRAM
 FOR 1954097-1 & 1-1954097-1



DETAIL A
 SCALE 5:1



20.00 REF
 TYP

16.00
 REF

SCALE 2:1

THIS DRAWING IS A CONTROLLED DOCUMENT.		DWN C. DAILY 06 JUN 2006	TE Connectivity
		CHK S. HORST 06 JUN 2006	
		APVD J.K. KNOLL 25 OCT 2007	
		PRODUCT SPEC	
DIMENSIONS:	TOLERANCES UNLESS OTHERWISE SPECIFIED:	108-2284	NAME POKE-IN LED CONNECTOR ASSEMBLY, 2 POSITION SMT
mm	0 PLC ± 1 PLC ±0.2 2 PLC ±0.10 3 PLC ± 4 PLC ±	APPLICATION SPEC	SIZE CAGE CODE DRAWING NO RESTRICTED TO
	ANGLES ±3°	114-13194	A200779 C-1954097
MATERIAL	FINISH	WEIGHT	
SEE TABLE	SEE TABLE	-	
		Customer Drawing	SCALE 7:1 SHEET 2 OF 2 REV A9

Mouser Electronics

Authorized Distributor

Click to View Pricing, Inventory, Delivery & Lifecycle Information:

[TE Connectivity:](#)

[1-1954097-1](#)