



**16mm Molded Case Rotary Potentiometer**

**16N2**



**Part Number**

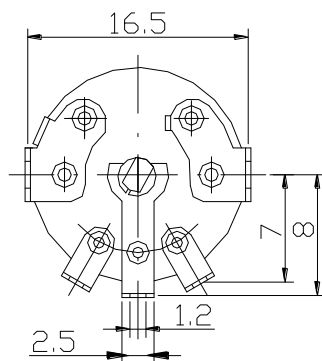
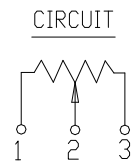
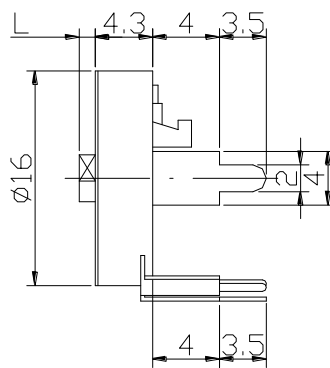
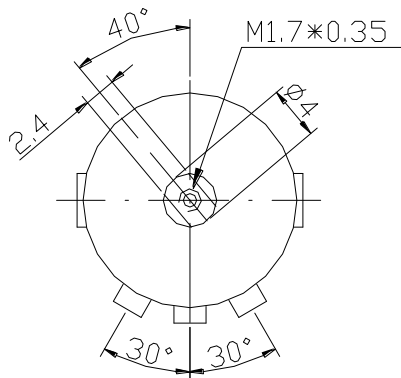
**16N2 - B 50K , L- 1.2**

Type

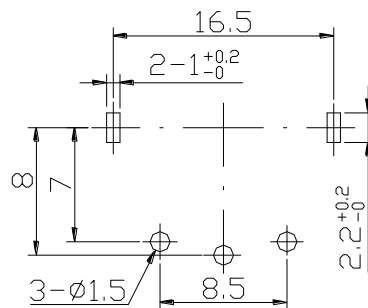
Shaft length

Resistance value

**Dimensions 規格尺寸**



P.C.B LAYOUT



**Shaft Type**

No Tap Type	
L	1.5-5.0
A	2.2±0/0.1
D	φ3.5

Tap Type	
L	1.0-5.0
A	2.2±0/0.1
D	φ3.5

Slotted Type	
L	1.5-5.0
A	2.2±0/0.1
D	φ3.5

**16mm Molded Case Rotary Potentiometer****General**

<b>Operating temperature</b>	<b>-10 °C ~ +70 °C</b>
<b>Manual soldering</b>	<b>300 °C Max 3sec</b>

**Electrical Characteristics**

<b>Total resistance</b>	<b>500Ω ~ 500KΩ</b>
<b>Resistance tolerance</b>	<b>±20% (More than 1MΩ ±30%)</b>
<b>Resistance taper</b>	<b>A B C D</b>
<b>Residual resistance</b>	<b>20Ω Max</b>
<b>Sliding noise</b>	<b>Less than 100mV</b>
<b>Rated power(W)</b>	<b>B Taper : 0.1W Other : 0.05W</b>
<b>Max. Operating voltage</b>	<b>B Taper : AC 200V Other : AC 1500V</b>
<b>Insulation resistance</b>	<b>More than 50MΩ at DC 500V</b>
<b>Withstand voltage</b>	<b>1 Minute at AC 500V</b>

**Mechanical Characteristics**

<b>Total rotational angle</b>	<b>260°±5°</b>
<b>Rotational torque</b>	<b>20 ~ 150 gf.cm</b>
<b>Shaft push-pull strength</b>	<b>1 Kgf.Max</b>
<b>Rotational stopper strength</b>	<b>2 Kgf.cm</b>
<b>Rotational life</b>	<b>10,000 Cycles</b>