

Value line, 16 MHz STM8S 8-bit MCU, 32-Kbyte Flash memory, data EEPROM, 10-bit ADC, timers, UART, SPI, I²C

Datasheet - production data

Features

Core

- Max f_{CPU} : 16 MHz
- Advanced STM8 core with Harvard architecture and 3-stage pipeline
- Extended instruction set

Memories

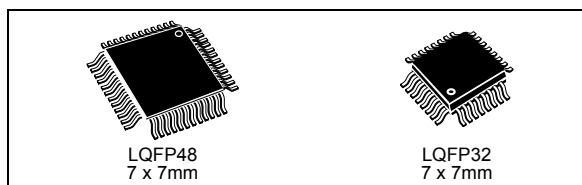
- Medium-density Flash/EEPROM
 - Program memory: 32 Kbytes of Flash memory; data retention 20 years at 55 °C after 100 cycles
 - Data memory: 128 bytes true data EEPROM; endurance up to 100 k write/erase cycles
- RAM: 2 Kbytes

Clock, reset and supply management

- 2.95 V to 5.5 V operating voltage
- Flexible clock control, 4 master clock sources
 - Low-power crystal resonator oscillator
 - External clock input
 - Internal, user-trimmable 16 MHz RC
 - Internal low-power 128 kHz RC
- Clock security system with clock monitor
- Power management
 - Low-power modes (wait, active-halt, halt)
 - Switch-off peripheral clocks individually
 - Permanently active, low-consumption power-on and power-down reset

Interrupt management

- Nested interrupt controller with 32 interrupts
- Up to 37 external interrupts on 6 vectors



Timers

- 2x 16-bit general purpose timers, with 2+3 CAPCOM channels (IC, OC or PWM)
- Advanced control timer: 16-bit, 4 CAPCOM channels, 3 complementary outputs, dead-time insertion and flexible synchronization
- 8-bit basic timer with 8-bit prescaler
- Auto wakeup timer
- Window and independent watchdog timers

Communications interfaces

- UART with clock output for synchronous operation, SmartCard, IrDA, LIN
- SPI interface up to 8 Mbit/s
- I²C interface up to 400 Kbit/s

Analog to digital converter (ADC)

- 10-bit ADC, ± 1 LSB ADC with up to 10 multiplexed channels, scan mode and analog watchdog

I/Os

- Up to 38 I/Os on a 48-pin package including 16 high-sink outputs
- Highly robust I/O design, immune against current injection

Development support

- Embedded single-wire interface module (SWIM) for fast on-chip programming and non-intrusive debugging

Contents

| | | |
|----------|-----------------------------------------------------------------|-----------|
| 1 | Introduction | 9 |
| 2 | Description | 10 |
| 3 | Block diagram | 11 |
| 4 | Product overview | 12 |
| 4.1 | Central processing unit STM8 | 12 |
| 4.2 | Single wire interface module (SWIM) and debug module (DM) | 13 |
| 4.3 | Interrupt controller | 13 |
| 4.4 | Flash program memory and data EEPROM | 13 |
| 4.5 | Clock controller | 15 |
| 4.6 | Power management | 16 |
| 4.7 | Watchdog timers | 16 |
| 4.8 | Auto wakeup counter | 17 |
| 4.9 | Beeper | 17 |
| 4.10 | TIM1 - 16-bit advanced control timer | 17 |
| 4.11 | TIM2, TIM3 - 16-bit general purpose timers | 17 |
| 4.12 | TIM4 - 8-bit basic timer | 18 |
| 4.13 | Analog-to-digital converter (ADC1) | 18 |
| 4.14 | Communication interfaces | 18 |
| 4.14.1 | UART2 | 19 |
| 4.14.2 | SPI | 20 |
| 4.14.3 | I ² C | 20 |
| 5 | Pinouts and pin descriptions | 21 |
| 5.1 | Alternate function remapping | 25 |
| 6 | Memory and register map | 26 |
| 6.1 | Memory map | 26 |
| 6.2 | Register map | 27 |
| 7 | Interrupt vector mapping | 37 |

| | | |
|-----------|---------------------------------------------------------|-----------|
| 8 | Option bytes | 38 |
| 9 | Electrical characteristics | 42 |
| 9.1 | Parameter conditions | 42 |
| 9.1.1 | Minimum and maximum values | 42 |
| 9.1.2 | Typical values | 42 |
| 9.1.3 | Typical curves | 42 |
| 9.1.4 | Typical current consumption | 42 |
| 9.1.5 | Loading capacitor | 43 |
| 9.1.6 | Pin input voltage | 43 |
| 9.2 | Absolute maximum ratings | 43 |
| 9.3 | Operating conditions | 46 |
| 9.3.1 | VCAP external capacitor | 48 |
| 9.3.2 | Supply current characteristics | 48 |
| 9.3.3 | External clock sources and timing characteristics | 58 |
| 9.3.4 | Internal clock sources and timing characteristics | 60 |
| 9.3.5 | Memory characteristics | 63 |
| 9.3.6 | I/O port pin characteristics | 64 |
| 9.3.7 | Reset pin characteristics | 73 |
| 9.3.8 | SPI serial peripheral interface | 75 |
| 9.3.9 | I ² C interface characteristics | 78 |
| 9.3.10 | 10-bit ADC characteristics | 80 |
| 9.3.11 | EMC characteristics | 84 |
| 10 | Package information | 87 |
| 10.1 | LQFP48 package information | 87 |
| 10.2 | LQFP32 package information | 90 |
| 10.3 | Thermal characteristics | 93 |
| 10.3.1 | Reference document | 93 |
| 10.3.2 | Selecting the product temperature range | 94 |
| 11 | Ordering information | 95 |
| 12 | STM8 development tools | 96 |
| 12.1 | Emulation and in-circuit debugging tools | 96 |
| 12.2 | Software tools | 97 |

| | | |
|-----------|---------------------------------|-----------|
| 12.2.1 | STM8 toolset | 97 |
| 12.2.2 | C and assembly toolchains | 97 |
| 12.3 | Programming tools | 97 |
| 13 | Revision history | 98 |

List of tables

| | | |
|-----------|----------------------------------------------------------------------------------------|----|
| Table 1. | STM8S005C6/K6 value line features | 10 |
| Table 2. | Peripheral clock gating bit assignments in CLK_PCKENR1/2 registers | 15 |
| Table 3. | TIM timer features | 18 |
| Table 4. | Legend/abbreviations for STM8S005C6/K6 pin descriptions table | 22 |
| Table 5. | STM8S005C6 and STM8S005K6 pin descriptions | 23 |
| Table 6. | Flash, Data EEPROM and RAM boundary addresses | 27 |
| Table 7. | I/O port hardware register map | 27 |
| Table 8. | General hardware register map | 29 |
| Table 9. | CPU/SWIM/debug module/interrupt controller registers | 35 |
| Table 10. | Interrupt mapping | 37 |
| Table 11. | Option bytes | 38 |
| Table 12. | Option byte description | 39 |
| Table 13. | Description of alternate function remapping bits [7:0] of OPT2 | 41 |
| Table 14. | Voltage characteristics | 43 |
| Table 15. | Current characteristics | 45 |
| Table 16. | Thermal characteristics | 45 |
| Table 17. | General operating conditions | 46 |
| Table 18. | Operating conditions at power-up/power-down | 47 |
| Table 19. | Total current consumption with code execution in run mode at $V_{DD} = 5\text{ V}$ | 49 |
| Table 20. | Total current consumption with code execution in run mode at $V_{DD} = 3.3\text{ V}$ | 50 |
| Table 21. | Total current consumption in wait mode at $V_{DD} = 5\text{ V}$ | 51 |
| Table 22. | Total current consumption in wait mode at $V_{DD} = 3.3\text{ V}$ | 51 |
| Table 23. | Total current consumption in active halt mode at $V_{DD} = 5\text{ V}$ | 52 |
| Table 24. | Total current consumption in active halt mode at $V_{DD} = 3.3\text{ V}$ | 52 |
| Table 25. | Total current consumption in halt mode at $V_{DD} = 5\text{ V}$ | 53 |
| Table 26. | Total current consumption in halt mode at $V_{DD} = 3.3\text{ V}$ | 53 |
| Table 27. | Wakeup times | 53 |
| Table 28. | Total current consumption and timing in forced reset state | 54 |
| Table 29. | Peripheral current consumption | 54 |
| Table 30. | HSE user external clock characteristics | 58 |
| Table 31. | HSE oscillator characteristics | 59 |
| Table 32. | HSI oscillator characteristics | 60 |
| Table 33. | LSI oscillator characteristics | 61 |
| Table 34. | RAM and hardware registers | 63 |
| Table 35. | Flash program memory and data EEPROM | 63 |
| Table 36. | I/O static characteristics | 64 |
| Table 37. | Output driving current (standard ports) | 66 |
| Table 38. | Output driving current (true open drain ports) | 66 |
| Table 39. | Output driving current (high sink ports) | 67 |
| Table 40. | NRST pin characteristics | 73 |
| Table 41. | SPI characteristics | 75 |
| Table 42. | I ² C characteristics | 78 |
| Table 43. | ADC characteristics | 80 |
| Table 44. | ADC accuracy with $R_{AIN} < 10\text{ k}\Omega$, $V_{DDA} = 5\text{ V}$ | 81 |
| Table 45. | ADC accuracy with $R_{AIN} < 10\text{ k}\Omega$, R_{AIN} , $V_{DDA} = 3.3\text{ V}$ | 81 |
| Table 46. | EMS data | 84 |
| Table 47. | EMI data | 85 |
| Table 48. | ESD absolute maximum ratings | 85 |

| | | |
|-----------|-------------------------------------------------------------------------------|----|
| Table 49. | Electrical sensitivities | 86 |
| Table 50. | LQFP48 - 48-pin, 7 x 7 mm low-profile quad flat package mechanical data. | 88 |
| Table 51. | LQFP32 - 32-pin, 7 x 7 mm low-profile quad flat package mechanical data. | 91 |
| Table 52. | Thermal characteristics..... | 93 |
| Table 53. | Document revision history | 98 |

List of figures

| | | |
|------------|------------------------------------------------------------------------------|----|
| Figure 1. | STM8S005C6/K6 value line block diagram | 11 |
| Figure 2. | Flash memory organization | 14 |
| Figure 3. | LQFP 48-pin pinout | 21 |
| Figure 4. | LQFP 32-pin pinout | 22 |
| Figure 5. | Memory map | 26 |
| Figure 6. | Supply current measurement conditions | 42 |
| Figure 7. | Pin loading conditions | 43 |
| Figure 8. | Pin input voltage | 43 |
| Figure 9. | f_{CPUmax} versus V_{DD} | 47 |
| Figure 10. | External capacitor C_{EXT} | 48 |
| Figure 11. | Typ. $I_{DD(RUN)}$ vs V_{DD} , HSE user external clock, $f_{CPU} = 16$ MHz | 55 |
| Figure 12. | Typ. $I_{DD(RUN)}$ vs f_{CPU} , HSE user external clock, $V_{DD} = 5$ V | 55 |
| Figure 13. | Typ. $I_{DD(WFI)}$ vs V_{DD} , HSE user external clock, $f_{CPU} = 16$ MHz | 56 |
| Figure 14. | Typ. $I_{DD(WFI)}$ vs f_{CPU} , HSE user external clock, $V_{DD} = 5$ V | 56 |
| Figure 15. | Typ. $I_{DD(RUN)}$ vs V_{DD} , HSI RC osc, $f_{CPU} = 16$ MHz | 57 |
| Figure 16. | Typ. $I_{DD(WFI)}$ vs V_{DD} , HSI RC osc, $f_{CPU} = 16$ MHz | 57 |
| Figure 17. | HSE external clock source | 58 |
| Figure 18. | HSE oscillator circuit diagram | 59 |
| Figure 19. | Typical HSI frequency variation vs V_{DD} at 3 temperatures | 61 |
| Figure 20. | Typical LSI frequency variation vs V_{DD} @ 25 °C | 62 |
| Figure 21. | Typical V_{IL} and V_{IH} vs V_{DD} @ 3 temperatures | 65 |
| Figure 22. | Typical pull-up resistance vs V_{DD} @ 3 temperatures | 65 |
| Figure 23. | Typical pull-up current vs V_{DD} @ 3 temperatures | 66 |
| Figure 24. | Typ. V_{OL} @ $V_{DD} = 5$ V (standard ports) | 67 |
| Figure 25. | Typ. V_{OL} @ $V_{DD} = 3.3$ V (standard ports) | 68 |
| Figure 26. | Typ. V_{OL} @ $V_{DD} = 5$ V (true open drain ports) | 68 |
| Figure 27. | Typ. V_{OL} @ $V_{DD} = 3.3$ V (true open drain ports) | 69 |
| Figure 28. | Typ. V_{OL} @ $V_{DD} = 5$ V (high sink ports) | 69 |
| Figure 29. | Typ. V_{OL} @ $V_{DD} = 3.3$ V (high sink ports) | 70 |
| Figure 30. | Typ. $V_{DD} - V_{OH}$ @ $V_{DD} = 5$ V (standard ports) | 70 |
| Figure 31. | Typ. $V_{DD} - V_{OH}$ @ $V_{DD} = 3.3$ V (standard ports) | 71 |
| Figure 32. | Typ. $V_{DD} - V_{OH}$ @ $V_{DD} = 5$ V (high sink ports) | 71 |
| Figure 33. | Typ. $V_{DD} - V_{OH}$ @ $V_{DD} = 3.3$ V (high sink ports) | 72 |
| Figure 34. | Typical NRST V_{IL} and V_{IH} vs V_{DD} @ 3 temperatures | 73 |
| Figure 35. | Typical NRST pull-up resistance vs V_{DD} @ 3 temperatures | 74 |
| Figure 36. | Typical NRST pull-up current vs V_{DD} @ 3 temperatures | 74 |
| Figure 37. | Recommended reset pin protection | 75 |
| Figure 38. | SPI timing diagram - slave mode and $CPHA = 0$ | 76 |
| Figure 39. | SPI timing diagram - slave mode and $CPHA = 1^{(1)}$ | 76 |
| Figure 40. | SPI timing diagram - master mode ⁽¹⁾ | 77 |
| Figure 41. | Typical application with I ² C bus and timing diagram | 79 |
| Figure 42. | ADC accuracy characteristics | 83 |
| Figure 43. | Typical application with ADC | 83 |
| Figure 44. | LQFP48 - 48-pin, 7 x 7 mm low-profile quad flat package outline | 87 |
| Figure 45. | LQFP48 - 48-pin, 7 x 7 mm low-profile quad flat recommended footprint | 89 |
| Figure 46. | LQFP48 marking example (package top view) | 89 |
| Figure 47. | LQFP32 - 32-pin, 7 x 7 mm low-profile quad flat package outline | 90 |
| Figure 48. | LQFP32 - 32-pin, 7 x 7 mm low-profile quad flat recommended footprint | 91 |

| | |
|--------------------------------------------------------------------------------------|----|
| Figure 49. LQFP32 marking example (package top view) | 92 |
| Figure 50. STM8S005C6/K6 value line ordering information scheme ⁽¹⁾ | 95 |

1 Introduction

This datasheet contains the description of the STM8S005C6/K6 value line features, pinout, electrical characteristics, mechanical data and ordering information.

- For complete information on the STM8S microcontroller memory, registers and peripherals, please refer to the STM8S and STM8A microcontroller families reference manual (RM0016).
- For information on programming, erasing and protection of the internal Flash memory please refer to the PM0051 (How to program STM8S and STM8A Flash program memory and data EEPROM).
- For information on the debug and SWIM (single wire interface module) refer to the STM8 SWIM communication protocol and debug module user manual (UM0470).
- For information on the STM8 core, please refer to the STM8 CPU programming manual (PM0044).

2 Description

The STM8S005C6/K6 value line 8-bit microcontrollers offer 32 Kbytes of Flash program memory, plus 128 bytes of data EEPROM. They are referred to as medium-density devices in the STM8S microcontroller family reference manual (RM0016).

All devices of STM8S005C6/K6 value line provide the following benefits: performance, robustness, reduced system cost and short development cycles.

Device performance and robustness are ensured by true data EEPROM supporting up to 100000 write/erase cycles, advanced core and peripherals made in a state-of-the-art technology at 16 MHz clock frequency, robust I/Os, independent watchdogs with separate clock source, and a clock security system.

The system cost is reduced thanks to a high system integration level with internal clock oscillators, watchdog, and brown-out reset.

The common family product architecture with compatible pinout, memory map and modular peripherals allow application scalability and reduced development cycles.

All products operate from a 2.95 V to 5.5 V supply voltage.

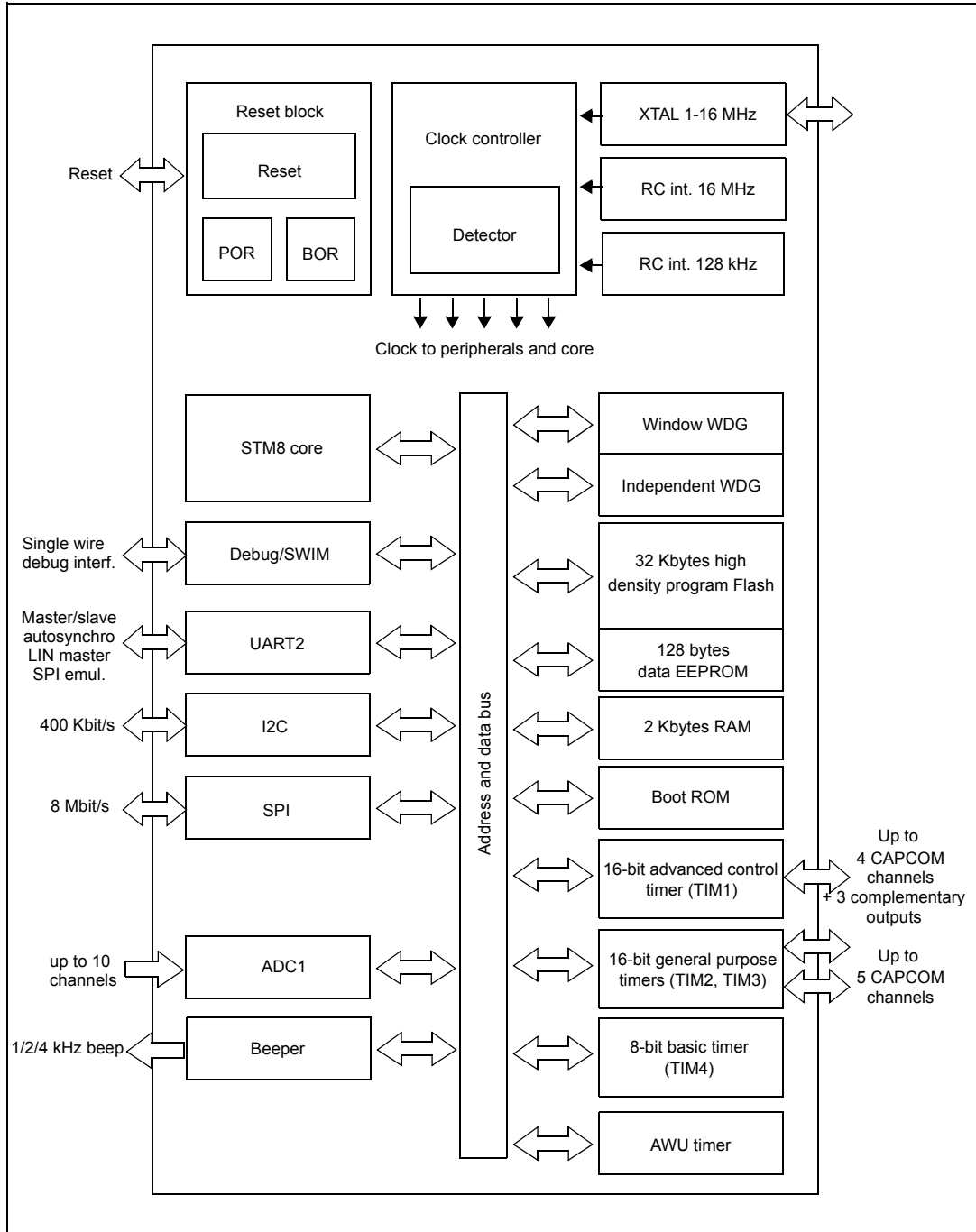
Full documentation is offered as well as a wide choice of development tools.

Table 1. STM8S005C6/K6 value line features

| Features | STM8S005C6 | STM8S005K6 |
|---------------------------------------------|---------------------------------------------------------------------------------------------------------------------------------------------|------------|
| Pin count | 48 | 32 |
| Max. number of GPIOs (I/O) | 38 | 25 |
| External interrupt pins | 35 | 23 |
| Timer CAPCOM channels | 9 | 8 |
| Timer complementary outputs | 3 | 3 |
| A/D converter channels | 10 | 7 |
| High-sink I/Os | 16 | 12 |
| Medium-density Flash program memory (bytes) | 32 K | 32 K |
| Data EEPROM (bytes) | 128 | 128 |
| RAM (bytes) | 2 K | 2 K |
| Peripheral set | Advanced control timer (TIM1), general purpose timers (TIM2 and TIM3), basic timer (TIM4), SPI, I2C, UART, Window WDG, independent WDG, ADC | |

3 Block diagram

Figure 1. STM8S005C6/K6 value line block diagram



4 Product overview

The following section intends to give an overview of the basic features of the STM8S005C6/K6 value line functional modules and peripherals.

For more detailed information please refer to the corresponding family reference manual (RM0016).

4.1 Central processing unit STM8

The 8-bit STM8 core is designed for code efficiency and performance.

It contains six internal registers which are directly addressable in each execution context, 20 addressing modes including indexed indirect and relative addressing and 80 instructions.

Architecture and registers

- Harvard architecture
- 3-stage pipeline
- 32-bit wide program memory bus - single cycle fetching for most instructions
- X and Y 16-bit index registers - enabling indexed addressing modes with or without offset and read-modify-write type data manipulations
- 8-bit accumulator
- 24-bit program counter - 16-Mbyte linear memory space
- 16-bit stack pointer - access to a 64 K-level stack
- 8-bit condition code register - 7 condition flags for the result of the last instruction

Addressing

- 20 addressing modes
- Indexed indirect addressing mode for look-up tables located anywhere in the address space
- Stack pointer relative addressing mode for local variables and parameter passing

Instruction set

- 80 instructions with 2-byte average instruction size
- Standard data movement and logic/arithmetic functions
- 8-bit by 8-bit multiplication
- 16-bit by 8-bit and 16-bit by 16-bit division
- Bit manipulation
- Data transfer between stack and accumulator (push/pop) with direct stack access
- Data transfer using the X and Y registers or direct memory-to-memory transfers

4.2 Single wire interface module (SWIM) and debug module (DM)

The single wire interface module and debug module permits non-intrusive, real-time in-circuit debugging and fast memory programming.

SWIM

Single wire interface module for direct access to the debug module and memory programming. The interface can be activated in all device operation modes. The maximum data transmission speed is 145 byte/ms.

Debug module

The non-intrusive debugging module features a performance close to a full-featured emulator. Beside memory and peripherals, also CPU operation can be monitored in real-time by means of shadow registers.

- R/W to RAM and peripheral registers in real-time
- R/W access to all resources by stalling the CPU
- Breakpoints on all program-memory instructions (software breakpoints)
- Two advanced breakpoints, 23 predefined configurations

4.3 Interrupt controller

- Nested interrupts with three software priority levels
- 32 interrupt vectors with hardware priority
- Up to 37 external interrupts on six vectors including TLI
- Trap and reset interrupts

4.4 Flash program memory and data EEPROM

- 32 Kbyte of Flash program single voltage Flash memory
- 128 byte true data EEPROM
- Read while write: Writing in data memory possible while executing code in program memory.
- User option byte area

Write protection (WP)

Write protection of Flash program memory and data EEPROM is provided to avoid unintentional overwriting of memory that could result from a user software malfunction.

There are two levels of write protection. The first level is known as MASS (memory access security system). MASS is always enabled and protects the main Flash program memory, data EEPROM and option bytes.

To perform in-application programming (IAP), this write protection can be removed by writing a MASS key sequence in a control register. This allows the application to write to data EEPROM, modify the contents of main program memory or the device option bytes.

A second level of write protection, can be enabled to further protect a specific area of memory known as UBC (user boot code). Refer to [Figure 2](#).

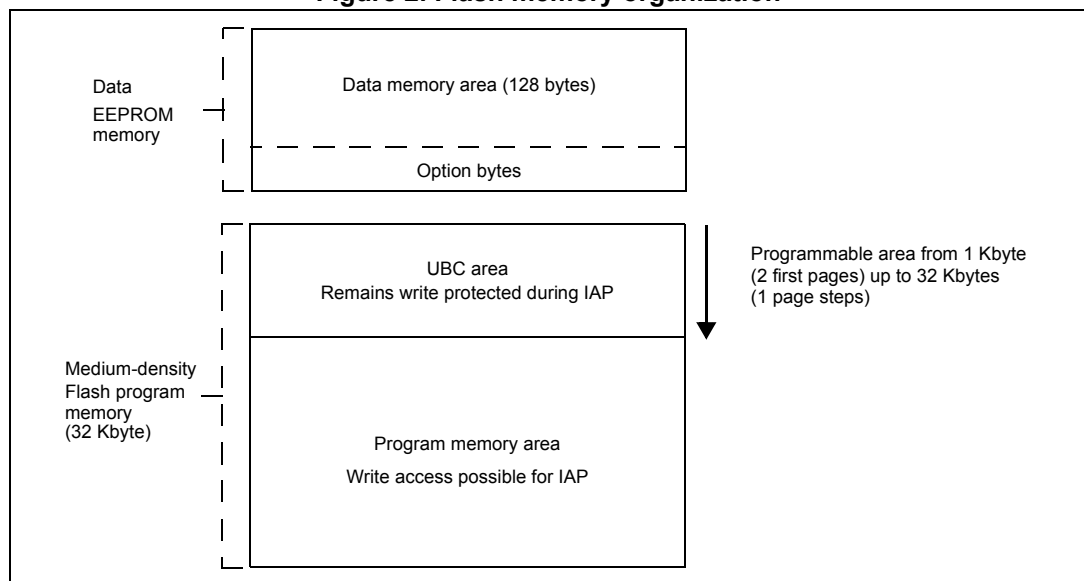
The size of the UBC is programmable through the UBC option byte ([Table 12](#)), in increments of 1 page (512 byte) by programming the UBC option byte in ICP mode.

This divides the program memory into two areas:

- Main program memory: 32 Kbyte minus UBC
- User-specific boot code (UBC): Configurable up to 32 Kbyte

The UBC area remains write-protected during in-application programming. This means that the MASS keys do not unlock the UBC area. It protects the memory used to store the boot program, specific code libraries, reset and interrupt vectors, the reset routine and usually the IAP and communication routines.

Figure 2. Flash memory organization



Read-out protection (ROP)

The read-out protection blocks reading and writing the Flash program memory and data EEPROM memory in ICP mode (and debug mode). Once the read-out protection is activated, any attempt to toggle its status triggers a global erase of the program and data memory. Even if no protection can be considered as totally unbreakable, the feature provides a very high level of protection for a general purpose microcontroller.

4.5 Clock controller

The clock controller distributes the system clock (f_{MASTER}) coming from different oscillators to the core and the peripherals. It also manages clock gating for low power modes and ensures clock robustness.

Features

- **Clock prescaler:** To get the best compromise between speed and current consumption the clock frequency to the CPU and peripherals can be adjusted by a programmable prescaler.
- **Safe clock switching:** Clock sources can be changed safely on the fly in run mode through a configuration register. The clock signal is not switched until the new clock source is ready. The design guarantees glitch-free switching.
- **Clock management:** To reduce power consumption, the clock controller can stop the clock to the core, individual peripherals or memory.
- **Master clock sources:** Four different clock sources can be used to drive the master clock:
 - 1-16 MHz high-speed external crystal (HSE)
 - Up to 16 MHz high-speed user-external clock (HSE user-ext)
 - 16 MHz high-speed internal RC oscillator (HSI)
 - 128 kHz low-speed internal RC (LSI)
- **Startup clock:** After reset, the microcontroller restarts by default with an internal 2 MHz clock (HSI/8). The prescaler ratio and clock source can be changed by the application program as soon as the code execution starts.
- **Clock security system (CSS):** This feature can be enabled by software. If an HSE clock failure occurs, the internal RC (16 MHz/8) is automatically selected by the CSS and an interrupt can optionally be generated.
- **Configurable main clock output (CCO):** This outputs an external clock for use by the application.

Table 2. Peripheral clock gating bit assignments in CLK_PCKENR1/2 registers

| Bit | Peripheral clock | Bit | Peripheral clock | Bit | Peripheral clock | Bit | Peripheral clock |
|---------|------------------|---------|------------------|---------|------------------|---------|------------------|
| PCKEN17 | TIM1 | PCKEN13 | UART2 | PCKEN27 | Reserved | PCKEN23 | ADC |
| PCKEN16 | TIM3 | PCKEN12 | Reserved | PCKEN26 | Reserved | PCKEN22 | AWU |
| PCKEN15 | TIM2 | PCKEN11 | SPI | PCKEN25 | Reserved | PCKEN21 | Reserved |
| PCKEN14 | TIM4 | PCKEN10 | I ² C | PCKEN24 | Reserved | PCKEN20 | Reserved |

4.6 Power management

For efficient power management, the application can be put in one of four different low-power modes. You can configure each mode to obtain the best compromise between the lowest power consumption, the fastest start-up time and available wakeup sources.

- **Wait mode:** In this mode, the CPU is stopped, but peripherals are kept running. The wakeup is performed by an internal or external interrupt or reset.
- **Active halt mode with regulator on:** In this mode, the CPU and peripheral clocks are stopped. An internal wakeup is generated at programmable intervals by the auto wake up unit (AWU). The main voltage regulator is kept powered on, so current consumption is higher than in active halt mode with regulator off, but the wakeup time is faster. Wakeup is triggered by the internal AWU interrupt, external interrupt or reset.
- **Active halt mode with regulator off:** This mode is the same as active halt with regulator on, except that the main voltage regulator is powered off, so the wake up time is slower.
- **Halt mode:** In this mode the microcontroller uses the least power. The CPU and peripheral clocks are stopped, the main voltage regulator is powered off. Wakeup is triggered by external event or reset.

4.7 Watchdog timers

The watchdog system is based on two independent timers providing maximum security to the applications.

Activation of the watchdog timers is controlled by option bytes or by software. Once activated, the watchdogs cannot be disabled by the user program without performing a reset.

Window watchdog timer

The window watchdog is used to detect the occurrence of a software fault, usually generated by external interferences or by unexpected logical conditions, which cause the application program to abandon its normal sequence.

The window function can be used to trim the watchdog behavior to match the application perfectly.

The application software must refresh the counter before time-out and during a limited time window.

A reset is generated in two situations:

1. Timeout: at 16 MHz CPU clock the time-out period can be adjusted between 75 μ s up to 64 ms.
2. Refresh out of window: the down-counter is refreshed before its value is lower than the one stored in the window register.

Independent watchdog timer

The independent watchdog peripheral can be used to resolve processor malfunctions due to hardware or software failures.

It is clocked by the 128 kHz LSI internal RC clock source, and thus stays active even in case of a CPU clock failure

The IWDG time base spans from 60 μ s to 1 s.

4.8 Auto wakeup counter

- Used for auto wakeup from active halt mode
- Clock source: internal 128 kHz internal low frequency RC oscillator or external clock
- LSI clock can be internally connected to TIM3 input capture channel 1 for calibration

4.9 Beeper

The beeper function outputs a signal on the BEEP pin for sound generation. The signal is in the range of 1, 2 or 4 kHz.

The beeper output port is only available through the alternate function remap option bit AFR7.

4.10 TIM1 - 16-bit advanced control timer

This is a high-end timer designed for a wide range of control applications. With its complementary outputs, dead-time control and center-aligned PWM capability, the field of applications is extended to motor control, lighting and half-bridge driver.

- 16-bit up, down and up/down autoreload counter with 16-bit prescaler
- Four independent capture/compare channels (CAPCOM) configurable as input capture, output compare, PWM generation (edge and center aligned mode) and single pulse mode output
- Synchronization module to control the timer with external signals
- Break input to force the timer outputs into a defined state
- Three complementary outputs with adjustable dead time
- Encoder mode
- Interrupt sources: 3 x input capture/output compare, 1 x overflow/update, 1 x break

4.11 TIM2, TIM3 - 16-bit general purpose timers

- 16-bit autoreload (AR) up-counter
- 15-bit prescaler adjustable to fixed power of 2 ratios 1...32768
- Timers with 3 or 2 individually configurable capture/compare channels
- PWM mode
- Interrupt sources: 2 or 3 x input capture/output compare, 1 x overflow/update

4.12 TIM4 - 8-bit basic timer

- 8-bit autoreload, adjustable prescaler ratio to any power of 2 from 1 to 128
- Clock source: CPU clock
- Interrupt source: 1 x overflow/update

Table 3. TIM timer features

| Timer | Counter size (bits) | Prescaler | Counting mode | CAPCOM channels | Complem. outputs | Ext. trigger | Timer synchronization/chaining |
|-------|---------------------|--------------------------------|---------------|-----------------|------------------|--------------|--------------------------------|
| TIM1 | 16 | Any integer from 1 to 65536 | Up/down | 4 | 3 | Yes | No |
| TIM2 | 16 | Any power of 2 from 1 to 32768 | Up | 3 | 0 | No | |
| TIM3 | 16 | Any power of 2 from 1 to 32768 | Up | 2 | 0 | No | |
| TIM4 | 8 | Any power of 2 from 1 to 128 | Up | 0 | 0 | No | |

4.13 Analog-to-digital converter (ADC1)

STM8S005C6/K6 value line products contain a 10-bit successive approximation A/D converter (ADC1) with up to 10 multiplexed input channels and the following main features:

- Input voltage range: 0 to V_{DDA}
- Conversion time: 14 clock cycles
- Single and continuous, buffered continuous conversion modes
- Buffer size (10 x 10 bits)
- Scan mode for single and continuous conversion of a sequence of channels
- Analog watchdog capability with programmable upper and lower thresholds
- Analog watchdog interrupt
- External trigger input
- Trigger from TIM1 TRGO
- End of conversion (EOC) interrupt

Note: Additional AIN12 analog input is not selectable in ADC scan mode or with analog watchdog. Values converted from AIN12 are stored only into the ADC_DRH/ADC_DRL registers.

4.14 Communication interfaces

The following communication interfaces are implemented:

- UART2: full feature UART, synchronous mode, SPI master mode, SmartCard mode, IrDA mode, LIN2.1 master/slave capability
- SPI: full and half-duplex, 8 Mbit/s
- I²C: up to 400 Kbit/s

4.14.1 UART2

Main features

- 1 Mbit/s full duplex SCI
- SPI emulation
- High precision baud rate generator
- Smartcard emulation
- IrDA SIR encoder decoder
- LIN master mode
- Single wire half duplex mode

Asynchronous communication (UART mode)

- Full duplex communication - NRZ standard format (mark/space)
- Programmable transmit and receive baud rates up to 1 Mbit/s ($f_{CPU}/16$) and capable of following any standard baud rate regardless of the input frequency
- Separate enable bits for transmitter and receiver
- Two receiver wakeup modes:
 - Address bit (MSB)
 - Idle line (interrupt)
- Transmission error detection with interrupt generation
- Parity control

Synchronous communication

- Full duplex synchronous transfers
- SPI master operation
- 8-bit data communication
- Maximum speed: 1 Mbit/s at 16 MHz ($f_{CPU}/16$)

LIN master mode

- Emission: generates 13-bit synch. break frame
- Reception: detects 11-bit break frame

LIN slave mode

- Autonomous header handling - one-single interrupt per valid message header
- Automatic baud rate synchronization - maximum tolerated initial clock deviation $\pm 15\%$
- Synch. delimiter checking
- 11-bit LIN synch. break detection - break detection always active
- Parity check on the LIN identifier field
- LIN error management
- Hot plugging support

4.14.2 SPI

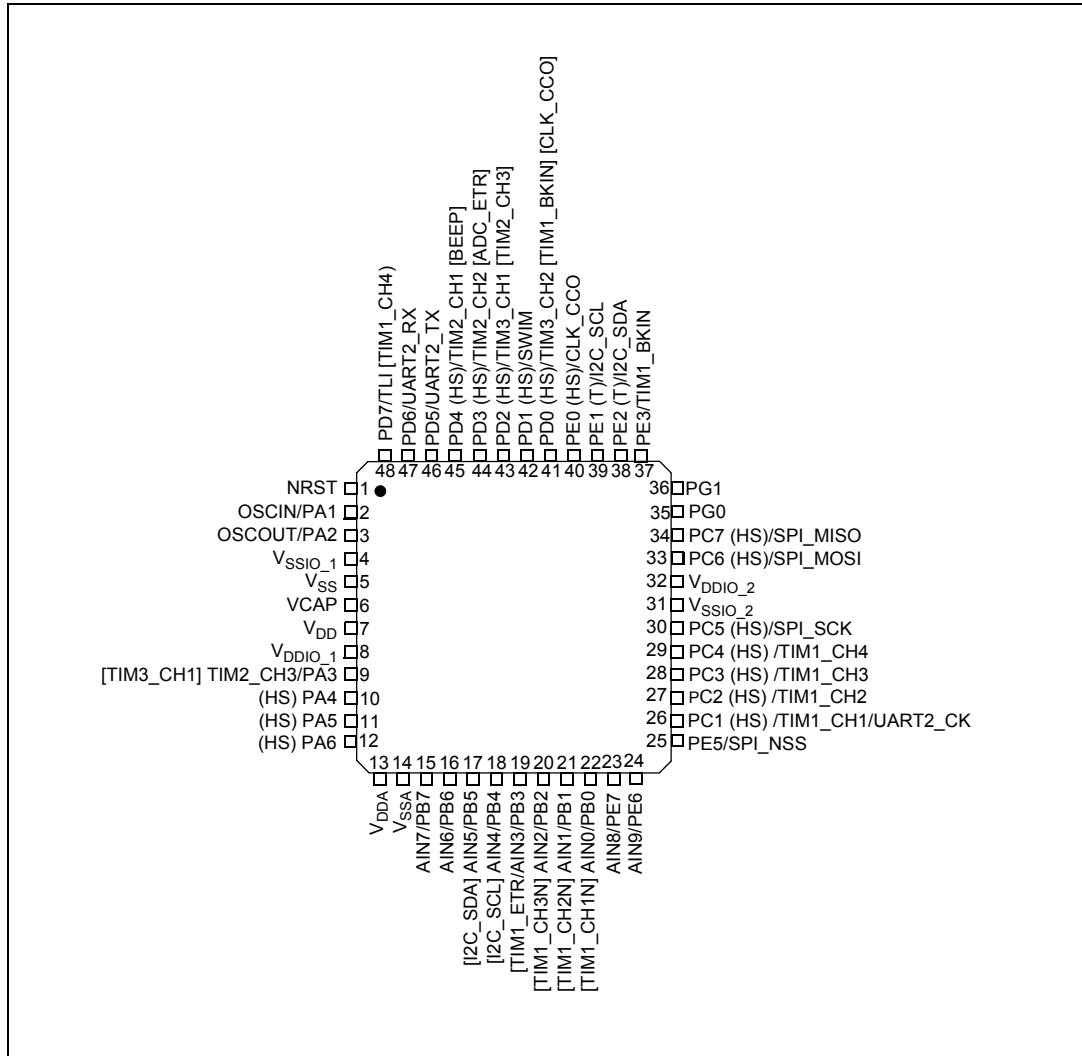
- Maximum speed: 8 Mbit/s ($f_{\text{MASTER}}/2$) both for master and slave
- Full duplex synchronous transfers
- Simplex synchronous transfers on two lines with a possible bidirectional data line
- Master or slave operation - selectable by hardware or software
- CRC calculation
- 1 byte Tx and Rx buffer
- Slave/master selection input pin

4.14.3 I²C

- I²C master features
 - Clock generation
 - Start and stop generation
- I²C slave features
 - Programmable I²C address detection
 - Stop bit detection
- Generation and detection of 7-bit/10-bit addressing and general call
- Supports different communication speeds
 - Standard speed (up to 100 kHz)
 - Fast speed (up to 400 kHz)

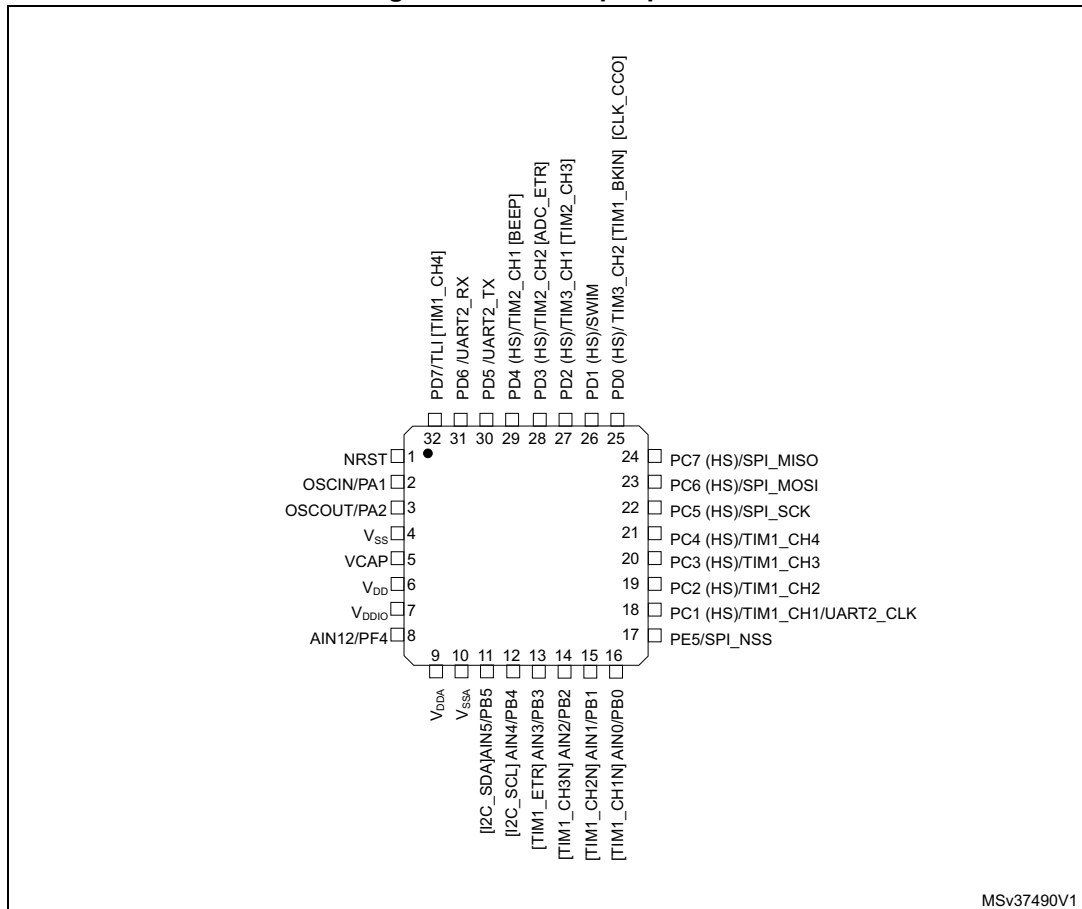
5 Pinouts and pin descriptions

Figure 3. LQFP 48-pin pinout



1. (HS) high sink capability.
2. (T) True open drain (P-buffer and protection diode to V_{DD} not implemented).
3. [] alternate function remapping option (If the same alternate function is shown twice, it indicates an exclusive choice not a duplication of the function).

Figure 4. LQFP 32-pin pinout



MSv37490V1

Table 4. Legend/abbreviations for STM8S005C6/K6 pin descriptions table

| | | |
|--------------------------------|-------------------------------------------------------------------------------------------------------------------------------------------------------------------------------------------------------|------------------------------------------------------|
| Type | I = input, O = output, S = power supply | |
| Level | Input | CM = CMOS |
| | Output | HS = high sink |
| Output speed | O1 = slow (up to 2 MHz) O2 = fast (up to 10 MHz) O3 = fast/slow programmability with slow as default state after reset O4 = fast/slow programmability with fast as default state after reset | |
| Port and control configuration | Input | float = floating, wpu = weak pull-up |
| | Output | T = true open drain, OD = open drain, PP = push pull |
| Reset state | Bold x (pin state after internal reset release) Unless otherwise specified, the pin state is the same during the reset phase and after the internal reset release. | |

Table 5. STM8S005C6 and STM8S005K6 pin descriptions

| Pin number | | Pin name | Type | Input | | | Output | | | | Main function (after reset) | Default alternate function | Alternate function after remap [option bit] |
|------------|--------|------------------------------------|------|----------|-----|----------------|-----------|-------|----|----|--------------------------------|-----------------------------------|------------------------------------------------------|
| LQFP48 | LQFP32 | | | floating | wpu | Ext. interrupt | High sink | Speed | OD | PP | | | |
| 1 | 1 | NRST | I/O | - | X | - | - | - | - | - | Reset | - | |
| 2 | 2 | PA1/OSCIN | I/O | X | X | - | - | O1 | X | X | Port A1 | Resonator/ crystal in | - |
| 3 | 3 | PA2/OSCOOUT | I/O | X | X | X | - | O1 | X | X | Port A2 | Resonator/ crystal out | - |
| 4 | - | V _{SSIO_1} | S | - | - | - | - | - | - | - | I/O ground | - | |
| 5 | 4 | V _{SS} | S | - | - | - | - | - | - | - | Digital ground | - | |
| 6 | 5 | VCAP | S | - | - | - | - | - | - | - | 1.8 V regulator capacitor | - | |
| 7 | 6 | V _{DD} | S | - | - | - | - | - | - | - | Digital power supply | - | |
| 8 | 7 | V _{DDIO_1} | S | - | - | - | - | - | - | - | I/O power supply | - | |
| 9 | - | PA3/TIM2_CH3 | I/O | X | X | X | - | O1 | X | X | Port A3 | Timer 2 - channel3 | TIM3_CH1 [AFR1] |
| 10 | - | PA4 | I/O | X | X | X | HS | O3 | X | X | Port A4 | - | - |
| 11 | - | PA5 | I/O | X | X | X | HS | O3 | X | X | Port A5 | - | - |
| 12 | - | PA6 | I/O | X | X | X | HS | O3 | X | X | Port A6 | - | - |
| - | 8 | PF4/AIN12 ⁽¹⁾ | I/O | X | X | - | - | O1 | X | X | Port F4 | Analog input 12 ⁽²⁾ | - |
| 13 | 9 | V _{DDA} | S | - | - | - | - | - | - | - | Analog power supply | - | |
| 14 | 10 | V _{SSA} | S | - | - | - | - | - | - | - | Analog ground | - | |
| 15 | - | PB7/AIN7 | I/O | X | X | X | - | O1 | X | X | Port B7 | Analog input 7 | - |
| 16 | - | PB6/AIN6 | I/O | X | X | X | - | O1 | X | X | Port B6 | Analog input 6 | - |
| 17 | 11 | PB5/AIN5 [I ² C_SDA] | I/O | X | X | X | - | O1 | X | X | Port B5 | Analog input 5 | I ² C_SDA [AFR6] |
| 18 | 12 | PB4/AIN4 [I ² C_SCL] | I/O | X | X | X | - | O1 | X | X | Port B4 | Analog input 4 | I ² C_SCL [AFR6] |
| 19 | 13 | PB3/AIN3 [TIM1_ETR] | I/O | X | X | X | - | O1 | X | X | Port B3 | Analog input 3 | TIM1_ETR [AFR5] |
| 20 | 14 | PB2/AIN2 [TIM1_CH3N] | I/O | X | X | X | - | O1 | X | X | Port B2 | Analog input 2 | TIM1_ CH3N [AFR5] |
| 21 | 15 | PB1/AIN1 [TIM1_CH2N] | I/O | X | X | X | - | O1 | X | X | Port B1 | Analog input 1 | TIM1_ CH2N [AFR5] |

Table 5. STM8S005C6 and STM8S005K6 pin descriptions (continued)

| Pin number | | Pin name | Type | Input | | | Output | | | | Main function (after reset) | Default alternate function | Alternate function after remap [option bit] |
|------------|--------|---------------------------|------|----------|-----|----------------|-----------|-------|------------------|----|--------------------------------|-------------------------------------------------|------------------------------------------------------|
| LQFP48 | LQFP32 | | | floating | wpu | Ext. interrupt | High sink | Speed | OD | PP | | | |
| 22 | 16 | PB0/AIN0 [TIM1_CH1N] | I/O | X | X | X | - | O1 | X | X | Port B0 | Analog input 0 | TIM1_CH1N [AFR5] |
| 23 | - | PE7/AIN8 | I/O | X | X | X | - | O1 | X | X | Port E7 | Analog input 8 | - |
| 24 | - | PE6/AIN9 | I/O | X | X | X | - | O1 | X | X | Port E6 | Analog input 9 | - |
| 25 | 17 | PE5/SPI_NSS | I/O | X | X | X | - | O1 | X | X | Port E5 | SPI master/slave select | - |
| 26 | 18 | PC1/TIM1_CH1/ UART2_CK | I/O | X | X | X | HS | O3 | X | X | Port C1 | Timer 1 - channel 1/ UART2 synchronous clock | - |
| 27 | 19 | PC2/TIM1_CH2 | I/O | X | X | X | HS | O3 | X | X | Port C2 | Timer 1 - channel 2 | - |
| 28 | 20 | PC3/TIM1_CH3 | I/O | X | X | X | HS | O3 | X | X | Port C3 | Timer 1 - channel 3 | - |
| 29 | 21 | PC4/TIM1_CH4 | I/O | X | X | X | HS | O3 | X | X | Port C4 | Timer 1 - channel 4 | - |
| 30 | 22 | PC5/SPI_SCK | I/O | X | X | X | HS | O3 | X | X | Port C5 | SPI clock | - |
| 31 | - | V _{SSIO_2} | S | - | - | - | - | - | - | - | I/O ground | | - |
| 32 | - | V _{DDIO_2} | S | - | - | - | - | - | - | - | I/O power supply | | - |
| 33 | 23 | PC6/SPI_MOSI | I/O | X | X | X | HS | O3 | X | X | Port C6 | SPI master out/slave in | - |
| 34 | 24 | PC7/SPI_MISO | I/O | X | X | X | HS | O3 | X | X | Port C7 | SPI master in/slave out | - |
| 35 | - | PG0 | I/O | X | X | - | - | O1 | X | X | Port G0 | - | - |
| 36 | - | PG1 | I/O | X | X | - | - | O1 | X | X | Port G1 | - | - |
| 37 | - | PE3/TIM1_BKIN | I/O | X | X | X | - | O1 | X | X | Port E3 | Timer 1 - break input | - |
| 38 | - | PE2/I ² C_SDA | I/O | X | - | X | - | O1 | T ⁽³⁾ | | Port E2 | I ² C data | - |
| 39 | - | PE1/I ² C_SCL | I/O | X | - | X | - | O1 | T ⁽³⁾ | | Port E1 | I ² C clock | - |
| 40 | - | PE0/CLK_CCO | I/O | X | X | X | HS | O3 | X | X | Port E0 | Configurable clock output | - |

Table 5. STM8S005C6 and STM8S005K6 pin descriptions (continued)

| Pin number | | Pin name | Type | Input | | | Output | | | | Main function (after reset) | Default alternate function | Alternate function after remap [option bit] |
|------------|--------|------------------------------------------|------|----------|-----|----------------|-----------|-------|----|----|--------------------------------|----------------------------------|------------------------------------------------------|
| LQFP48 | LQFP32 | | | floating | wpu | Ext. interrupt | High sink | Speed | OD | PP | | | |
| 41 | 25 | PD0/TIM3_CH2 [TIM1_BKIN] [CLK_CCO] | I/O | X | X | X | HS | O3 | X | X | Port D0 | Timer 3 - channel 2 | TIM1_BKIN [AFR3]/ CLK_CCO [AFR2] |
| 42 | 26 | PD1/SWIM ⁽⁴⁾ | I/O | X | X | X | HS | O4 | X | X | Port D1 | SWIM data interface | - |
| 43 | 27 | PD2/TIM3_CH1 [TIM2_CH3] | I/O | X | X | X | HS | O3 | X | X | Port D2 | Timer 3 - channel 1 | TIM2_CH3 [AFR1] |
| 44 | 28 | PD3/TIM2_CH2 [ADC_ETR] | I/O | X | X | X | HS | O3 | X | X | Port D3 | Timer 2 - channel 2 | ADC_ETR [AFR0] |
| 45 | 29 | PD4/TIM2_CH1 [BEEP] | I/O | X | X | X | HS | O3 | X | X | Port D4 | Timer 2 - channel 1 | BEEP output [AFR7] |
| 46 | 30 | PD5/ UART2_TX | I/O | X | X | X | | O1 | X | X | Port D5 | UART2 data transmit | - |
| 47 | 31 | PD6/ UART2_RX | I/O | X | X | X | | O1 | X | X | Port D6 | UART2 data receive | - |
| 48 | 32 | PD7/TLI [TIM1_CH4] | I/O | X | X | X | | O1 | X | X | Port D7 | Top level interrupt | TIM1_CH4 [AFR4] |

1. A pull-up is applied to PF4 during the reset phase. This pin is input floating after reset release.
2. AIN12 is not selectable in ADC scan mode or with analog watchdog.
3. In the open-drain output column, 'T' defines a true open-drain I/O (P-buffer, weak pull-up, and protection diode to V_{DD} are not implemented).
4. The PD1 pin is in input pull-up during the reset phase and after the internal reset release.

5.1 Alternate function remapping

As shown in the rightmost column of the pin description table, some alternate functions can be remapped at different I/O ports by programming one of eight AFR (alternate function remap) option bits. Refer to [Section 8: Option bytes](#). When the remapping option is active, the default alternate function is no longer available.

To use an alternate function, the corresponding peripheral must be enabled in the peripheral registers.

Alternate function remapping does not effect GPIO capabilities of the I/O ports (see the GPIO section of the family reference manual, RM0016).

6 Memory and register map

6.1 Memory map

Figure 5. Memory map

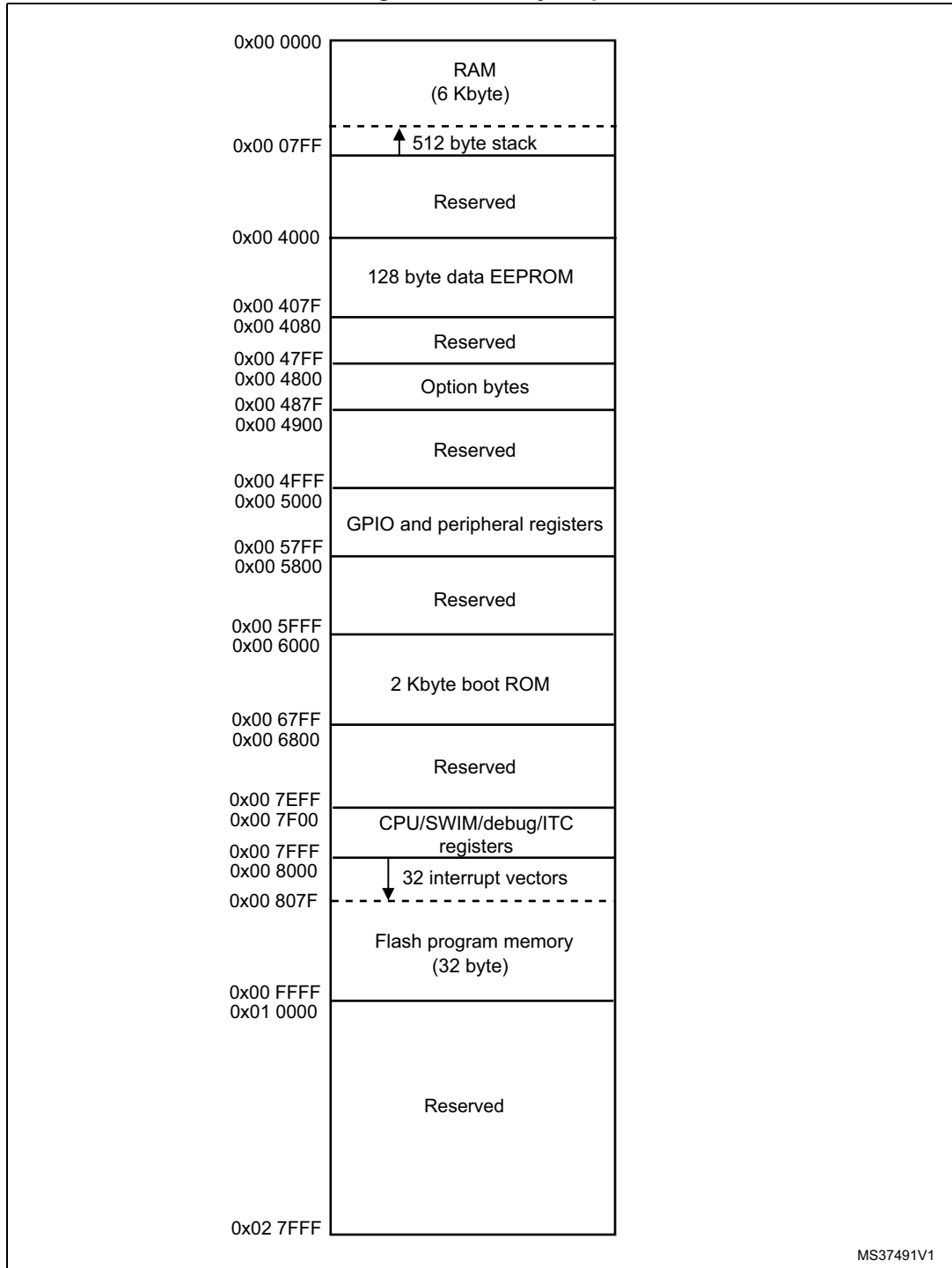


Table 6 lists the boundary addresses for each memory size. The top of the stack is at the RAM end address in each case.

Table 6. Flash, Data EEPROM and RAM boundary addresses

| Memory area | Size (byte) | Start address | End address |
|----------------------|-------------|---------------|-------------|
| Flash program memory | 32 K | 0x00 8000 | 0x00 FFFF |
| RAM | 2 K | 0x00 0000 | 0x00 07FF |
| Data EEPROM | 128 | 0x00 4000 | 0x00 407F |

6.2 Register map

Table 7. I/O port hardware register map

| Address | Block | Register label | Register name | Reset status |
|-----------|--------|----------------|-----------------------------------|---------------------|
| 0x00 5000 | Port A | PA_ODR | Port A data output latch register | 0x00 |
| 0x00 5001 | | PA_IDR | Port A input pin value register | 0xXX ⁽¹⁾ |
| 0x00 5002 | | PA_DDR | Port A data direction register | 0x00 |
| 0x00 5003 | | PA_CR1 | Port A control register 1 | 0x00 |
| 0x00 5004 | | PA_CR2 | Port A control register 2 | 0x00 |
| 0x00 5005 | Port B | PB_ODR | Port B data output latch register | 0x00 |
| 0x00 5006 | | PB_IDR | Port B input pin value register | 0xXX ⁽¹⁾ |
| 0x00 5007 | | PB_DDR | Port B data direction register | 0x00 |
| 0x00 5008 | | PB_CR1 | Port B control register 1 | 0x00 |
| 0x00 5009 | | PB_CR2 | Port B control register 2 | 0x00 |
| 0x00 500A | Port C | PC_ODR | Port C data output latch register | 0x00 |
| 0x00 500B | | PC_IDR | Port C input pin value register | 0xXX ⁽¹⁾ |
| 0x00 500C | | PC_DDR | Port C data direction register | 0x00 |
| 0x00 500D | | PC_CR1 | Port C control register 1 | 0x00 |
| 0x00 500E | | PC_CR2 | Port C control register 2 | 0x00 |
| 0x00 500F | Port D | PD_ODR | Port D data output latch register | 0x00 |
| 0x00 5010 | | PD_IDR | Port D input pin value register | 0xXX ⁽¹⁾ |
| 0x00 5011 | | PD_DDR | Port D data direction register | 0x00 |
| 0x00 5012 | | PD_CR1 | Port D control register 1 | 0x02 |
| 0x00 5013 | | PD_CR2 | Port D control register 2 | 0x00 |

Table 7. I/O port hardware register map (continued)

| Address | Block | Register label | Register name | Reset status |
|-----------|--------|----------------|-----------------------------------|---------------------|
| 0x00 5014 | Port E | PE_ODR | Port E data output latch register | 0x00 |
| 0x00 5015 | | PE_IDR | Port E input pin value register | 0xXX ⁽¹⁾ |
| 0x00 5016 | | PE_DDR | Port E data direction register | 0x00 |
| 0x00 5017 | | PE_CR1 | Port E control register 1 | 0x00 |
| 0x00 5018 | | PE_CR2 | Port E control register 2 | 0x00 |
| 0x00 5019 | Port F | PF_ODR | Port F data output latch register | 0x00 |
| 0x00 501A | | PF_IDR | Port F input pin value register | 0xXX ⁽¹⁾ |
| 0x00 501B | | PF_DDR | Port F data direction register | 0x00 |
| 0x00 501C | | PF_CR1 | Port F control register 1 | 0x00 |
| 0x00 501D | | PF_CR2 | Port F control register 2 | 0x00 |
| 0x00 501E | Port G | PG_ODR | Port G data output latch register | 0x00 |
| 0x00 501F | | PG_IDR | Port G input pin value register | 0xXX ⁽¹⁾ |
| 0x00 5020 | | PG_DDR | Port G data direction register | 0x00 |
| 0x00 5021 | | PG_CR1 | Port G control register 1 | 0x00 |
| 0x00 5022 | | PG_CR2 | Port G control register 2 | 0x00 |
| 0x00 5023 | Port H | PH_ODR | Port H data output latch register | 0x00 |
| 0x00 5024 | | PH_IDR | Port H input pin value register | 0xXX ⁽¹⁾ |
| 0x00 5025 | | PH_DDR | Port H data direction register | 0x00 |
| 0x00 5026 | | PH_CR1 | Port H control register 1 | 0x00 |
| 0x00 5027 | | PH_CR2 | Port H control register 2 | 0x00 |
| 0x00 5028 | Port I | PI_ODR | Port I data output latch register | 0x00 |
| 0x00 5029 | | PI_IDR | Port I input pin value register | 0xXX ⁽¹⁾ |
| 0x00 502A | | PI_DDR | Port I data direction register | 0x00 |
| 0x00 502B | | PI_CR1 | Port I control register 1 | 0x00 |
| 0x00 502C | | PI_CR2 | Port I control register 2 | 0x00 |

1. Depends on the external circuitry.

Table 8. General hardware register map

| Address | Block | Register label | Register name | Reset status |
|------------------------|-------------------------|----------------|--------------------------------------------------|---------------------|
| 0x00 5050 to 0x00 5059 | Reserved area (10 byte) | | | |
| 0x00 505A | Flash | FLASH_CR1 | Flash control register 1 | 0x00 |
| 0x00 505B | | FLASH_CR2 | Flash control register 2 | 0x00 |
| 0x00 505C | | FLASH_NCR2 | Flash complementary control register 2 | 0xFF |
| 0x00 505D | | FLASH_FPR | Flash protection register | 0x00 |
| 0x00 505E | | FLASH_NFPR | Flash complementary protection register | 0xFF |
| 0x00 505F | | FLASH_IAPSR | Flash in-application programming status register | 0x00 |
| 0x00 5060 to 0x00 5061 | Reserved area (2 byte) | | | |
| 0x00 5062 | Flash | FLASH_PUKR | Flash Program memory unprotection register | 0x00 |
| 0x00 5063 | Reserved area (1 byte) | | | |
| 0x00 5064 | Flash | FLASH_DUKR | Data EEPROM unprotection register | 0x00 |
| 0x00 5065 to 0x00 509F | Reserved area (59 byte) | | | |
| 0x00 50A0 | ITC | EXTI_CR1 | External interrupt control register 1 | 0x00 |
| 0x00 50A1 | | EXTI_CR2 | External interrupt control register 2 | 0x00 |
| 0x00 50A2 to 0x00 50B2 | Reserved area (17 byte) | | | |
| 0x00 50B3 | RST | RST_SR | Reset status register | 0xFF ⁽¹⁾ |
| 0x00 50B4 to 0x00 50BF | Reserved area (12 byte) | | | |
| 0x00 50C0 | CLK | CLK_ICKR | Internal clock control register | 0x01 |
| 0x00 50C1 | | CLK_ECKR | External clock control register | 0x00 |
| 0x00 50C2 | Reserved area (1 byte) | | | |
| 0x00 50C3 | CLK | CLK_CMSR | Clock master status register | 0xE1 |
| 0x00 50C4 | | CLK_SWR | Clock master switch register | 0xE1 |
| 0x00 50C5 | | CLK_SWCR | Clock switch control register | 0xFF |
| 0x00 50C6 | | CLK_CKDIVR | Clock divider register | 0x18 |
| 0x00 50C7 | | CLK_PCKENR1 | Peripheral clock gating register 1 | 0xFF |
| 0x00 50C8 | | CLK_CSSR | Clock security system register | 0x00 |
| 0x00 50C9 | | CLK_CCOR | Configurable clock control register | 0x00 |
| 0x00 50CA | | CLK_PCKENR2 | Peripheral clock gating register 2 | 0xFF |
| 0x00 50CB | Reserved area (1 byte) | | | |

Table 8. General hardware register map (continued)

| Address | Block | Register label | Register name | Reset status |
|---------------------------|-------------------------|----------------|--------------------------------------------|---------------------|
| 0x00 50CC | CLK | CLK_HSITRIMR | HSI clock calibration trimming register | 0x00 |
| 0x00 50CD | | CLK_SWIMCCR | SWIM clock control register | 0bXXXX XXX0 |
| 0x00 50CE to 0x00 50D0 | Reserved area (3 byte) | | | |
| 0x00 50D1 | WWDG | WWDG_CR | WWDG control register | 0x7F |
| 0x00 50D2 | | WWDG_WR | WWDR window register | 0x7F |
| 0x00 50D3 to 0x00 50DF | Reserved area (13 byte) | | | |
| 0x00 50E0 | IWDG | IWDG_KR | IWDG key register | 0xXX ⁽²⁾ |
| 0x00 50E1 | | IWDG_PR | IWDG prescaler register | 0x00 |
| 0x00 50E2 | | IWDG_RLR | IWDG reload register | 0xFF |
| 0x00 50E3 to 0x00 50EF | Reserved area (13 byte) | | | |
| 0x00 50F0 | AWU | AWU_CSR1 | AWU control/status register 1 | 0x00 |
| 0x00 50F1 | | AWU_APR | AWU asynchronous prescaler buffer register | 0x3F |
| 0x00 50F2 | | AWU_TBR | AWU timebase selection register | 0x00 |
| 0x00 50F3 | BEEP | BEEP_CSR | BEEP control/status register | 0x1F |
| 0x00 50F4 to 0x00 50FF | Reserved area (12 byte) | | | |
| 0x00 5200 | SPI | SPI_CR1 | SPI control register 1 | 0x00 |
| 0x00 5201 | | SPI_CR2 | SPI control register 2 | 0x00 |
| 0x00 5202 | | SPI_ICR | SPI interrupt control register | 0x00 |
| 0x00 5203 | | SPI_SR | SPI status register | 0x02 |
| 0x00 5204 | | SPI_DR | SPI data register | 0x00 |
| 0x00 5205 | | SPI_CRCPR | SPI CRC polynomial register | 0x07 |
| 0x00 5206 | | SPI_RXCR | SPI Rx CRC register | 0x00 |
| 0x00 5207 | | SPI_TXCR | SPI Tx CRC register | 0x00 |
| 0x00 5208 to 0x00 520F | Reserved area (8 byte) | | | |
| 0x00 5210 | I ² C | I2C_CR1 | I ² C control register 1 | 0x00 |
| 0x00 5211 | | I2C_CR2 | I ² C control register 2 | 0x00 |
| 0x00 5212 | | I2C_FREQR | I ² C frequency register | 0x00 |
| 0x00 5213 | | I2C_OARL | I ² C own address register low | 0x00 |
| 0x00 5214 | | I2C_OARH | I ² C own address register high | 0x00 |
| 0x00 5215 | | Reserved | | |

Table 8. General hardware register map (continued)

| Address | Block | Register label | Register name | Reset status |
|------------------------|-------------------------|----------------|-------------------------------------------------|--------------|
| 0x00 5216 | I ² C | I2C_DR | I ² C data register | 0x00 |
| 0x00 5217 | | I2C_SR1 | I ² C status register 1 | 0x00 |
| 0x00 5218 | | I2C_SR2 | I ² C status register 2 | 0x00 |
| 0x00 5219 | | I2C_SR3 | I ² C status register 3 | 0x00 |
| 0x00 521A | | I2C_ITR | I ² C interrupt control register | 0x00 |
| 0x00 521B | | I2C_CCRL | I ² C clock control register low | 0x00 |
| 0x00 521C | | I2C_CCRH | I ² C clock control register high | 0x00 |
| 0x00 521D | | I2C_TRISER | I ² C TRISE register | 0x02 |
| 0x00 521E | | I2C_PECR | I ² C packet error checking register | 0x00 |
| 0x00 521F to 0x00 522F | Reserved area (17 byte) | | | |
| 0x00 5230 to 0x00 523F | Reserved area (6 bytes) | | | |
| 0x00 5240 | UART2 | UART2_SR | UART2 status register | 0xC0 |
| 0x00 5241 | | UART2_DR | UART2 data register | 0xXX |
| 0x00 5242 | | UART2_BRR1 | UART2 baud rate register 1 | 0x00 |
| 0x00 5243 | | UART2_BRR2 | UART2 baud rate register 2 | 0x00 |
| 0x00 5244 | | UART2_CR1 | UART2 control register 1 | 0x00 |
| 0x00 5245 | | UART2_CR2 | UART2 control register 2 | 0x00 |
| 0x00 5246 | | UART2_CR3 | UART2 control register 3 | 0x00 |
| 0x00 5247 | | UART2_CR4 | UART2 control register 4 | 0x00 |
| 0x00 5248 | | UART2_CR5 | UART2 control register 5 | 0x00 |
| 0x00 5249 | | UART2_CR6 | UART2 control register 6 | 0x00 |
| 0x00 524A | | UART2_GTR | UART2 guard time register | 0x00 |
| 0x00 524B | | UART2_PSCR | UART2 prescaler register | 0x00 |
| 0x00 524C to 0x00 524F | Reserved area (4 bytes) | | | |

Table 8. General hardware register map (continued)

| Address | Block | Register label | Register name | Reset status |
|---------------------------|--------------------------|---------------------------------|----------------------------------------|--------------|
| 0x00 5250 | TIM1 | TIM1_CR1 | TIM1 control register 1 | 0x00 |
| 0x00 5251 | | TIM1_CR2 | TIM1 control register 2 | 0x00 |
| 0x00 5252 | | TIM1_SMCR | TIM1 slave mode control register | 0x00 |
| 0x00 5253 | | TIM1_ETR | TIM1 external trigger register | 0x00 |
| 0x00 5254 | | TIM1_IER | TIM1 Interrupt enable register | 0x00 |
| 0x00 5255 | | TIM1_SR1 | TIM1 status register 1 | 0x00 |
| 0x00 5256 | | TIM1_SR2 | TIM1 status register 2 | 0x00 |
| 0x00 5257 | | TIM1_EGR | TIM1 event generation register | 0x00 |
| 0x00 5258 | | TIM1_CCMR1 | TIM1 capture/compare mode register 1 | 0x00 |
| 0x00 5259 | | TIM1_CCMR2 | TIM1 capture/compare mode register 2 | 0x00 |
| 0x00 525A | | TIM1_CCMR3 | TIM1 capture/compare mode register 3 | 0x00 |
| 0x00 525B | | TIM1_CCMR4 | TIM1 capture/compare mode register 4 | 0x00 |
| 0x00 525C | | TIM1_CCER1 | TIM1 capture/compare enable register 1 | 0x00 |
| 0x00 525D | | TIM1_CCER2 | TIM1 capture/compare enable register 2 | 0x00 |
| 0x00 525E | | TIM1_CNTRH | TIM1 counter high | 0x00 |
| 0x00 525F | | TIM1_CNTRL | TIM1 counter low | 0x00 |
| 0x00 5260 | | TIM1_PSCRH | TIM1 prescaler register high | 0x00 |
| 0x00 5261 | | TIM1_PSCRL | TIM1 prescaler register low | 0x00 |
| 0x00 5262 | | TIM1_ARRH | TIM1 auto-reload register high | 0xFF |
| 0x00 5263 | | TIM1_ARRL | TIM1 auto-reload register low | 0xFF |
| 0x00 5264 | | TIM1_RCR | TIM1 repetition counter register | 0x00 |
| 0x00 5265 | | TIM1_CCR1H | TIM1 capture/compare register 1 high | 0x00 |
| 0x00 5266 | | TIM1_CCR1L | TIM1 capture/compare register 1 low | 0x00 |
| 0x00 5267 | | TIM1_CCR2H | TIM1 capture/compare register 2 high | 0x00 |
| 0x00 5268 | | TIM1_CCR2L | TIM1 capture/compare register 2 low | 0x00 |
| 0x00 5269 | | TIM1_CCR3H | TIM1 capture/compare register 3 high | 0x00 |
| 0x00 526A | | TIM1_CCR3L | TIM1 capture/compare register 3 low | 0x00 |
| 0x00 526B | | TIM1_CCR4H | TIM1 capture/compare register 4 high | 0x00 |
| 0x00 526C | | TIM1_CCR4L | TIM1 capture/compare register 4 low | 0x00 |
| 0x00 526D | | TIM1_BKR | TIM1 break register | 0x00 |
| 0x00 526E | TIM1_DTR | TIM1 dead-time register | 0x00 | |
| 0x00 526F | TIM1_OISR | TIM1 output idle state register | 0x00 | |
| 0x00 5270 to 0x00 52FF | Reserved area (147 byte) | | | |

Table 8. General hardware register map (continued)

| Address | Block | Register label | Register name | Reset status |
|------------------------|-------------------------|-------------------------------------|----------------------------------------|--------------|
| 0x00 5300 | TIM2 | TIM2_CR1 | TIM2 control register 1 | 0x00 |
| 0x00 5301 | | TIM2_IER | TIM2 interrupt enable register | 0x00 |
| 0x00 5302 | | TIM2_SR1 | TIM2 status register 1 | 0x00 |
| 0x00 5303 | | TIM2_SR2 | TIM2 status register 2 | 0x00 |
| 0x00 5304 | | TIM2_EGR | TIM2 event generation register | 0x00 |
| 0x00 5305 | | TIM2_CCMR1 | TIM2 capture/compare mode register 1 | 0x00 |
| 0x00 5306 | | TIM2_CCMR2 | TIM2 capture/compare mode register 2 | 0x00 |
| 0x00 5307 | | TIM2_CCMR3 | TIM2 capture/compare mode register 3 | 0x00 |
| 0x00 5308 | | TIM2_CCER1 | TIM2 capture/compare enable register 1 | 0x00 |
| 0x00 5309 | | TIM2_CCER2 | TIM2 capture/compare enable register 2 | 0x00 |
| 0x00 530A | | TIM2_CNTRH | TIM2 counter high | 0x00 |
| 0x00 530B | | TIM2_CNTRL | TIM2 counter low | 0x00 |
| 0x00 530C | | TIM2_PSCR | TIM2 prescaler register | 0x00 |
| 0x00 530D | | TIM2_ARRH | TIM2 auto-reload register high | 0xFF |
| 0x00 530E | | TIM2_ARRL | TIM2 auto-reload register low | 0xFF |
| 0x00 530F | | TIM2_CCR1H | TIM2 capture/compare register 1 high | 0x00 |
| 0x00 5310 | | TIM2_CCR1L | TIM2 capture/compare register 1 low | 0x00 |
| 0x00 5311 | | TIM2_CCR2H | TIM2 capture/compare reg. 2 high | 0x00 |
| 0x00 5312 | | TIM2_CCR2L | TIM2 capture/compare register 2 low | 0x00 |
| 0x00 5313 | | TIM2_CCR3H | TIM2 capture/compare register 3 high | 0x00 |
| 0x00 5314 | TIM2_CCR3L | TIM2 capture/compare register 3 low | 0x00 | |
| 0x00 5315 to 0x00 531F | Reserved area (11 byte) | | | |
| 0x00 5320 | TIM3 | TIM3_CR1 | TIM3 control register 1 | 0x00 |
| 0x00 5321 | | TIM3_IER | TIM3 interrupt enable register | 0x00 |
| 0x00 5322 | | TIM3_SR1 | TIM3 status register 1 | 0x00 |
| 0x00 5323 | | TIM3_SR2 | TIM3 status register 2 | 0x00 |
| 0x00 5324 | | TIM3_EGR | TIM3 event generation register | 0x00 |
| 0x00 5325 | | TIM3_CCMR1 | TIM3 capture/compare mode register 1 | 0x00 |
| 0x00 5326 | | TIM3_CCMR2 | TIM3 capture/compare mode register 2 | 0x00 |
| 0x00 5327 | | TIM3_CCER1 | TIM3 capture/compare enable register 1 | 0x00 |
| 0x00 5328 | | TIM3_CNTRH | TIM3 counter high | 0x00 |
| 0x00 5329 | | TIM3_CNTRL | TIM3 counter low | 0x00 |
| 0x00 532A | | TIM3_PSCR | TIM3 prescaler register | 0x00 |

Table 8. General hardware register map (continued)

| Address | Block | Register label | Register name | Reset status |
|------------------------|---------------------------|--------------------------|-------------------------------------------|--------------|
| 0x00 532B | TIM3 | TIM3_ARRH | TIM3 auto-reload register high | 0xFF |
| 0x00 532C | | TIM3_ARRL | TIM3 auto-reload register low | 0xFF |
| 0x00 532D | | TIM3_CCR1H | TIM3 capture/compare register 1 high | 0x00 |
| 0x00 532E | | TIM3_CCR1L | TIM3 capture/compare register 1 low | 0x00 |
| 0x00 532F | | TIM3_CCR2H | TIM3 capture/compare register 2 high | 0x00 |
| 0x00 5330 | | TIM3_CCR2L | TIM3 capture/compare register 2 low | 0x00 |
| 0x00 5331 to 0x00 533F | | Reserved area (15 bytes) | | |
| 0x00 5340 | TIM4 | TIM4_CR1 | TIM4 control register 1 | 0x00 |
| 0x00 5341 | | TIM4_IER | TIM4 interrupt enable register | 0x00 |
| 0x00 5342 | | TIM4_SR | TIM4 status register | 0x00 |
| 0x00 5343 | | TIM4_EGR | TIM4 event generation register | 0x00 |
| 0x00 5344 | | TIM4_CNTR | TIM4 counter | 0x00 |
| 0x00 5345 | | TIM4_PSCR | TIM4 prescaler register | 0x00 |
| 0x00 5346 | | TIM4_ARR | TIM4 auto-reload register | 0xFF |
| 0x00 5347 to 0x00 53FF | Reserved area (185 byte) | | | |
| 0x00 5400 | ADC1 | ADC_CSR | ADC control/status register | 0x00 |
| 0x00 5401 | | ADC_CR1 | ADC configuration register 1 | 0x00 |
| 0x00 5402 | | ADC_CR2 | ADC configuration register 2 | 0x00 |
| 0x00 5403 | | ADC_CR3 | ADC configuration register 3 | 0x00 |
| 0x00 5404 | | ADC_DRH | ADC data register high | 0xFF |
| 0x00 5405 | | ADC_DRL | ADC data register low | 0xFF |
| 0x00 5406 | | ADC_TDRH | ADC Schmitt trigger disable register high | 0x00 |
| 0x00 5407 | | ADC_TDRL | ADC Schmitt trigger disable register low | 0x00 |
| 0x00 5408 | | ADC_HTRH | ADC high threshold register high | 0x03 |
| 0x00 5409 | | ADC_HTRL | ADC high threshold register low | 0xFF |
| 0x00 540A | | ADC_LTRH | ADC low threshold register high | 0x00 |
| 0x00 540B | | ADC_LTRL | ADC low threshold register low | 0x00 |
| 0x00 540C | | ADC_AWSRH | ADC analog watchdog status register high | 0x00 |
| 0x00 540D | | ADC_AWSRL | ADC analog watchdog status register low | 0x00 |
| 0x00 540E | | ADC_AWCRH | ADC analog watchdog control register high | 0x00 |
| 0x00 540F | | ADC_AWCRL | ADC analog watchdog control register low | 0x00 |
| 0x00 5410 to 0x00 57FF | Reserved area (1008 byte) | | | |

1. Depends on the previous reset source.
2. Write only register.

Table 9. CPU/SWIM/debug module/interrupt controller registers

| Address | Block | Register Label | Register Name | Reset Status |
|------------------------|-------------------------|-------------------------|----------------------------------------|--------------|
| 0x00 7F00 | CPU ⁽¹⁾ | A | Accumulator | 0x00 |
| 0x00 7F01 | | PCE | Program counter extended | 0x00 |
| 0x00 7F02 | | PCH | Program counter high | 0x00 |
| 0x00 7F03 | | PCL | Program counter low | 0x00 |
| 0x00 7F04 | | XH | X index register high | 0x00 |
| 0x00 7F05 | | XL | X index register low | 0x00 |
| 0x00 7F06 | | YH | Y index register high | 0x00 |
| 0x00 7F07 | | YL | Y index register low | 0x00 |
| 0x00 7F08 | | SPH | Stack pointer high | 0x03 |
| 0x00 7F09 | | SPL | Stack pointer low | 0xFF |
| 0x00 7F0A | | CCR | Condition code register | 0x28 |
| 0x00 7F0B to 0x00 7F5F | | Reserved area (85 byte) | | |
| 0x00 7F60 | CPU | CFG_GCR | Global configuration register | 0x00 |
| 0x00 7F70 | ITC | ITC_SPR1 | Interrupt software priority register 1 | 0xFF |
| 0x00 7F71 | | ITC_SPR2 | Interrupt software priority register 2 | 0xFF |
| 0x00 7F72 | | ITC_SPR3 | Interrupt software priority register 3 | 0xFF |
| 0x00 7F73 | | ITC_SPR4 | Interrupt software priority register 4 | 0xFF |
| 0x00 7F74 | | ITC_SPR5 | Interrupt software priority register 5 | 0xFF |
| 0x00 7F75 | | ITC_SPR6 | Interrupt software priority register 6 | 0xFF |
| 0x00 7F76 | | ITC_SPR7 | Interrupt software priority register 7 | 0xFF |
| 0x00 7F77 | | ITC_SPR8 | Interrupt software priority register 8 | 0xFF |
| 0x00 7F78 to 0x00 7F79 | Reserved area (2 byte) | | | |
| 0x00 7F80 | SWIM | SWIM_CSR | SWIM control status register | 0x00 |
| 0x00 7F81 to 0x00 7F8F | Reserved area (15 byte) | | | |

Table 9. CPU/SWIM/debug module/interrupt controller registers (continued)

| Address | Block | Register Label | Register Name | Reset Status |
|---------------------------|-------|------------------------|-------------------------------------------|--------------|
| 0x00 7F90 | DM | DM_BK1RE | DM breakpoint 1 register extended byte | 0xFF |
| 0x00 7F91 | | DM_BK1RH | DM breakpoint 1 register high byte | 0xFF |
| 0x00 7F92 | | DM_BK1RL | DM breakpoint 1 register low byte | 0xFF |
| 0x00 7F93 | | DM_BK2RE | DM breakpoint 2 register extended byte | 0xFF |
| 0x00 7F94 | | DM_BK2RH | DM breakpoint 2 register high byte | 0xFF |
| 0x00 7F95 | | DM_BK2RL | DM breakpoint 2 register low byte | 0xFF |
| 0x00 7F96 | | DM_CR1 | DM debug module control register 1 | 0x00 |
| 0x00 7F97 | | DM_CR2 | DM debug module control register 2 | 0x00 |
| 0x00 7F98 | | DM_CSR1 | DM debug module control/status register 1 | 0x10 |
| 0x00 7F99 | | DM_CSR2 | DM debug module control/status register 2 | 0x00 |
| 0x00 7F9A | | DM_ENFCTR | DM enable function register | 0xFF |
| 0x00 7F9B to 0x00 7F9F | | Reserved area (5 byte) | | |

1. Accessible by debug module only

7 Interrupt vector mapping

Table 10. Interrupt mapping

| IRQ no. | Source block | Description | Wakeup from Halt mode | Wakeup from Active-halt mode | Vector address |
|----------|------------------|-----------------------------------------------------|-----------------------|------------------------------|---------------------------|
| - | RESET | Reset | Yes | Yes | 0x00 8000 |
| - | TRAP | Software interrupt | - | - | 0x00 8004 |
| 0 | TLI | External top level interrupt | - | - | 0x00 8008 |
| 1 | AWU | Auto wake up from halt | - | Yes | 0x00 800C |
| 2 | CLK | Clock controller | - | - | 0x00 8010 |
| 3 | EXTI0 | Port A external interrupts | Yes ⁽¹⁾ | Yes ⁽¹⁾ | 0x00 8014 |
| 4 | EXTI1 | Port B external interrupts | Yes | Yes | 0x00 8018 |
| 5 | EXTI2 | Port C external interrupts | Yes | Yes | 0x00 801C |
| 6 | EXTI3 | Port D external interrupts | Yes | Yes | 0x00 8020 |
| 7 | EXTI4 | Port E external interrupts | Yes | Yes | 0x00 8024 |
| 8 | - | Reserved | | | 0x00 8028 |
| 9 | - | Reserved | | | 0x00 802C |
| 10 | SPI | End of transfer | Yes | Yes | 0x00 8030 |
| 11 | TIM1 | TIM1 update/overflow/underflow/ trigger/break | - | - | 0x00 8034 |
| 12 | TIM1 | TIM1 capture/compare | - | - | 0x00 8038 |
| 13 | TIM2 | TIM2 update /overflow | - | - | 0x00 803C |
| 14 | TIM2 | TIM2 capture/compare | - | - | 0x00 8040 |
| 15 | TIM3 | Update/overflow | - | - | 0x00 8044 |
| 16 | TIM3 | Capture/compare | - | - | 0x00 8048 |
| 17 | - | Reserved | - | - | 0x00 804C |
| 18 | - | Reserved | - | - | 0x00 8050 |
| 19 | I ² C | I ² C interrupt | Yes | Yes | 0x00 8054 |
| 20 | UART2 | Tx complete | - | - | 0x00 8058 |
| 21 | UART2 | Receive register DATA FULL | - | - | 0x00 805C |
| 22 | ADC1 | ADC1 end of conversion/analog watchdog interrupt | - | - | 0x00 8060 |
| 23 | TIM4 | TIM4 update/overflow | - | - | 0x00 8064 |
| 24 | Flash | EOP/WR_PG_DIS | - | - | 0x00 8068 |
| Reserved | | | | | 0x00 806C to 0x00 807C |

1. Except PA1

8 Option bytes

Option bytes contain configurations for device hardware features as well as the memory protection of the device. They are stored in a dedicated block of the memory. Except for the ROP (read-out protection) byte, each option byte has to be stored twice, in a regular form (OPTx) and a complemented one (NOPTx) for redundancy.

Option bytes can be modified in ICP mode (via SWIM) by accessing the EEPROM address shown in [Table 11: Option bytes](#) below. Option bytes can also be modified 'on the fly' by the application in IAP mode, except the ROP option that can only be modified in ICP mode (via SWIM).

Refer to the STM8S Flash programming manual (PM0051) and STM8 SWIM communication protocol and debug module user manual (UM0470) for information on SWIM programming procedures.

Table 11. Option bytes

| Addr. | Option name | Option byte no. | Option bits | | | | | | | | Factory default setting |
|--------|------------------------------------|-----------------|--------------|-------|-------|-----------|----------|------------|----------|------------|-------------------------|
| | | | 7 | 6 | 5 | 4 | 3 | 2 | 1 | 0 | |
| 0x4800 | Read-out protection (ROP) | OPT0 | ROP[7:0] | | | | | | | | 0x00 |
| 0x4801 | User boot code (UBC) | OPT1 | UBC[7:0] | | | | | | | | 0x00 |
| 0x4802 | | NOPT1 | NUBC[7:0] | | | | | | | | 0xFF |
| 0x4803 | Alternate function remapping (AFR) | OPT2 | AFR7 | AFR6 | AFR5 | AFR4 | AFR3 | AFR2 | AFR1 | AFR0 | 0x00 |
| 0x4804 | | NOPT2 | NAFR7 | NAFR6 | NAFR5 | NAFR4 | NAFR3 | NAFR2 | NAFR1 | NAFR0 | 0xFF |
| 0x4805 | Misc. option | OPT3 | Reserved | | | HSITRIM | LSI_EN | IWDG_HW | WWDG_HW | WWDG_HALT | 0x00 |
| 0x4806 | | NOPT3 | Reserved | | | NHSI TRIM | NLSI_EN | NIWDG_HW | NWWDG_HW | NWWDG_HALT | 0xFF |
| 0x4807 | Clock option | OPT4 | Reserved | | | | EXT CLK | CKAWU SEL | PRS C1 | PRS C0 | 0x00 |
| 0x4808 | | NOPT4 | Reserved | | | | NEXT CLK | NCKAW USEL | NPR SC1 | NPR SC0 | 0xFF |
| 0x4809 | HSE clock startup | OPT5 | HSECNT[7:0] | | | | | | | | 0x00 |
| 0x480A | | NOPT5 | NHSECNT[7:0] | | | | | | | | 0xFF |
| 0x480B | Reserved | OPT6 | Reserved | | | | | | | | 0x00 |
| 0x480C | | NOPT6 | Reserved | | | | | | | | 0xFF |
| 0x480D | Flash wait states | OPT7 | Reserved | | | | | | | | 0x00 |
| 0x480E | | NOPT7 | Reserved | | | | | | | | 0xFF |
| 0x487E | Bootloader | OPTBL | BL[7:0] | | | | | | | | 0x00 |
| 0x487F | | NOPTBL | NBL[7:0] | | | | | | | | 0xFF |

Table 12. Option byte description

| Option byte no. | Description |
|-----------------|------------------------------------------------------------------------------------------------------------------------------------------------------------------------------------------------------------------------------------------------------------------------------------------------------------------------------------------------------------------------------------------------------------------------------------------------------------------------------------------------------------------------------------------------------------------------------------------------------------------------------------------------------------------------------------------------------------------------------------------------------------------------------------------------------------------------------------------------------------------------------------------------------------------------------------------------------------------------------------------------------------------------------------------------------------------------------------|
| OPT0 | <p>ROP[7:0] <i>Memory readout protection (ROP)</i> 0xAA: Enable readout protection (write access via SWIM protocol) <i>Note: Refer to the family reference manual (RM0016) section on Flash/EEPROM memory readout protection for details.</i></p> |
| OPT1 | <p>UBC[7:0] <i>User boot code area</i> 0x00: no UBC, no write-protection 0x01: Pages 0 to 1 defined as UBC, memory write-protected 0x02: Pages 0 to 3 defined as UBC, memory write-protected 0x03: Pages 0 to 4 defined as UBC, memory write-protected ... 0xFE: Pages 0 to 255 defined as UBC, memory write-protected 0xFF: Reserved <i>Note: Refer to the family reference manual (RM0016) section on Flash/EEPROM write protection for more details.</i></p> |
| OPT2 | <p>AFR[7:0] Refer to Table 13: Description of alternate function remapping bits [7:0] of OPT2</p> |
| OPT3 | <p>HSITRIM: <i>high-speed internal clock trimming register size</i> 0: 3-bit trimming supported in CLK_HSITRIMR register 1: 4-bit trimming supported in CLK_HSITRIMR register</p> <p>LSI_EN: <i>Low speed internal clock enable</i> 0: LSI clock is not available as CPU clock source 1: LSI clock is available as CPU clock source</p> <p>IWDG_HW: <i>Independent watchdog</i> 0: IWDG Independent watchdog activated by software 1: IWDG Independent watchdog activated by hardware</p> <p>WWDG_HW: <i>Window watchdog activation</i> 0: WWDG window watchdog activated by software 1: WWDG window watchdog activated by hardware</p> <p>WWDG_HALT: <i>Window watchdog reset on halt</i> 0: No reset generated on halt if WWDG active 1: Reset generated on halt if WWDG active</p> |
| OPT4 | <p>EXTCLK: <i>External clock selection</i> 0: External crystal connected to OSCIN/OSCOU 1: External clock signal on OSCIN</p> <p>CKAWUSEL: <i>Auto wakeup unit/clock</i> 0: LSI clock source selected for AWU 1: HSE clock with prescaler selected as clock source for for AWU</p> <p>PRSC[1:0] <i>AWU clock prescaler</i> 0x: 16 MHz to 128 kHz prescaler 10: 8 MHz to 128 kHz prescaler 11: 4 MHz to 128 kHz prescaler</p> |

Table 12. Option byte description (continued)

| Option byte no. | Description |
|-----------------|--------------------------------------------------------------------------------------------------------------------------------------------------------------------------------------------------------------------------------------------------------------------------------------------------------------------------------------------------------------------------------------------------------------------------------------------------------------------------------------------------------------------------------------------------------------------------------------------------------------------------|
| OPT5 | <p>HSECNT[7:0]: HSE crystal oscillator stabilization time This configures the stabilization time. 0x00: 2048 HSE cycles 0xB4: 128 HSE cycles 0xD2: 8 HSE cycles 0xE1: 0.5 HSE cycles</p> |
| OPT6 | Reserved |
| OPT7 | Reserved |
| OPTBL | <p>BL[7:0] Bootloader option byte For STM8S products, this option is checked by the boot ROM code after reset. Depending on the content of addresses 0x487E, 0x487F, and 0x8000 (reset vector), the CPU jumps to the bootloader or to the reset vector. Refer to the UM0560 (STM8L/S bootloader manual) for more details. For STM8L products, the bootloader option bytes are on addresses 0XXXX and 0XXXX+1 (2 bytes). These option bytes control whether the bootloader is active or not. For more details, refer to the UM0560 (STM8L/S bootloader manual) for more details.</p> |

Table 13. Description of alternate function remapping bits [7:0] of OPT2

| Option byte number | Description ⁽¹⁾ |
|--------------------|-------------------------------------------------------------------------------------------------------------------------------------------------------------------------------------------------------------------------------------------------------------------------------------------------------------------------------------------------------------------------------------------------------------------------------------------------------------------------------------------------------------------------------------------------------------------------------------------------------------------------------------------------------------------------------------------------------------------------------------------------------------------------------------------------------------------------------------------------------------------------------------------------------------------------------------------------------------------------------------------------------------------------------------------------------------------------------------------------------------------------------------------------------------------------------------------------------------------------------------------------------------------------------------------------------------------------------------------------------------------------------------------------------------------------------------------------------------------------------------------------------------------------------------------------------------------------------------------------------------------------------------------------------------------------------------------------------------------------------------------------------------------------------------------------------------------------------------------------------------------------------------------------------------------------------------------------------------------------------------------------------------------------------------------------------------------------------------------------------------------------------------------------------------------------------------------------------------------------------------|
| OPT2 | <p>AFR7 <i>Alternate function remapping option 7</i> 0: AFR7 remapping option inactive: default alternate function⁽²⁾ 1: Port D4 alternate function = BEEP</p> <p>AFR6 <i>Alternate function remapping option 6</i> 0: AFR6 remapping option inactive: default alternate function⁽²⁾ 1: Port B5 alternate function = I²C_SDA; port B4 alternate function = I²C_SCL</p> <p>AFR5 <i>Alternate function remapping option 5</i> 0: AFR5 remapping option inactive: default alternate function⁽²⁾ 1: Port B3 alternate function = TIM1_ETR, port B2 alternate function = TIM1_CH3N, port B1 alternate function = TIM1_CH2N, port B0 alternate function = TIM1_CH1N</p> <p>AFR4 <i>Alternate function remapping option 4</i> 0: AFR4 remapping option inactive: default alternate function⁽²⁾ 1: Port D alternate function = TIM1_CH4</p> <p>AFR3 <i>Alternate function remapping option 3</i> 0: AFR3 remapping option inactive: default alternate function⁽²⁾ 1: Port D0 alternate function = TIM1_BKIN</p> <p>AFR2 <i>Alternate function remapping option 2</i> 0: AFR2 remapping option inactive: default alternate function⁽²⁾ 1: Port D0 alternate function = CLK_CCO Note: AFR2 option has priority over AFR3 if both are activated</p> <p>AFR1 <i>Alternate function remapping option 1</i> 0: AFR1 remapping option inactive: default alternate function⁽²⁾ 1: Port A3 alternate function = TIM3_CH1; port D2 alternate function = TIM2_CH3</p> <p>AFR0 <i>Alternate function remapping option 0</i> 0: AFR0 remapping option inactive: default alternate function⁽²⁾ 1: Port D3 alternate function = ADC_ETR</p> |

1. Do not use more than one remapping option in the same port.
2. Refer to the pinout description.

9 Electrical characteristics

9.1 Parameter conditions

Unless otherwise specified, all voltages are referred to V_{SS} .

9.1.1 Minimum and maximum values

Unless otherwise specified the minimum and maximum values are guaranteed in the worst conditions of ambient temperature, supply voltage and frequencies by tests in production on 100% of the devices with an ambient temperature at $T_A = 25\text{ °C}$ and $T_A = T_{Amax}$ (given by the selected temperature range).

Data based on characterization results, design simulation and/or technology characteristics are indicated in the table footnotes and are not tested in production. Based on characterization, the minimum and maximum values refer to sample tests and represent the mean value plus or minus three times the standard deviation (mean $\pm 3\sigma$).

9.1.2 Typical values

Unless otherwise specified, typical data are based on $T_A = 25\text{ °C}$, $V_{DD} = 5\text{ V}$. They are given only as design guidelines and are not tested.

Typical ADC accuracy values are determined by characterization of a batch of samples from a standard diffusion lot over the full temperature range, where 95% of the devices have an error less than or equal to the value indicated (mean $\pm 2\sigma$).

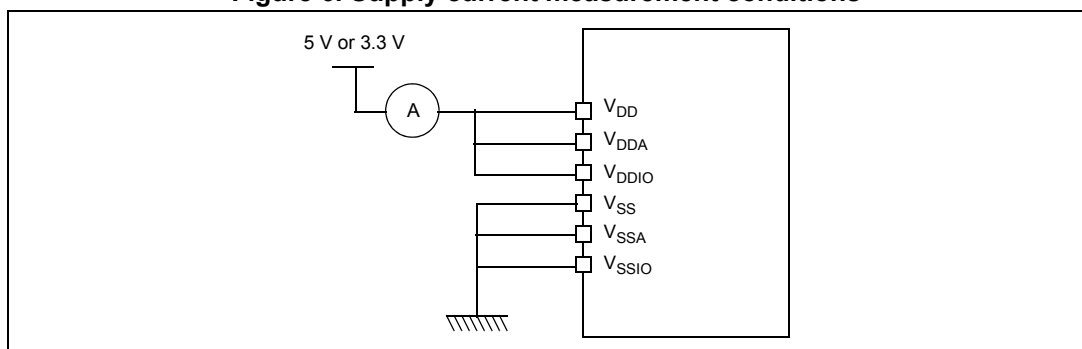
9.1.3 Typical curves

Unless otherwise specified, all typical curves are given only as design guidelines and are not tested.

9.1.4 Typical current consumption

For typical current consumption measurements, V_{DD} , V_{DDIO} and V_{DDA} are connected together in the configuration shown in [Figure 6](#).

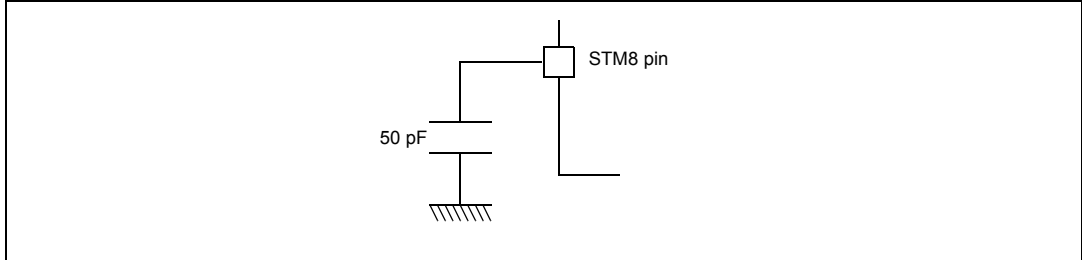
Figure 6. Supply current measurement conditions



9.1.5 Loading capacitor

The loading conditions used for pin parameter measurement are shown in [Figure 7](#).

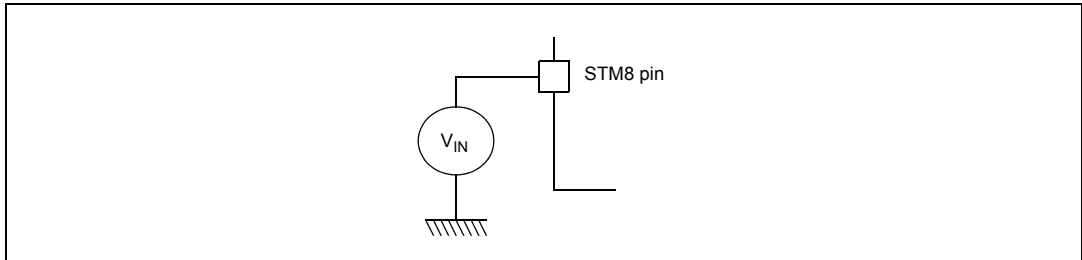
Figure 7. Pin loading conditions



9.1.6 Pin input voltage

The input voltage measurement on a pin of the device is described in [Figure 8](#).

Figure 8. Pin input voltage



9.2 Absolute maximum ratings

Stresses above the absolute maximum ratings listed in [Table 14: Voltage characteristics](#), [Table 15: Current characteristics](#) and [Table 16: Thermal characteristics](#) may cause permanent damage to the device. These are stress ratings only and functional operation of the device at these conditions is not implied. Exposure to maximum rating conditions for extended periods may affect the device’s reliability.

The device’s mission profile (application conditions) is compliant with JEDEC JESD47 Qualification Standard, extended mission profiles are available on demand.

Table 14. Voltage characteristics

| Symbol | Ratings | Min | Max | Unit |
|----------------------|---------------------------------------------------------------------|----------------------------------------------------------------------------------|----------------|------|
| $V_{DDx} - V_{SS}$ | Supply voltage (including V_{DDA} and V_{DDIO}) ⁽¹⁾ | -0.3 | 6.5 | V |
| V_{IN} | Input voltage on true open drain pins (PE1, PE2) ⁽²⁾ | $V_{SS} - 0.3$ | 6.5 | |
| | Input voltage on any other pin ⁽²⁾ | $V_{SS} - 0.3$ | $V_{DD} + 0.3$ | |
| $ V_{DDx} - V_{DD} $ | Variations between different power pins | - | 50 | mV |
| $ V_{SSx} - V_{SS} $ | Variations between all the different ground pins | - | 50 | |
| V_{ESD} | Electrostatic discharge voltage | see Absolute maximum ratings (electrical sensitivity) on page 85 | | - |

1. All power (V_{DD} , V_{DDIO} , V_{DDA}) and ground (V_{SS} , V_{SSIO} , V_{SSA}) pins must always be connected to the external power supply
2. $I_{INJ(PIN)}$ must never be exceeded. This is implicitly insured if V_{IN} maximum is respected. If V_{IN} maximum cannot be respected, the injection current must be limited externally to the $I_{INJ(PIN)}$ value. A positive injection is induced by $V_{IN} > V_{DD}$ while a negative injection is induced by $V_{IN} < V_{SS}$. For true open-drain pads, there is no positive injection current, and the corresponding V_{IN} maximum must always be respected

Table 15. Current characteristics

| Symbol | Ratings | Max. ⁽¹⁾ | Unit |
|-----------------------------|--------------------------------------------------------------------------------------------------------------------|---------------------|------|
| I_{VDD} | Total current into V_{DD} power lines (source) ⁽²⁾ | 60 | mA |
| I_{VSS} | Total current out of V_{SS} ground lines (sink) ⁽²⁾ | 60 | |
| I_{IO} | Output current sunk by any I/O and control pin | 20 | |
| | Output current source by any I/Os and control pin | 20 | |
| ΣI_{IO} | Total output current sourced (sum of all I/O and control pins) for devices with two V_{DDIO} pins ⁽³⁾ | 200 | |
| | Total output current sourced (sum of all I/O and control pins) for devices with one V_{DDIO} pin ⁽³⁾ | 100 | |
| | Total output current sunk (sum of all I/O and control pins) for devices with two V_{SSIO} pins ⁽³⁾ | 160 | |
| | Total output current sunk (sum of all I/O and control pins) for devices with one V_{SSIO} pin ⁽³⁾ | 80 | |
| $I_{INJ(PIN)}^{(4)(5)}$ | Injected current on NRST pin | ± 4 | |
| | Injected current on OSCIN pin | ± 4 | |
| | Injected current on any other pin ⁽⁶⁾ | ± 4 | |
| $\Sigma I_{INJ(PIN)}^{(4)}$ | Total injected current (sum of all I/O and control pins) ⁽⁶⁾ | ± 20 | |

- Guaranteed by characterization results.
- All power (V_{DD} , V_{DDIO} , V_{DDA}) and ground (V_{SS} , V_{SSIO} , V_{SSA}) pins must always be connected to the external supply.
- I/O pins used simultaneously for high current source/sink must be uniformly spaced around the package between the V_{DDIO}/V_{SSIO} pins.
- $I_{INJ(PIN)}$ must never be exceeded. This is implicitly insured if V_{IN} maximum is respected. If V_{IN} maximum cannot be respected, the injection current must be limited externally to the $I_{INJ(PIN)}$ value. A positive injection is induced by $V_{IN} > V_{DD}$ while a negative injection is induced by $V_{IN} < V_{SS}$. For true open-drain pads, there is no positive injection current, and the corresponding V_{IN} maximum must always be respected.
- Negative injection disturbs the analog performance of the device. See note in [Section 9.3.10: 10-bit ADC characteristics on page 80](#).
- When several inputs are submitted to a current injection, the maximum $\Sigma I_{INJ(PIN)}$ is the absolute sum of the positive and negative injected currents (instantaneous values). These results are based on characterization with $\Sigma I_{INJ(PIN)}$ maximum current injection on four I/O port pins of the device.

Table 16. Thermal characteristics

| Symbol | Ratings | Value | Unit |
|-----------|------------------------------|------------|------|
| T_{STG} | Storage temperature range | -65 to 150 | °C |
| T_J | Maximum junction temperature | 150 | |

9.3 Operating conditions

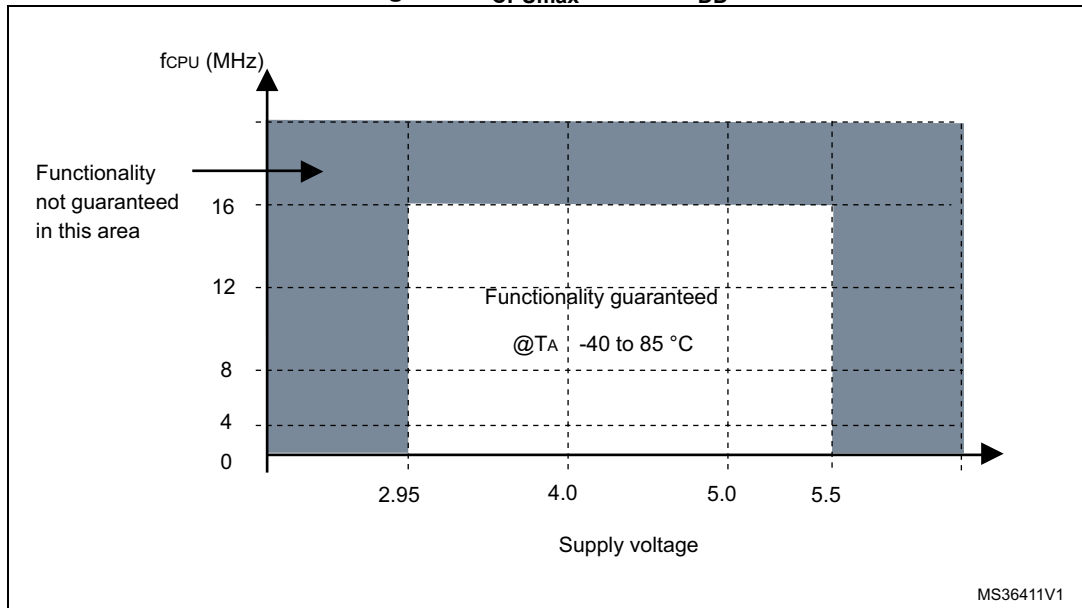
The device must be used in operating conditions that respect the parameters in [Table 17](#). In addition, full account must be taken of all physical capacitor characteristics and tolerances.

Table 17. General operating conditions

| Symbol | Parameter | Conditions | Min | Max | Unit |
|-----------------------------------|-----------------------------------------------------------------------|---------------------------------------------------------------------------------------------------------------------------------|------|------|------|
| f_{CPU} | Internal CPU clock frequency | - | 0 | 16 | MHz |
| $V_{\text{DD}}/V_{\text{DD_IO}}$ | Standard operating voltage | - | 2.95 | 5.5 | V |
| $V_{\text{CAP}}^{(1)}$ | C_{EXT} : capacitance of external capacitor | - | 470 | 3300 | nF |
| | ESR of external capacitor | At 1 MHz ⁽²⁾ | - | 0.3 | ohm |
| | ESL of external capacitor | | - | 15 | nH |
| $P_{\text{D}}^{(3)}$ | Power dissipation at $T_{\text{A}} = 85^{\circ}\text{C}$ for suffix 6 | 48-pin devices, with output on eight standard ports, two high sink ports and two open drain ports simultaneously ⁽⁴⁾ | - | 443 | mW |
| | | 32-pin devices, with output on eight standard ports and two high sink ports simultaneously ⁽⁴⁾ | - | 360 | mW |
| T_{A} | Ambient temperature for 6 suffix version | Maximum power dissipation | -40 | 85 | °C |
| T_{J} | Junction temperature range for 6 suffix version | - | -40 | 105 | |

- Care should be taken when selecting the capacitor, due to its tolerance, as well as the parameter dependency on temperature, DC bias and frequency in addition to other factors. The parameter maximum values must be respected for the full application range.
- This frequency of 1 MHz as a condition for V_{CAP} parameters is given by the design of the internal regulator.
- To calculate $P_{\text{Dmax}}(T_{\text{A}})$, use the formula $P_{\text{Dmax}} = (T_{\text{Jmax}} - T_{\text{A}})/\Theta_{\text{JA}}$ (see [Section 10.3: Thermal characteristics on page 93](#)) with the value for T_{Jmax} given in [Table 17](#) above and the value for Θ_{JA} given in [Table 52: Thermal characteristics](#).
- Refer to [Section 10.3: Thermal characteristics on page 93](#) for the calculation method.

Figure 9. f_{CPUmax} versus V_{DD}



MS36411V1

Table 18. Operating conditions at power-up/power-down

| Symbol | Parameter | Conditions | Min | Typ | Max | Unit |
|----------------|-----------------------------------------|-----------------|------------------|------|--------------------|-----------|
| t_{VDD} | V_{DD} rise time rate | - | 2 ⁽¹⁾ | - | ∞ | $\mu s/V$ |
| | V_{DD} fall time rate | - | 2 ⁽¹⁾ | - | ∞ | |
| t_{TEMP} | Reset release delay | V_{DD} rising | - | - | 1.7 ⁽¹⁾ | ms |
| V_{IT+} | Power-on reset threshold ⁽²⁾ | - | 2.65 | 2.8 | 2.95 | V |
| V_{IT-} | Brown-out reset threshold | - | 2.58 | 2.73 | 2.88 | V |
| $V_{HYS(BOR)}$ | Brown-out reset hysteresis | - | - | 70 | - | mV |

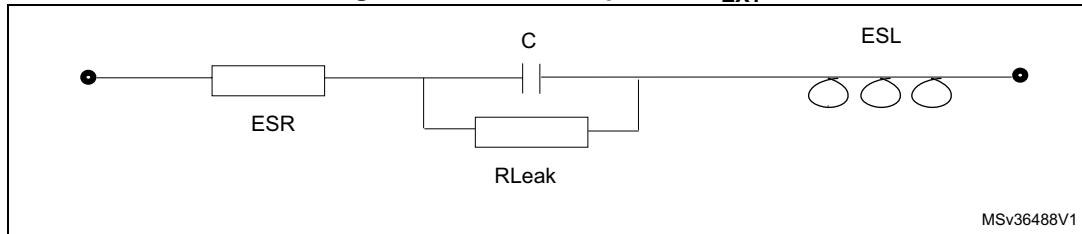
1. Guaranteed by design.

2. If V_{DD} is below 2.95 V, the code execution is guaranteed above the V_{IT-} and V_{IT+} thresholds. RAM content is kept. The EEPROM programming sequence must not be initiated.

9.3.1 VCAP external capacitor

Stabilization for the main regulator is achieved connecting an external capacitor C_{EXT} to the V_{CAP} pin. C_{EXT} is specified in [Table 17](#). Care should be taken to limit the series inductance to less than 15 nH.

Figure 10. External capacitor C_{EXT}



1. Legend: ESR is the equivalent series resistance and ESL is the equivalent inductance.

9.3.2 Supply current characteristics

The current consumption is measured as described in [Section 9.1.6: Pin input voltage](#).

Total current consumption in run mode

The MCU is placed under the following conditions:

- All I/O pins in input mode with a static value at V_{DD} or V_{SS} (no load)
- All peripherals are disabled (clock stopped by Peripheral Clock Gating registers) except if explicitly mentioned.

Subject to general operating conditions for V_{DD} and T_A .

Table 19. Total current consumption with code execution in run mode at V_{DD} = 5 V

| Symbol | Parameter | Conditions | Typ | Max ⁽¹⁾ | Unit | |
|----------------------|------------------------------------------------------|----------------------------------------------------------|---------------------------------------|--------------------|------|----|
| I _{DD(RUN)} | Supply current in run mode, code executed from RAM | f _{CPU} = f _{MASTER} = 16 MHz | HSE crystal osc. (16 MHz) | 3.2 | - | mA |
| | | | HSE user ext. clock (16 MHz) | 2.6 | 3.2 | |
| | | | HSI RC osc. (16 MHz) | 2.5 | 3.2 | |
| | | f _{CPU} = f _{MASTER} /128 = 125 kHz | HSE user ext. clock (16 MHz) | 1.6 | 2.2 | |
| | | | HSI RC osc. (16 MHz) | 1.3 | 2.0 | |
| | | f _{CPU} = f _{MASTER} /128 = 15.625 kHz | HSI RC osc. (16 MHz/8) | 0.75 | - | |
| | f _{CPU} = f _{MASTER} = 128 kHz | LSI RC osc. (128 kHz) | 0.55 | - | | |
| | Supply current in run mode, code executed from Flash | f _{CPU} = f _{MASTER} = 16 MHz | HSE crystal osc. (16 MHz) | 7.7 | - | |
| | | | HSE user ext. clock (16 MHz) | 7.0 | 8.0 | |
| | | | HSI RC osc.(16 MHz) | 7.0 | 8.0 | |
| | | f _{CPU} = f _{MASTER} = 2 MHz | HSI RC osc. (16 MHz/8) ⁽²⁾ | 1.5 | - | |
| | | f _{CPU} = f _{MASTER} /128 = 125 kHz | HSI RC osc. (16 MHz) | 1.35 | 2.0 | |
| | | f _{CPU} = f _{MASTER} /128 = 15.625 kHz | HSI RC osc. (16 MHz/8) | 0.75 | - | |
| | | f _{CPU} = f _{MASTER} = 128 kHz | LSI RC osc. (128 kHz) | 0.6 | - | |

1. Guaranteed by characterization results.
2. Default clock configuration measured with all peripherals off.

Table 20. Total current consumption with code execution in run mode at $V_{DD} = 3.3\text{ V}$

| Symbol | Parameter | Conditions | Typ | Max ⁽¹⁾ | Unit | |
|------------------------------------------------|------------------------------------------------------|------------------------------------------------|---------------------------------------|--------------------|------|----|
| $I_{DD(RUN)}$ | Supply current in run mode, code executed from RAM | $f_{CPU} = f_{MASTER} = 16\text{ MHz}$ | HSE crystal osc. (16 MHz) | 2.8 | - | mA |
| | | | HSE user ext. clock (16 MHz) | 2.6 | 3.2 | |
| | | | HSI RC osc. (16 MHz) | 2.5 | 3.2 | |
| | | $f_{CPU} = f_{MASTER}/128 = 125\text{ kHz}$ | HSE user ext. clock (16 MHz) | 1.6 | 2.2 | |
| | | | HSI RC osc. (16 MHz) | 1.3 | 2.0 | |
| | | $f_{CPU} = f_{MASTER}/128 = 15.625\text{ kHz}$ | HSI RC osc. (16MHz/8) | 0.75 | - | |
| | $f_{CPU} = f_{MASTER} = 128\text{ kHz}$ | LSI RC osc. (128 kHz) | 0.55 | - | | |
| | Supply current in run mode, code executed from Flash | $f_{CPU} = f_{MASTER} = 16\text{ MHz}$ | HSE crystal osc. (16 MHz) | 7.3 | - | |
| | | | HSE user ext. clock (16 MHz) | 7.0 | 8.0 | |
| | | | HSI RC osc. (16 MHz) | 7.0 | 8.0 | |
| | | $f_{CPU} = f_{MASTER} = 2\text{ MHz}$ | HSI RC osc. (16 MHz/8) ⁽²⁾ | 1.5 | - | |
| | | $f_{CPU} = f_{MASTER}/128 = 125\text{ kHz}$ | HSI RC osc. (16 MHz) | 1.35 | 2.0 | |
| $f_{CPU} = f_{MASTER}/128 = 15.625\text{ kHz}$ | | HSI RC osc. (16 MHz/8) | 0.75 | - | | |
| $f_{CPU} = f_{MASTER} = 128\text{ kHz}$ | LSI RC osc. (128 kHz) | 0.6 | - | | | |

1. Guaranteed by characterization results.
2. Default clock configuration.

Total current consumption in wait mode

Table 21. Total current consumption in wait mode at V_{DD} = 5 V

| Symbol | Parameter | Conditions | | Typ | Max ⁽¹⁾ | Unit |
|----------------------|-----------------------------|----------------------------------------------------------|---------------------------------------|------|--------------------|------|
| I _{DD(WFI)} | Supply current in wait mode | f _{CPU} = f _{MASTER} = 16 MHz | HSE crystal osc. (16 MHz) | 2.15 | - | mA |
| | | | HSE user ext. clock (16 MHz) | 1.55 | 2.0 | |
| | | | HSI RC osc. (16 MHz) | 1.5 | 1.9 | |
| | | f _{CPU} = f _{MASTER} /128 = 125 kHz | HSI RC osc. (16 MHz) | 1.3 | - | |
| | | f _{CPU} = f _{MASTER} /128 = 15.625 kHz | HSI RC osc. (16 MHz/8) ⁽²⁾ | 0.7 | - | |
| | | f _{CPU} = f _{MASTER} = 128 kHz | LSI RC osc. (128 kHz) | 0.5 | - | |

1. Guaranteed by characterization results.
2. Default clock configuration measured with all peripherals off.

Table 22. Total current consumption in wait mode at V_{DD} = 3.3 V

| Symbol | Parameter | Conditions | | Typ | Max ⁽¹⁾ | Unit |
|----------------------|-----------------------------|----------------------------------------------------------|---------------------------------------|------|--------------------|------|
| I _{DD(WFI)} | Supply current in wait mode | f _{CPU} = f _{MASTER} = 16 MHz | HSE crystal osc. (16 MHz) | 1.75 | - | mA |
| | | | HSE user ext. clock (16 MHz) | 1.55 | 2.0 | |
| | | | HSI RC osc. (16 MHz) | 1.5 | 1.9 | |
| | | f _{CPU} = f _{MASTER} /128 = 125 kHz | HSI RC osc. (16 MHz) | 1.3 | - | |
| | | f _{CPU} = f _{MASTER} /128 = 15.625 kHz | HSI RC osc. (16 MHz/8) ⁽²⁾ | 0.7 | - | |
| | | f _{CPU} = f _{MASTER} /128 = 15.625 kHz | LSI RC osc. (128 kHz) | 0.5 | - | |

1. Guaranteed by characterization results.
2. Default clock configuration measured with all peripherals off.

Total current consumption in active halt mode

Table 23. Total current consumption in active halt mode at V_{DD} = 5 V

| Symbol | Parameter | Conditions | | | Typ | Max ⁽¹⁾ | Unit |
|---------------------|------------------------------------|---------------------------------------------|---------------------------|---------------------------------|------|--------------------|------|
| | | Main voltage regulator (MVR) ⁽²⁾ | Flash mode ⁽³⁾ | Clock source | | | |
| I _{DD(AH)} | Supply current in active halt mode | On | Operating mode | HSE crystal oscillator (16 MHz) | 1080 | - | μA |
| | | | | LSI RC oscillator (128 kHz) | 200 | 320 | |
| | | | Power-down mode | HSE crystal oscillator (16 MHz) | 1030 | - | |
| | | | | LSI RC oscillator (128 kHz) | 140 | 270 | |
| | | Off | Operating mode | LSI RC oscillator (128 kHz) | 68 | 120 | |
| | | | Power-down mode | | 12 | 60 | |

1. Guaranteed by characterization results.
2. Configured by the REGAH bit in the CLK_IICKR register.
3. Configured by the AHALT bit in the FLASH_CR1 register.

Table 24. Total current consumption in active halt mode at V_{DD} = 3.3 V

| Symbol | Parameter | Conditions | | | Typ | Max at 85° C ⁽¹⁾ | Unit |
|---------------------|------------------------------------|---------------------------------------------|---------------------------|---------------------------|-----|-----------------------------|------|
| | | Main voltage regulator (MVR) ⁽²⁾ | Flash mode ⁽³⁾ | Clock source | | | |
| I _{DD(AH)} | Supply current in active halt mode | On | Operating mode | HSE crystal osc. (16 MHz) | 680 | - | μA |
| | | | | LSI RC osc. (128 kHz) | 200 | 320 | |
| | | | Power-down mode | HSE crystal osc. (16 MHz) | 630 | - | |
| | | | | LSI RC osc. (128 kHz) | 140 | 270 | |
| | | Off | Operating mode | LSI RC osc. (128 kHz) | 66 | 120 | |
| | | | Power-down mode | | 10 | 60 | |

1. Guaranteed by characterization results.
2. Configured by the REGAH bit in the CLK_IICKR register.
3. Configured by the AHALT bit in the FLASH_CR1 register.

Total current consumption in halt mode

Table 25. Total current consumption in halt mode at V_{DD} = 5 V

| Symbol | Parameter | Conditions | Typ | Max | Unit |
|--------------------|-----------------------------|--------------------------------------------------|-----|-----|------|
| I _{DD(H)} | Supply current in halt mode | Flash in operating mode, HSI clock after wakeup | 62 | 90 | μA |
| | | Flash in power-down mode, HSI clock after wakeup | 6.5 | 25 | |

Table 26. Total current consumption in halt mode at V_{DD} = 3.3 V

| Symbol | Parameter | Conditions | Typ | Max at 85° C ⁽¹⁾ | Unit |
|--------------------|-----------------------------|--------------------------------------------------|-----|-----------------------------|------|
| I _{DD(H)} | Supply current in halt mode | Flash in operating mode, HSI clock after wakeup | 60 | 90 | μA |
| | | Flash in power-down mode, HSI clock after wakeup | 4.5 | 20 | |

1. Guaranteed by characterization results.

Low-power mode wakeup times

Table 27. Wakeup times

| Symbol | Parameter | Conditions | Typ | Max ⁽¹⁾ | Unit | |
|----------------------|----------------------------------------------------------|--------------------------------------------------|-----------------------------------------|--------------------|------------------|----|
| t _{WU(WFI)} | Wakeup time from wait mode to run mode ⁽³⁾ | 0 to 16 MHz | - | -(²) | | |
| | | f _{CPU} = f _{MASTER} = 16 MHz. | 0.56 | - | | |
| t _{WU(AH)} | Wakeup time active halt mode to run mode. ⁽³⁾ | MVR voltage regulator on ⁽⁴⁾ | Flash in operating mode ⁽⁵⁾ | 1 ⁽⁶⁾ | 2 ⁽⁶⁾ | μs |
| | | | Flash in power-down mode ⁽⁵⁾ | 3 ⁽⁶⁾ | - | |
| | | MVR voltage regulator off ⁽⁴⁾ | Flash in operating mode ⁽⁵⁾ | 48 ⁽⁶⁾ | - | |
| | | | Flash in power-down mode ⁽⁵⁾ | 50 ⁽⁶⁾ | - | |
| t _{WU(H)} | Wakeup time from halt mode to run mode ⁽³⁾ | Flash in operating mode ⁽⁵⁾ | 52 | - | | |
| | | Flash in power-down mode ⁽⁵⁾ | 54 | - | | |

1. Data guaranteed by design.
2. t_{WU(WFI)} = 2 x 1/f_{master} + 7 x 1/f_{CPU}
3. Measured from interrupt event to interrupt vector fetch.
4. Configured by the REGAH bit in the CLK_ICKR register.
5. Configured by the AHALT bit in the FLASH_CR1 register.
6. Plus 1 LSI clock depending on synchronization.

Total current consumption and timing in forced reset state

Table 28. Total current consumption and timing in forced reset state

| Symbol | Parameter | Conditions | Typ | Max ⁽¹⁾ | Unit |
|----------------------|----------------------------------------------|-------------------------|-----|--------------------|------|
| I _{DD(R)} | Supply current in reset state ⁽²⁾ | V _{DD} = 5 V | 500 | - | μA |
| | | V _{DD} = 3.3 V | 400 | - | |
| t _{RESETBL} | Reset pin release to vector fetch | - | - | 150 | μs |

1. Guaranteed by design.
2. Characterized with all I/Os tied to V_{SS}.

Current consumption of on-chip peripherals

Subject to general operating conditions for V_{DD} and T_A.

HSI internal RC/f_{CPU} = f_{MASTER} = 16 MHz.

Table 29. Peripheral current consumption

| Symbol | Parameter | Typ. | Unit |
|------------------------|----------------------------------------------------|------|------|
| I _{DD(TIM1)} | TIM1 supply current ⁽¹⁾ | 230 | μA |
| I _{DD(TIM2)} | TIM2 supply current ⁽¹⁾ | 115 | |
| I _{DD(TIM3)} | TIM3 timer supply current ⁽¹⁾ | 90 | |
| I _{DD(TIM4)} | TIM4 timer supply current ⁽¹⁾ | 30 | |
| I _{DD(UART2)} | UART2 supply current ⁽²⁾ | 110 | |
| I _{DD(SPI)} | SPI supply current ⁽²⁾ | 45 | |
| I _{DD(I2C)} | I ² C supply current ⁽²⁾ | 65 | |
| I _{DD(ADC1)} | ADC1 supply current when converting ⁽³⁾ | 955 | |

1. Data based on a differential I_{DD} measurement between reset configuration and timer counter running at 16 MHz. No IC/OC programmed (no I/O pads toggling). Not tested in production.
2. Data based on a differential I_{DD} measurement between the on-chip peripheral when kept under reset and not clocked and the on-chip peripheral when clocked and not kept under reset. No I/O pads toggling. Not tested in production.
3. Data based on a differential I_{DD} measurement between reset configuration and continuous A/D conversions. Not tested in production.

Current consumption curves

The following figures show the typical current consumption measured with code executing in RAM.

Figure 11. Typ. $I_{DD(RUN)}$ vs V_{DD} , HSE user external clock, $f_{CPU} = 16$ MHz

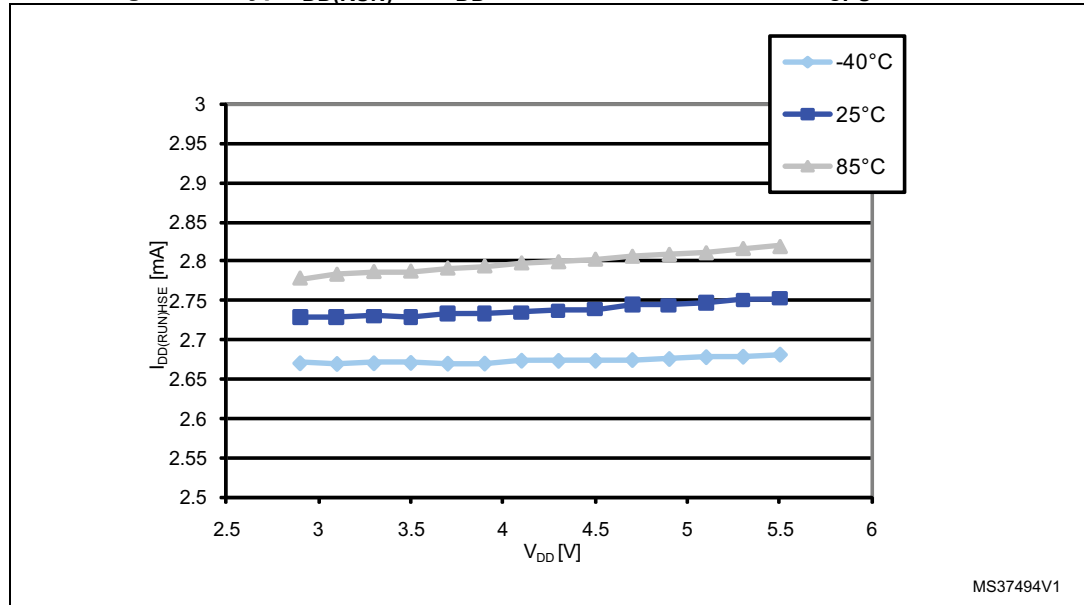


Figure 12. Typ. $I_{DD(RUN)}$ vs f_{CPU} , HSE user external clock, $V_{DD} = 5$ V

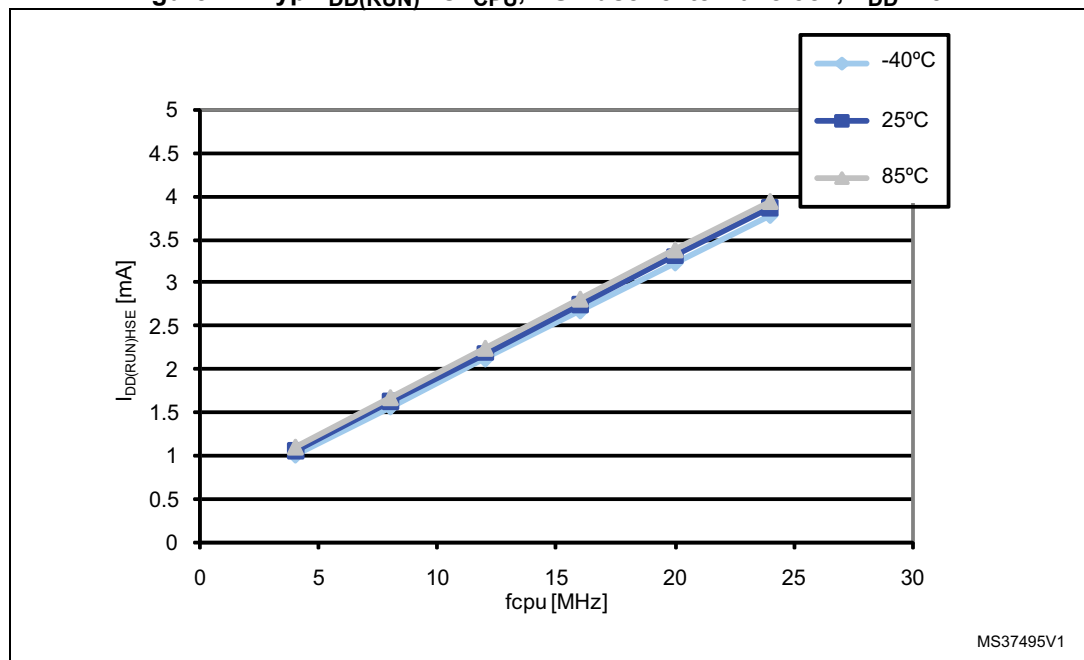


Figure 13. Typ. $I_{DD(WFI)}$ vs V_{DD} , HSE user external clock, $f_{CPU} = 16$ MHz

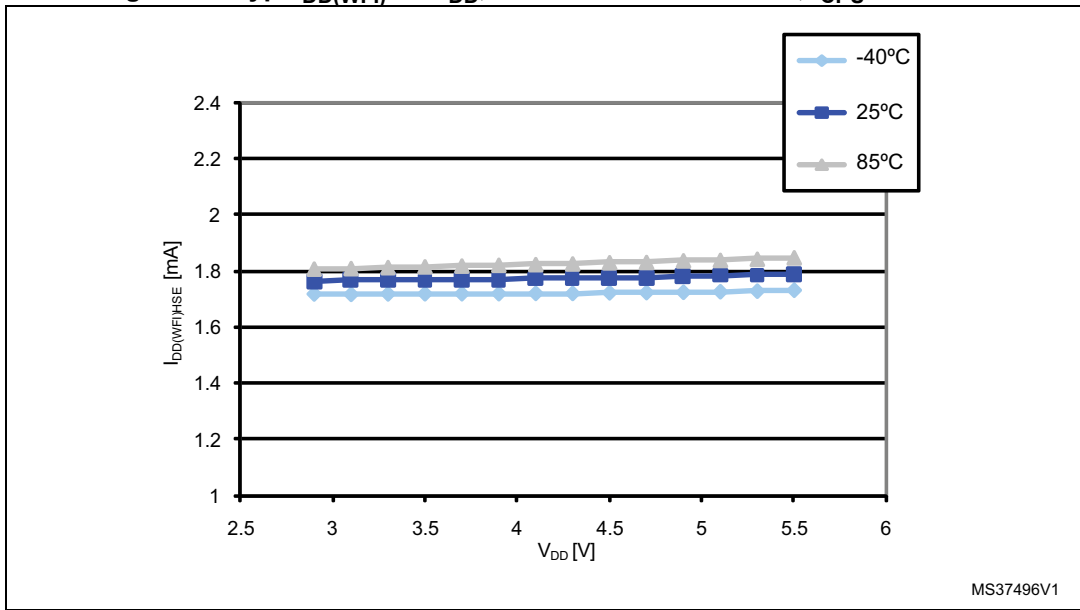


Figure 14. Typ. $I_{DD(WFI)}$ vs f_{CPU} , HSE user external clock, $V_{DD} = 5$ V

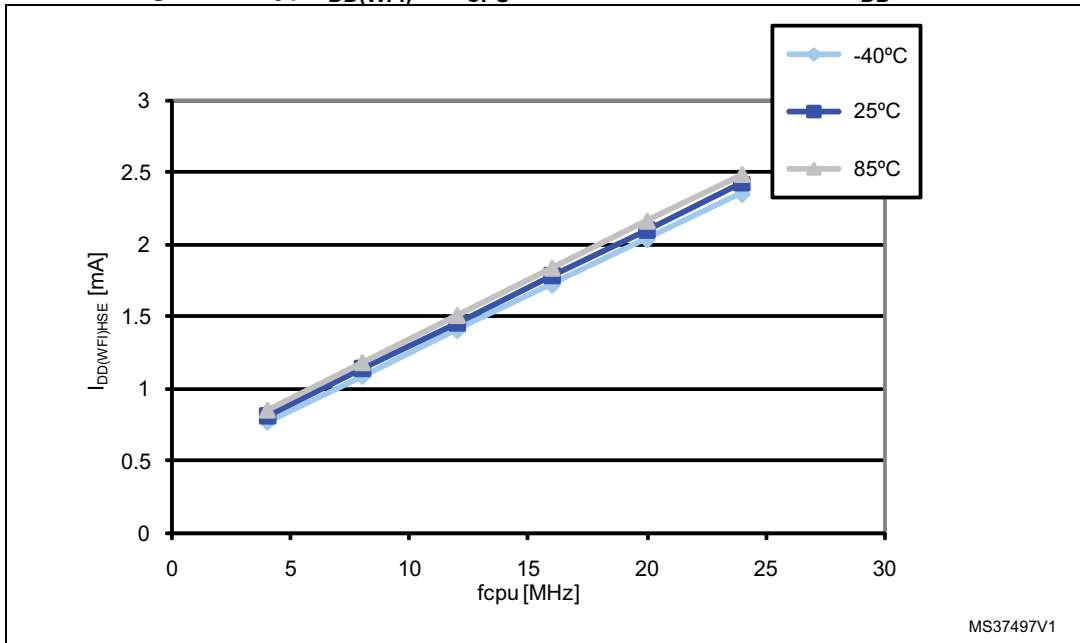


Figure 15. Typ. $I_{DD(RUN)}$ vs V_{DD} , HSI RC osc, $f_{CPU} = 16$ MHz

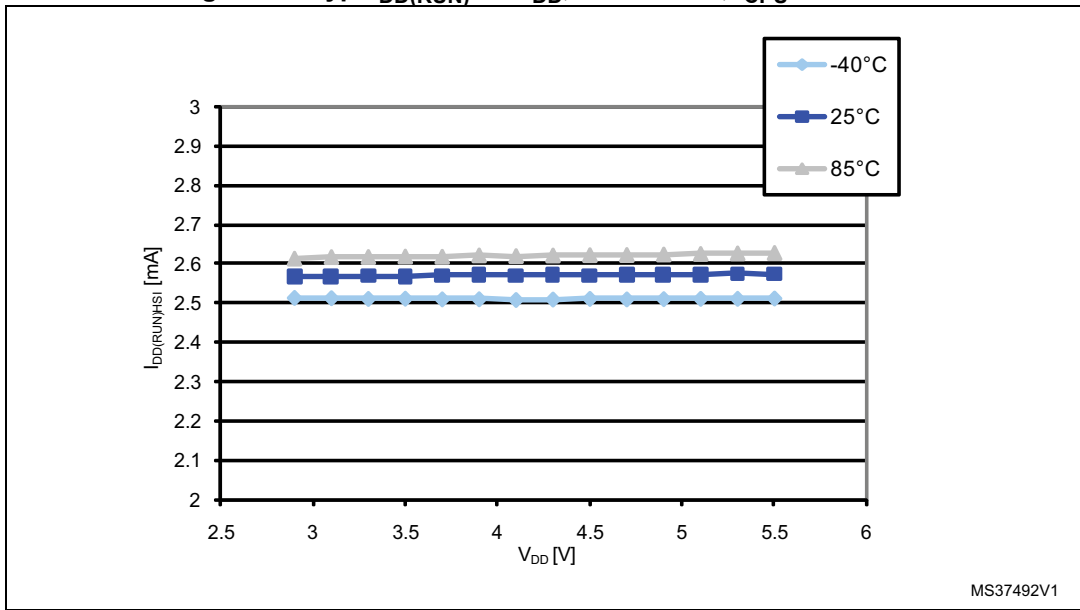
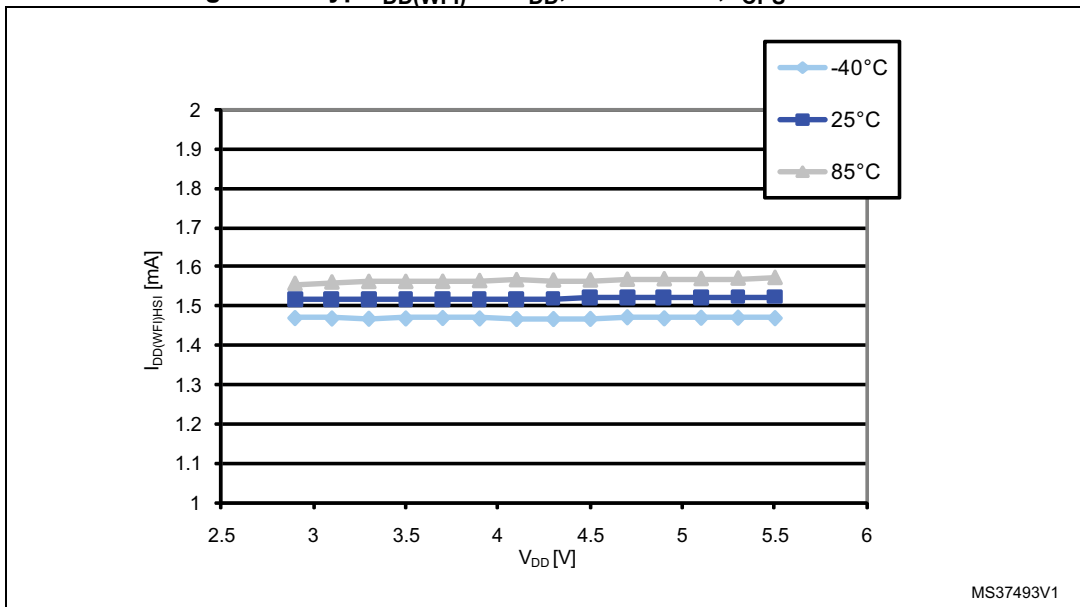


Figure 16. Typ. $I_{DD(WFI)}$ vs V_{DD} , HSI RC osc, $f_{CPU} = 16$ MHz



9.3.3 External clock sources and timing characteristics

HSE user external clock

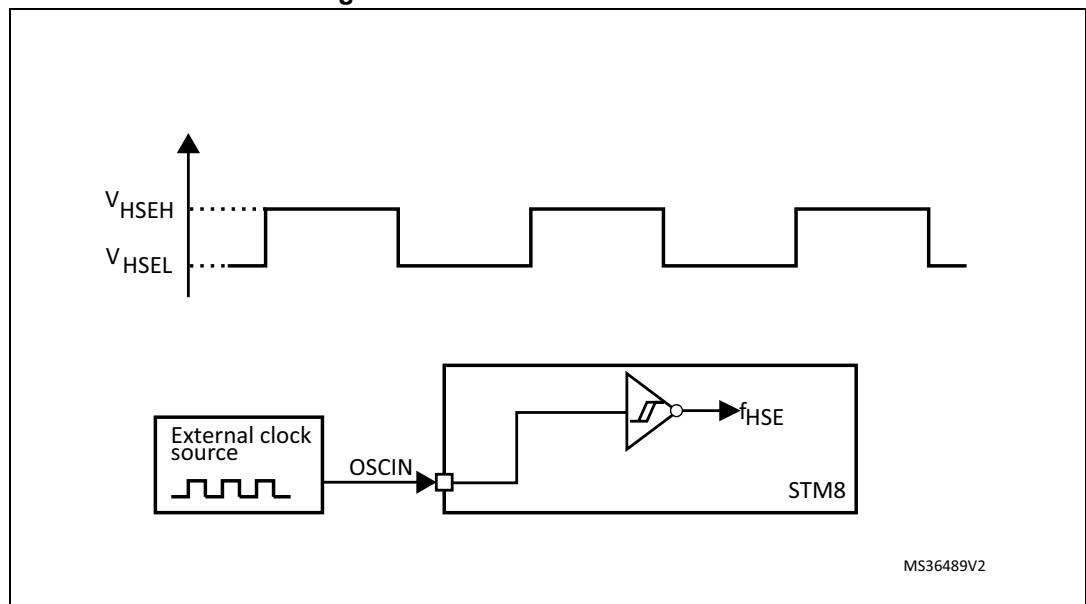
Subject to general operating conditions for V_{DD} and T_A .

Table 30. HSE user external clock characteristics

| Symbol | Parameter | Conditions | Min | Typ | Max | Unit |
|------------------|--------------------------------------|----------------------------|---------------------|-----|---------------------|---------|
| f_{HSE_ext} | User external clock source frequency | | 0 | - | 16 | MHz |
| $V_{HSEH}^{(1)}$ | OSCIN input pin high level voltage | - | $0.7 \times V_{DD}$ | - | $V_{DD} + 0.3 V$ | V |
| $V_{HSEL}^{(1)}$ | OSCIN input pin low level voltage | | V_{SS} | - | $0.3 \times V_{DD}$ | |
| I_{LEAK_HSE} | OSCIN input leakage current | $V_{SS} < V_{IN} < V_{DD}$ | -1 | - | +1 | μA |

1. Guaranteed by characterization results.

Figure 17. HSE external clock source



HSE crystal/ceramic resonator oscillator

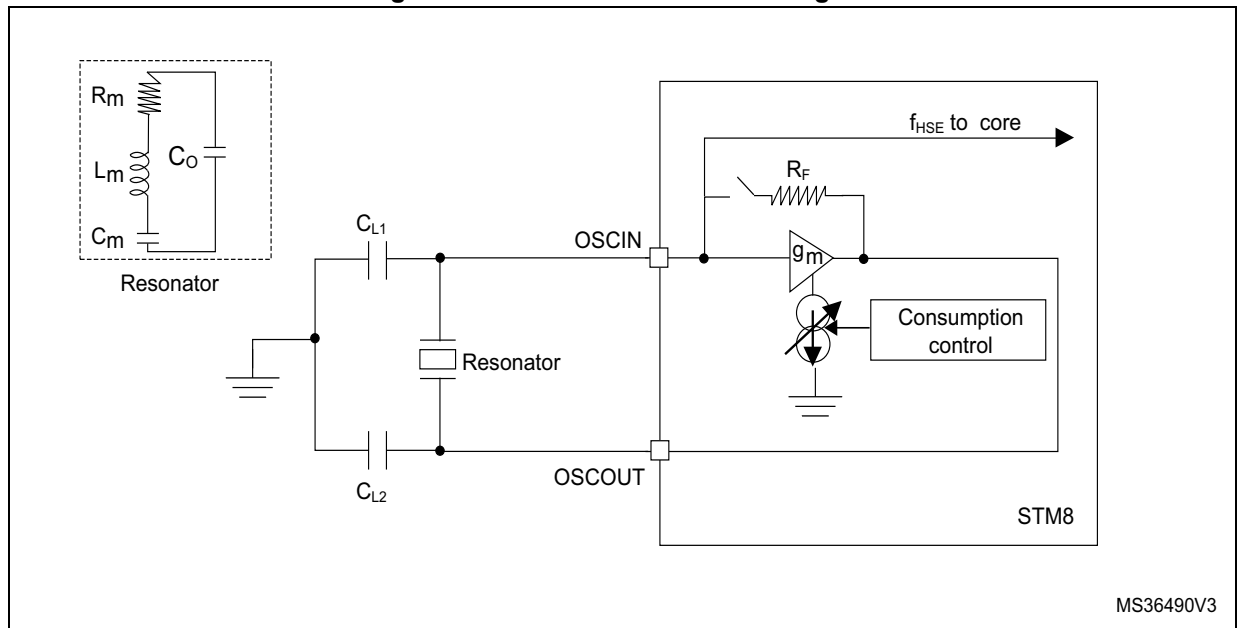
The HSE clock can be supplied with a 1 to 16 MHz crystal/ceramic resonator oscillator. All the information given in this paragraph is based on characterization results with specified typical external components. In the application, the resonator and the load capacitors have to be placed as close as possible to the oscillator pins in order to minimize output distortion and start-up stabilization time. Refer to the crystal resonator manufacturer for more details (frequency, package, accuracy...).

Table 31. HSE oscillator characteristics

| Symbol | Parameter | Conditions | Min | Typ | Max | Unit |
|---------------------|---------------------------------------------|-----------------------------------------------------|-----|-----|------------------------------------------------|------------|
| f_{HSE} | External high speed oscillator frequency | - | 1 | - | 16 | MHz |
| R_F | Feedback resistor | - | - | 220 | - | k Ω |
| $C^{(1)}$ | Recommended load capacitance ⁽²⁾ | - | - | - | 20 | pF |
| $I_{DD(HSE)}$ | HSE oscillator power consumption | $C = 20 \text{ pF}$, $f_{OSC} = 16 \text{ MHz}$ | - | - | 6 (startup) 1.6 (stabilized) ⁽³⁾ | mA |
| | | $C = 10 \text{ pF}$, $f_{OSC} = 16 \text{ MHz}$ | - | - | 6 (startup) 1.2 (stabilized) ⁽³⁾ | |
| g_m | Oscillator transconductance | - | 5 | - | - | mAV |
| $t_{SU(HSE)}^{(4)}$ | Startup time | V_{DD} is stabilized | - | 1 | - | ms |

1. C is approximately equivalent to 2 x crystal Load.
2. The oscillator selection can be optimized in terms of supply current using a high quality resonator with small R_m value. Refer to crystal manufacturer for more details
3. Guaranteed by characterization results.
4. $t_{SU(HSE)}$ is the start-up time measured from the moment it is enabled (by software) to a stabilized 16 MHz oscillation is reached. This value is measured for a standard crystal resonator and it can vary significantly with the crystal manufacturer.

Figure 18. HSE oscillator circuit diagram



MS36490V3

HSE oscillator critical g_m formula

$$g_{m\text{crit}} = (2 \times \Pi \times f_{\text{HSE}})^2 \times R_m (2C_o + C)^2$$

R_m : Notional resistance (see crystal specification)

L_m : Notional inductance (see crystal specification)

C_m : Notional capacitance (see crystal specification)

C_o : Shunt capacitance (see crystal specification)

$C_{L1}=C_{L2}=C$: Grounded external capacitance

$g_m \gg g_{m\text{crit}}$

9.3.4 Internal clock sources and timing characteristics

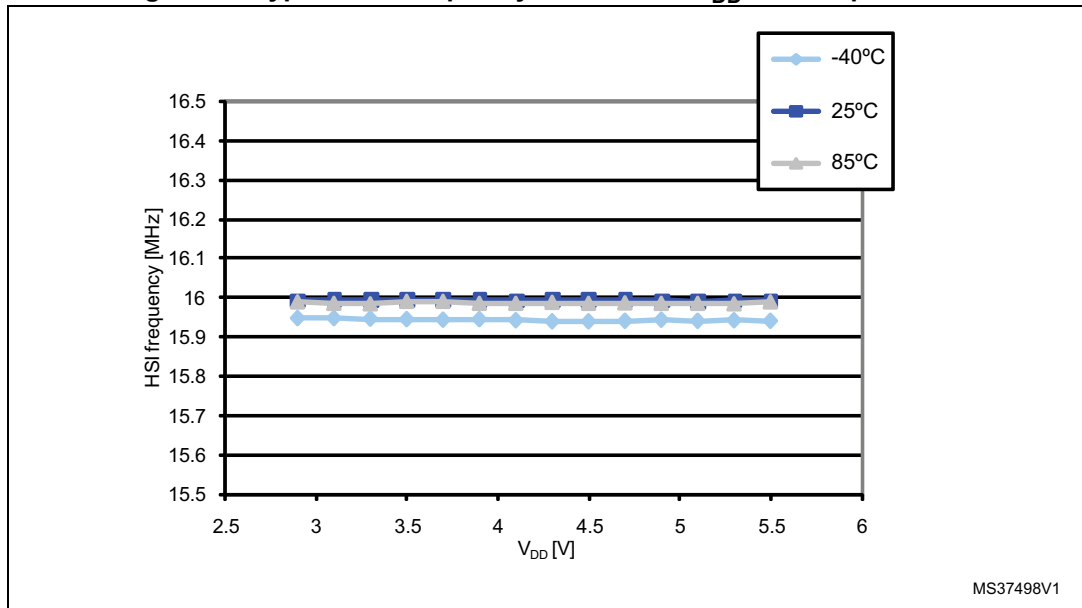
Subject to general operating conditions for V_{DD} and T_A .

High speed internal RC oscillator (HSI)**Table 32. HSI oscillator characteristics**

| Symbol | Parameter | Conditions | Min | Typ | Max | Unit |
|----------------------|--------------------------------------------------|----------------------------------------------------------------------------------------------------|-----|-----|--------------------|---------------|
| f_{HSI} | Frequency | - | - | 16 | - | MHz |
| ACC_{HSI} | Accuracy of HSI oscillator | User-trimmed with the CLK_HSITRIMR register for given V_{DD} and T_A conditions ⁽¹⁾ | - | - | 1.0 ⁽²⁾ | % |
| | Accuracy of HSI oscillator (factory calibrated) | $V_{DD} = 5 \text{ V}$, $-40 \text{ }^\circ\text{C} \leq T_A \leq 85 \text{ }^\circ\text{C}$ | -5 | - | 5 | |
| $t_{\text{su(HSI)}}$ | HSI oscillator wakeup time including calibration | - | - | - | 1.0 ⁽²⁾ | μs |
| $I_{\text{DD(HSI)}}$ | HSI oscillator power consumption | - | - | 170 | 250 ⁽³⁾ | μA |

1. See the application note.
2. Guaranteed by design.
3. Guaranteed by characterization results.

Figure 19. Typical HSI frequency variation vs V_{DD} at 3 temperatures



MS37498V1

Low speed internal RC oscillator (LSI)

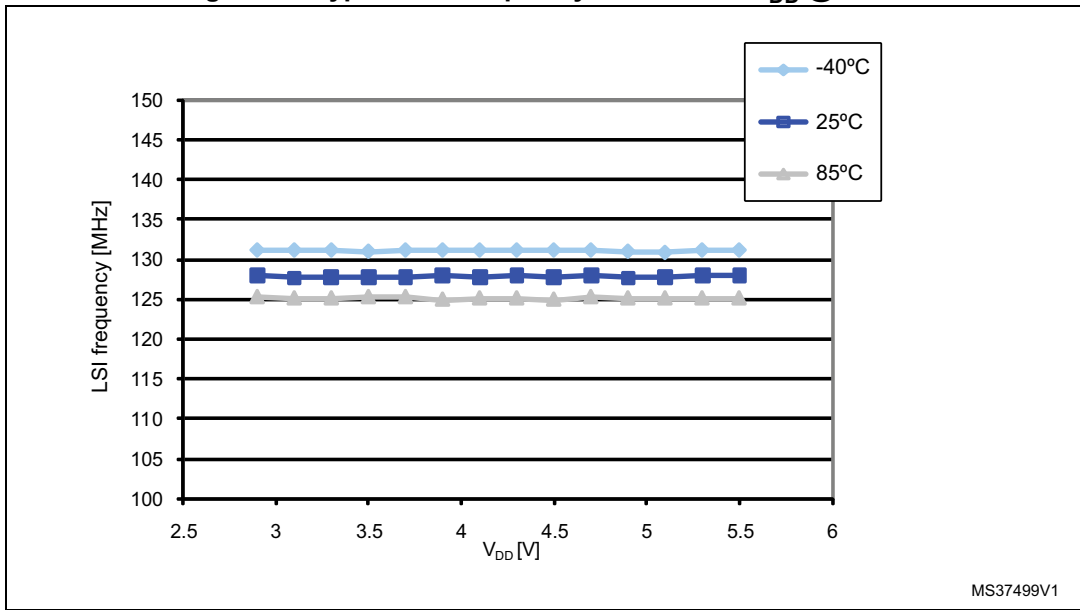
Subject to general operating conditions for V_{DD} and T_A.

Table 33. LSI oscillator characteristics

| Symbol | Parameter | Conditions | Min | Typ | Max | Unit |
|----------------------|----------------------------------|------------|-----|-----|------------------|------|
| f _{LSI} | Frequency | - | - | 128 | - | kHz |
| t _{su(LSI)} | LSI oscillator wakeup time | - | - | - | 7 ⁽¹⁾ | µs |
| I _{DD(LSI)} | LSI oscillator power consumption | - | - | 5 | - | µA |

1. Guaranteed by design.

Figure 20. Typical LSI frequency variation vs V_{DD} @ 25 °C



9.3.5 Memory characteristics

RAM and hardware registers

Table 34. RAM and hardware registers

| Symbol | Parameter | Conditions | Min | Unit |
|-----------------|------------------------------------|----------------------|------------------------------------|------|
| V _{RM} | Data retention mode ⁽¹⁾ | Halt mode (or reset) | V _{IT-max} ⁽²⁾ | V |

1. Minimum supply voltage without losing data stored in RAM (in halt mode or under reset) or in hardware registers (only in halt mode). Guaranteed by design.

2. Refer to [Table 18 on page 47](#) for the value of V_{IT-max}.

Flash program memory and data EEPROM

General conditions: T_A = -40 to 85 °C.

Table 35. Flash program memory and data EEPROM

| Symbol | Parameter | Conditions | Min ⁽¹⁾ | Typ | Max | Unit |
|--------------------|--------------------------------------------------------------------------------------------|---------------------------|--------------------|-----|-----|--------|
| V _{DD} | Operating voltage (all modes, execution/write/erase) | f _{CPU} ≤ 16 MHz | 2.95 | - | 5.5 | V |
| t _{prog} | Standard programming time (including erase) for byte/word/block (1 byte/4 bytes/128 bytes) | - | - | 6.0 | 6.6 | ms |
| | Fast programming time for 1 block (128 bytes) | - | - | 3.0 | 3.3 | ms |
| t _{erase} | Erase time for 1 block (128 bytes) | - | - | 3.0 | 3.3 | ms |
| N _{RW} | Erase/write cycles ⁽²⁾ (program memory) | T _A = 85 °C | 100 | - | - | cycles |
| | Erase/write cycles ⁽²⁾ (data memory) | | 100 k | - | - | |
| t _{RET} | Data retention (program memory) after 100 erase/write cycles at T _A = 85 °C | T _{RET} = 55° C | 20 | - | - | years |
| | Data retention (data memory) after 10 k erase/write cycles at T _A = 85 °C | | 20 | - | - | |
| | Data retention (data memory) after 100 k erase/write cycles at T _A = 85 °C | T _{RET} = 85° C | 1.0 | - | - | |
| I _{DD} | Supply current (Flash programming or erasing for 1 to 128 bytes) | - | - | 2.0 | - | mA |

1. Guaranteed by characterization results.

2. The physical granularity of the memory is 4 bytes, so cycling is performed on 4 bytes even when a write/erase operation addresses a single byte.

9.3.6 I/O port pin characteristics

General characteristics

Subject to general operating conditions for V_{DD} and T_A unless otherwise specified. All unused pins must be kept at a fixed voltage: using the output mode of the I/O for example or an external pull-up or pull-down resistor.

Table 36. I/O static characteristics

| Symbol | Parameter | Conditions | Min | Typ | Max | Unit |
|----------------------|-------------------------------------------|---------------------------------------------|---------------------|-----|-------------------------|---------------|
| V_{IL} | Input low level voltage | $V_{DD} = 5\text{ V}$ | -0.3 | - | $0.3 \times V_{DD}$ | V |
| V_{IH} | Input high level voltage | | $0.7 \times V_{DD}$ | - | $V_{DD} + 0.3\text{ V}$ | V |
| V_{hys} | Hysteresis ⁽¹⁾ | | - | 700 | - | mV |
| R_{pu} | Pull-up resistor | $V_{DD} = 5\text{ V}, V_{IN} = V_{SS}$ | 30 | 55 | 80 | k Ω |
| t_R, t_F | Rise and fall time (10% - 90%) | Fast I/Os Load = 50 pF | - | - | $35^{(2)}$ | ns |
| | | Standard and high sink I/Os Load = 50 pF | - | - | $125^{(2)}$ | ns |
| I_{lkg} | Input leakage current, analog and digital | $V_{SS} \leq V_{IN} \leq V_{DD}$ | - | - | $\pm 1^{(3)}$ | μA |
| $I_{lkg\text{ ana}}$ | Analog input leakage current | $V_{SS} \leq V_{IN} \leq V_{DD}$ | - | - | $\pm 250^{(3)}$ | nA |
| $I_{lkg(inj)}$ | Leakage current in adjacent I/O | Injection current $\pm 4\text{ mA}$ | - | - | $\pm 1^{(3)}$ | μA |

1. Hysteresis voltage between Schmitt trigger switching levels. Based on characterization results.
2. Data guaranteed by design.
3. Guaranteed by characterization results.

Figure 21. Typical V_{IL} and V_{IH} vs V_{DD} @ 3 temperatures

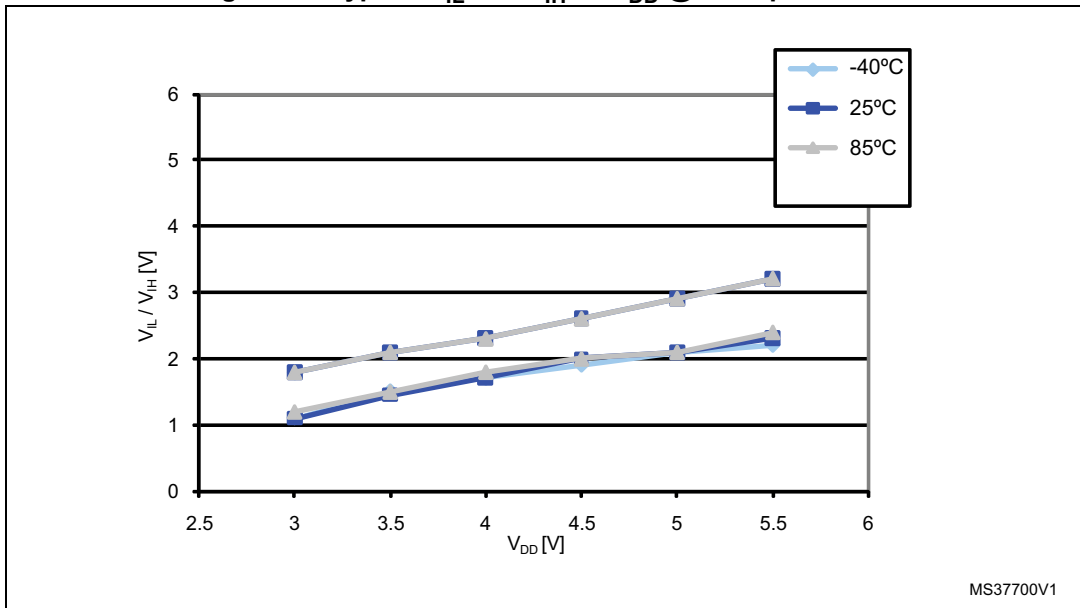


Figure 22. Typical pull-up resistance vs V_{DD} @ 3 temperatures

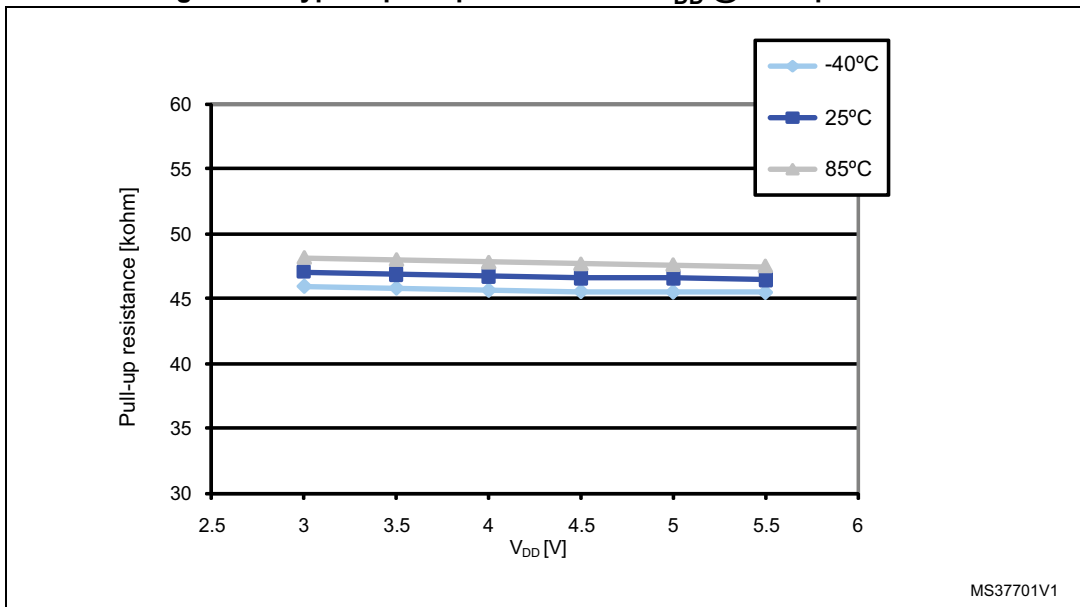
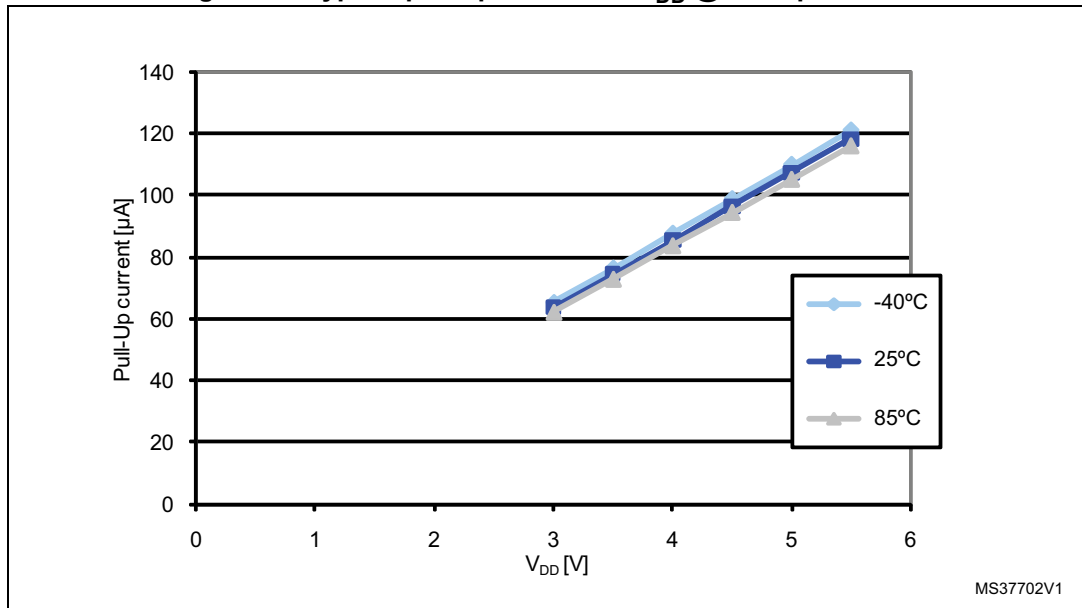


Figure 23. Typical pull-up current vs V_{DD} @ 3 temperatures



1. The pull-up is a pure resistor (slope goes through 0).

Table 37. Output driving current (standard ports)

| Symbol | Parameter | Conditions | Min | Max | Unit |
|----------|---------------------------------------|----------------------------------------------------|--------------------|------------------|------|
| V_{OL} | Output low level with 8 pins sunk | $I_{IO} = 10 \text{ mA}$, $V_{DD} = 5 \text{ V}$ | - | 2 | V |
| | Output low level with 4 pins sunk | $I_{IO} = 4 \text{ mA}$, $V_{DD} = 3.3 \text{ V}$ | - | 1 ⁽¹⁾ | |
| V_{OH} | Output high level with 8 pins sourced | $I_{IO} = 10 \text{ mA}$, $V_{DD} = 5 \text{ V}$ | 2.4 | - | V |
| | Output high level with 4 pins sourced | $I_{IO} = 4 \text{ mA}$, $V_{DD} = 3.3 \text{ V}$ | 2.0 ⁽¹⁾ | - | |

1. Guaranteed by characterization results.

Table 38. Output driving current (true open drain ports)

| Symbol | Parameter | Conditions | Max | Unit |
|----------|-----------------------------------|-----------------------------------------------------|--------------------|------|
| V_{OL} | Output low level with 2 pins sunk | $I_{IO} = 10 \text{ mA}$, $V_{DD} = 5 \text{ V}$ | 1 | V |
| | | $I_{IO} = 10 \text{ mA}$, $V_{DD} = 3.3 \text{ V}$ | 1.5 ⁽¹⁾ | |
| | | $I_{IO} = 20 \text{ mA}$, $V_{DD} = 5 \text{ V}$ | 2 ⁽¹⁾ | |

1. Guaranteed by characterization results.

Table 39. Output driving current (high sink ports)

| Symbol | Parameter | Conditions | Min | Max | Unit |
|-----------------|---------------------------------------|--------------------------------------------------|--------------------|--------------------|------|
| V _{OL} | Output low level with 8 pins sunk | I _{IO} = 10 mA, V _{DD} = 5 V | - | 0.9 | V |
| | Output low level with 4 pins sunk | I _{IO} = 10 mA, V _{DD} = 3.3 V | - | 1.1 ⁽¹⁾ | |
| | Output low level with 4 pins sunk | I _{IO} = 20 mA, V _{DD} = 5 V | - | 1.6 ⁽¹⁾ | |
| V _{OH} | Output high level with 8 pins sourced | I _{IO} = 10 mA, V _{DD} = 5 V | 3.8 | - | |
| | Output high level with 4 pins sourced | I _{IO} = 10 mA, V _{DD} = 3.3 V | 1.9 ⁽¹⁾ | - | |
| | Output high level with 4 pins sourced | I _{IO} = 20 mA, V _{DD} = 5 V | 2.9 ⁽¹⁾ | - | |

1. Guaranteed by characterization results.

Typical output level curves

Figure 25 to Figure 32 show typical output level curves measured with output on a single pin.

Figure 24. Typ. V_{OL} @ V_{DD} = 5 V (standard ports)

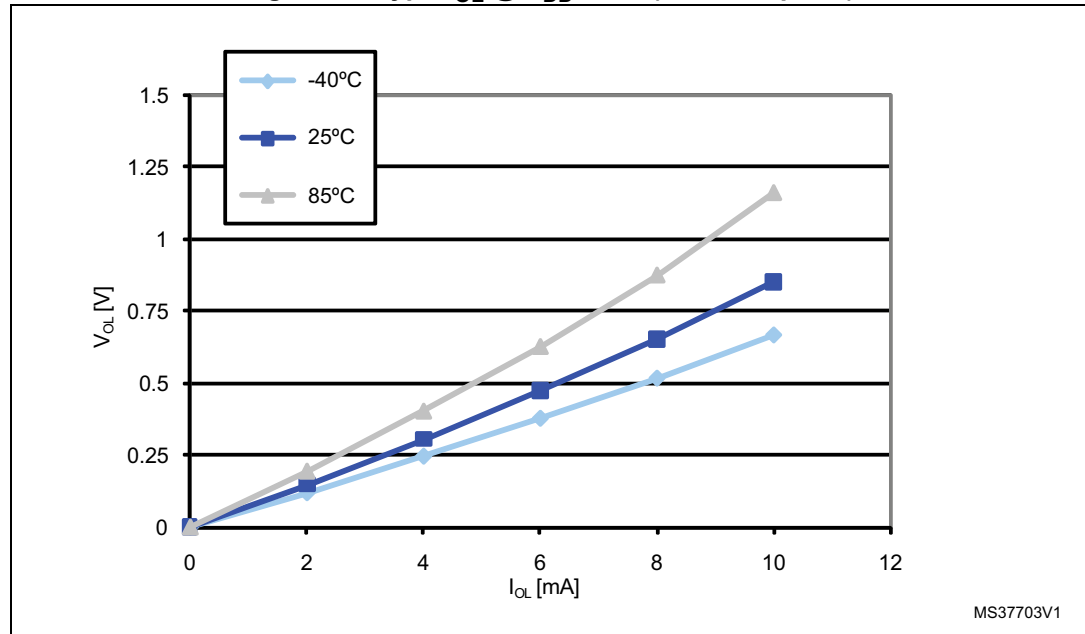


Figure 25. Typ. V_{OL} @ $V_{DD} = 3.3$ V (standard ports)

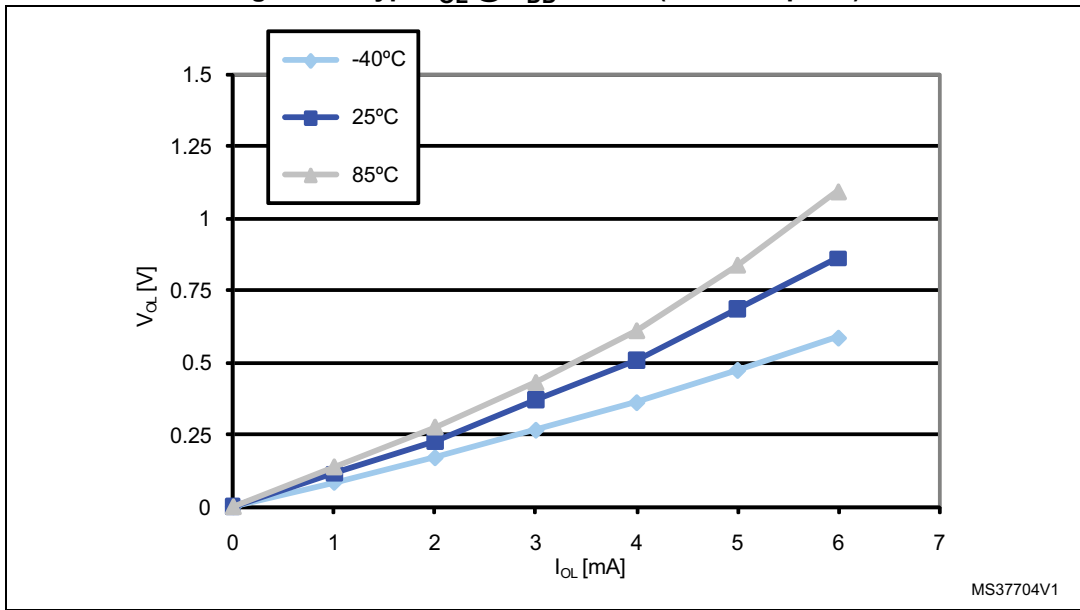


Figure 26. Typ. V_{OL} @ $V_{DD} = 5$ V (true open drain ports)

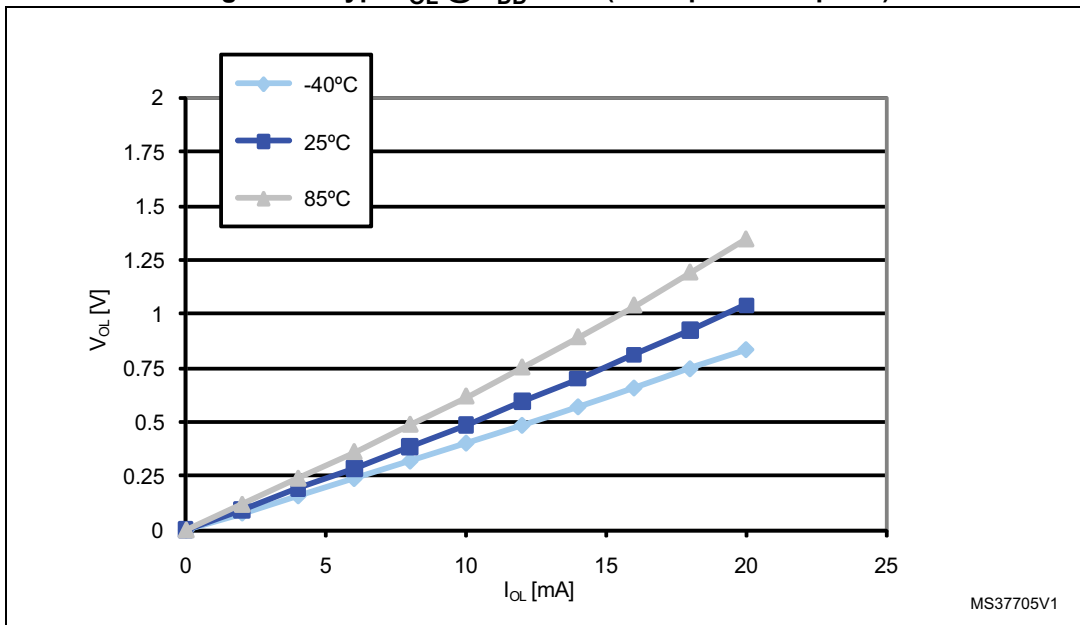


Figure 27. Typ. V_{OL} @ $V_{DD} = 3.3$ V (true open drain ports)

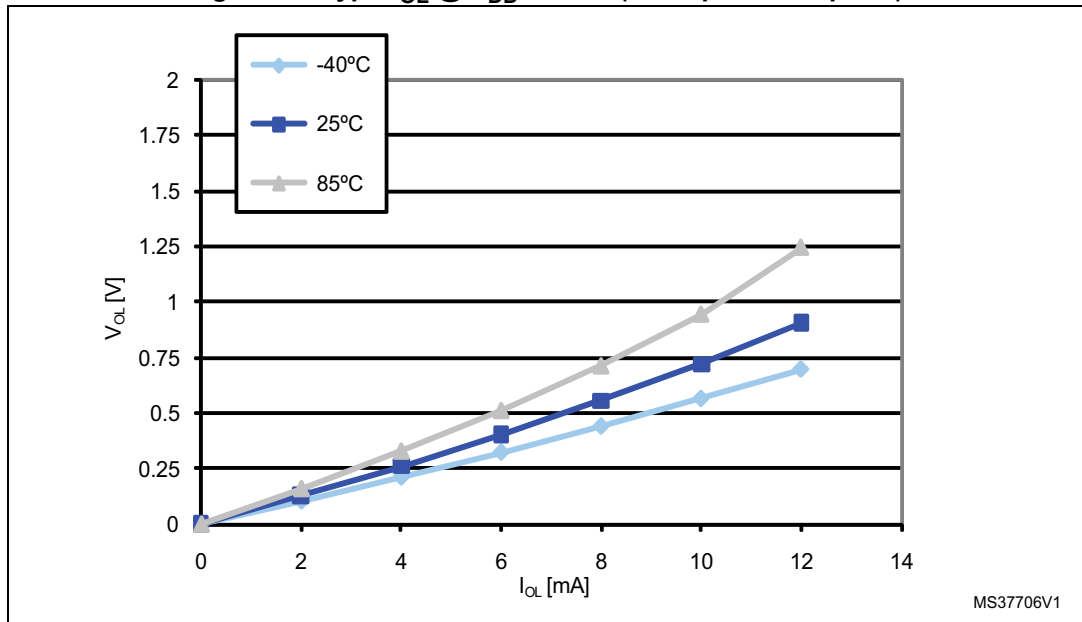


Figure 28. Typ. V_{OL} @ $V_{DD} = 5$ V (high sink ports)

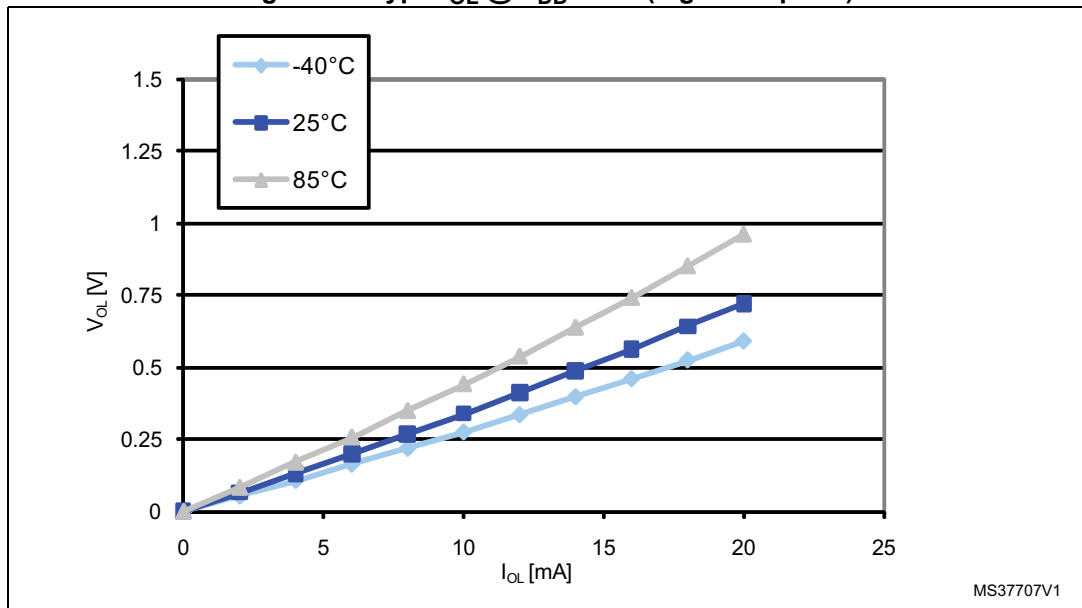


Figure 29. Typ. V_{OL} @ $V_{DD} = 3.3$ V (high sink ports)

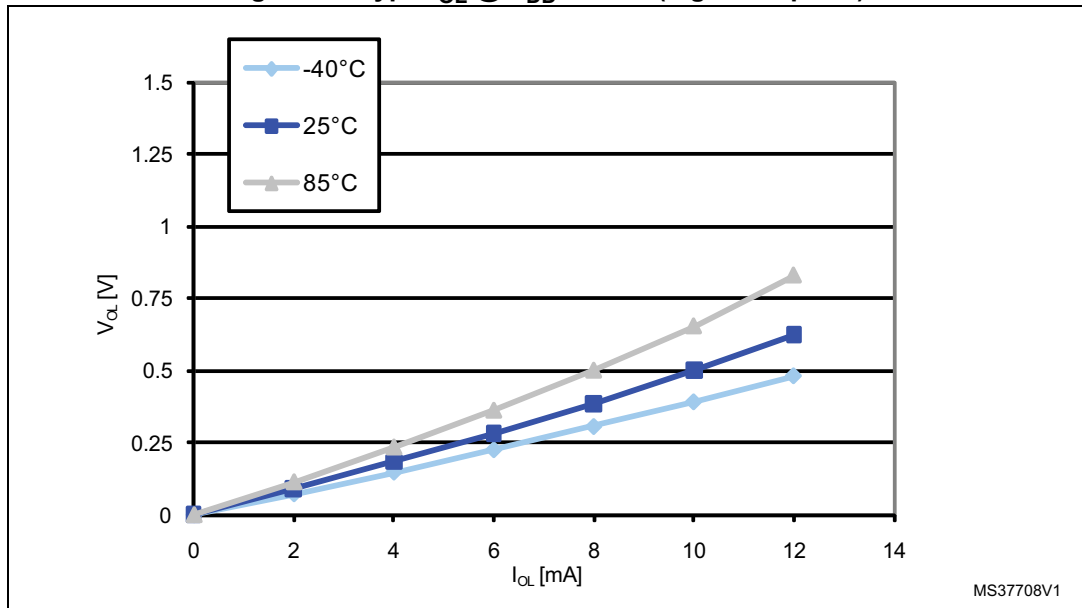


Figure 30. Typ. $V_{DD} - V_{OH}$ @ $V_{DD} = 5$ V (standard ports)

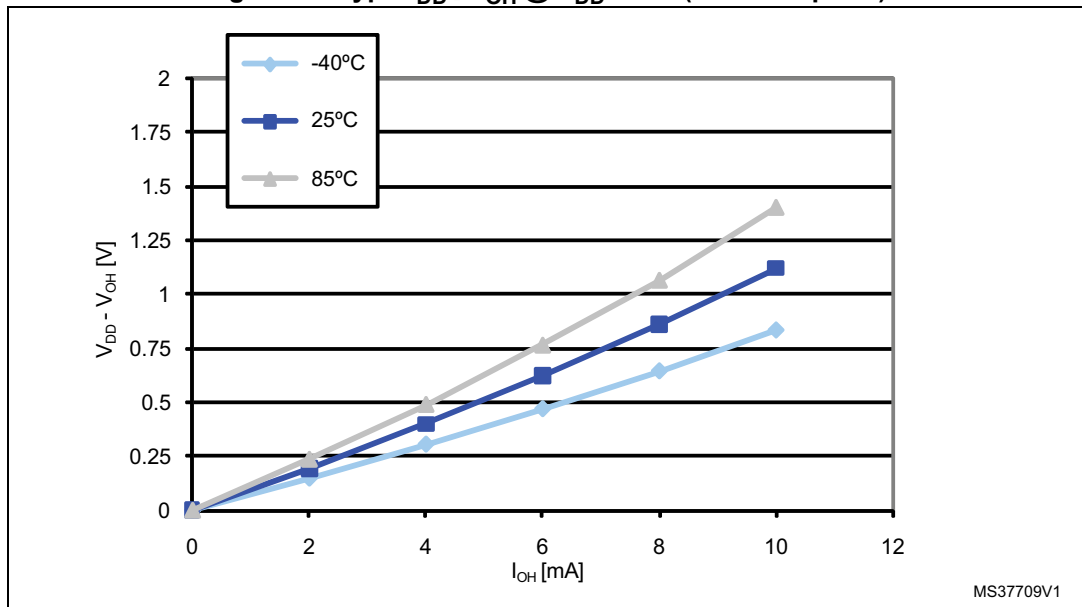


Figure 31. Typ. $V_{DD} - V_{OH}$ @ $V_{DD} = 3.3\text{ V}$ (standard ports)

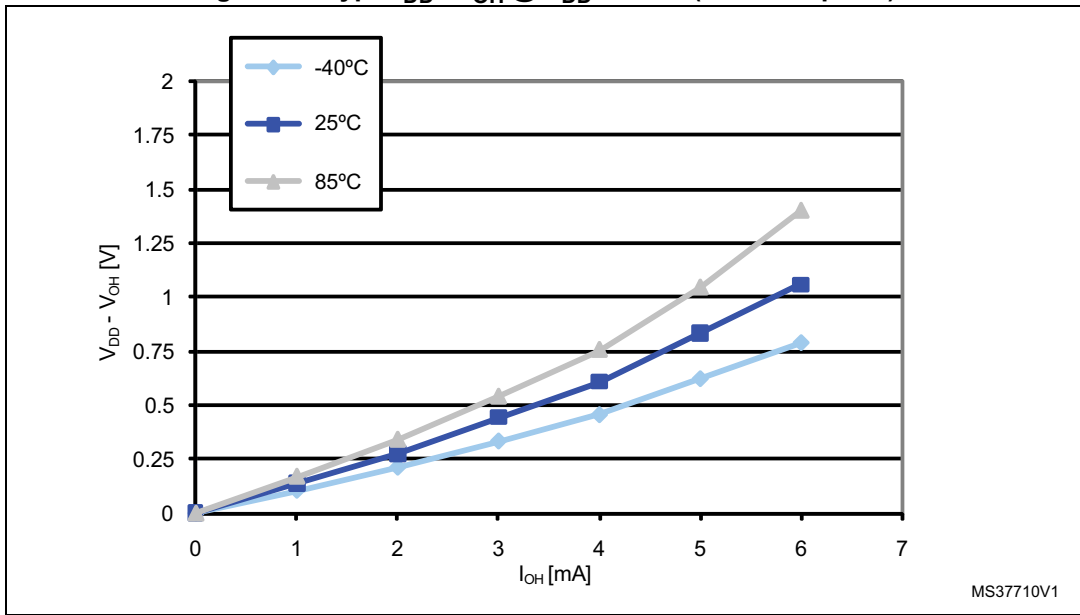


Figure 32. Typ. $V_{DD} - V_{OH}$ @ $V_{DD} = 5\text{ V}$ (high sink ports)

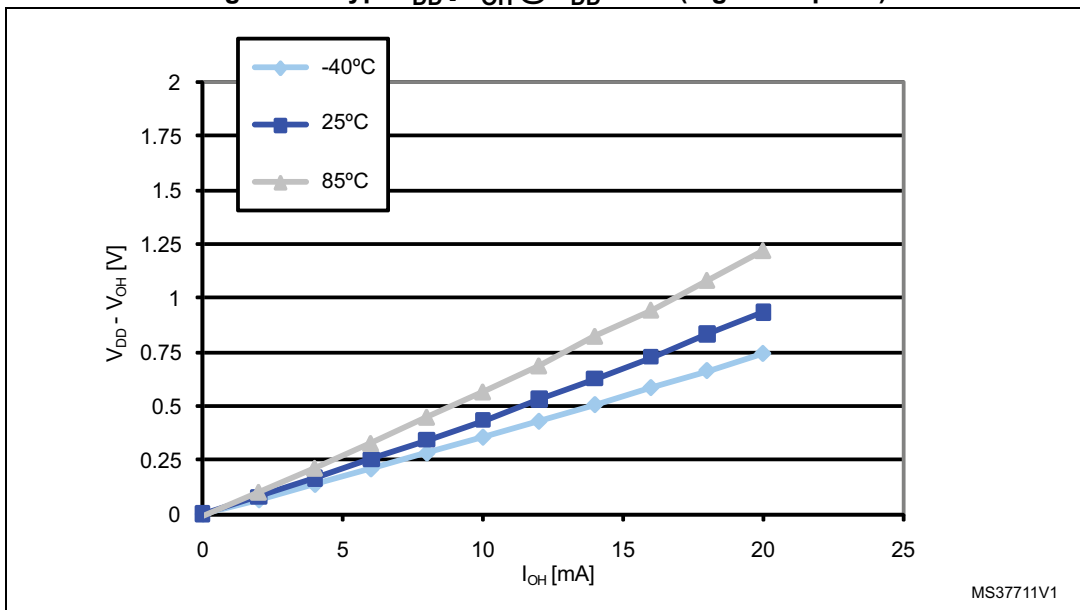
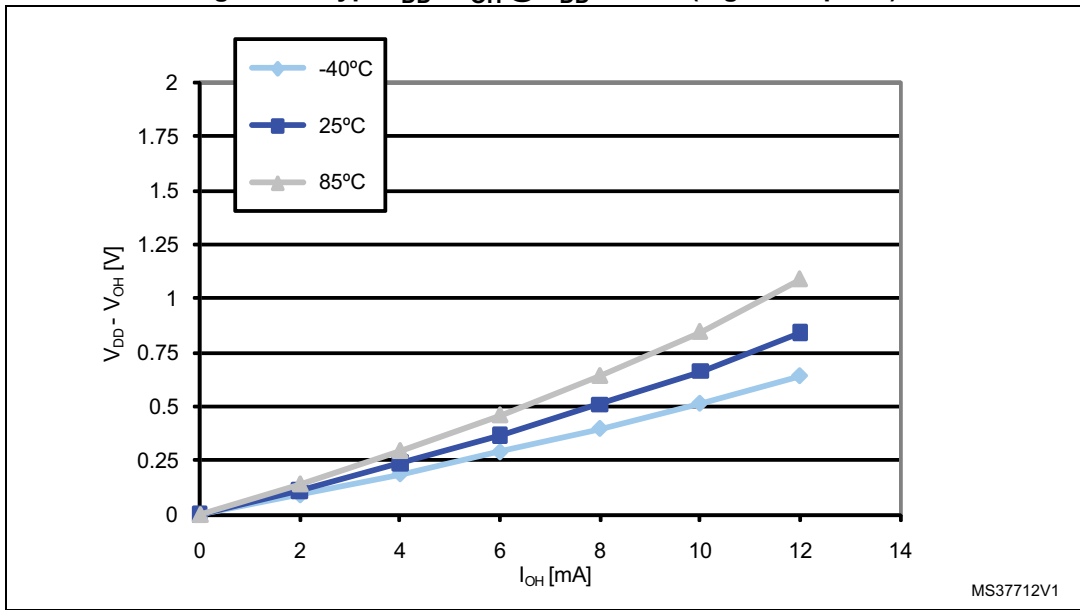


Figure 33. Typ. $V_{DD} - V_{OH}$ @ $V_{DD} = 3.3$ V (high sink ports)



9.3.7 Reset pin characteristics

Subject to general operating conditions for V_{DD} and T_A unless otherwise specified.

Table 40. NRST pin characteristics

| Symbol | Parameter | Conditions | Min | Typ ¹⁾ | Max | Unit |
|------------------|----------------------------------------------|-------------------------|---------------------|-------------------|---------------------|---------------|
| $V_{IL(NRST)}$ | NRST input low level voltage ⁽¹⁾ | - | -0.3 V | - | $0.3 \times V_{DD}$ | V |
| $V_{IH(NRST)}$ | NRST input high level voltage ⁽¹⁾ | - | $0.7 \times V_{DD}$ | - | $V_{DD} + 0.3$ | |
| $V_{OL(NRST)}$ | NRST output low level voltage ⁽¹⁾ | $I_{OL} = 2 \text{ mA}$ | - | - | 0.5 | |
| $R_{PU(NRST)}$ | NRST pull-up resistor ⁽²⁾ | - | 30 | 55 | 80 | k Ω |
| $t_{IFP(NRST)}$ | NRST input filtered pulse ⁽³⁾ | - | - | - | 75 | ns |
| $t_{INFP(NRST)}$ | NRST Input not filtered pulse ⁽³⁾ | - | 500 | - | - | ns |
| $t_{OP(NRST)}$ | NRST output pulse ⁽¹⁾ | - | 15 | - | - | μs |

1. Guaranteed by characterization results.
2. The R_{PU} pull-up equivalent resistor is based on a resistive transistor.
3. Data guaranteed by design.

Figure 34. Typical NRST V_{IL} and V_{IH} vs V_{DD} @ 3 temperatures

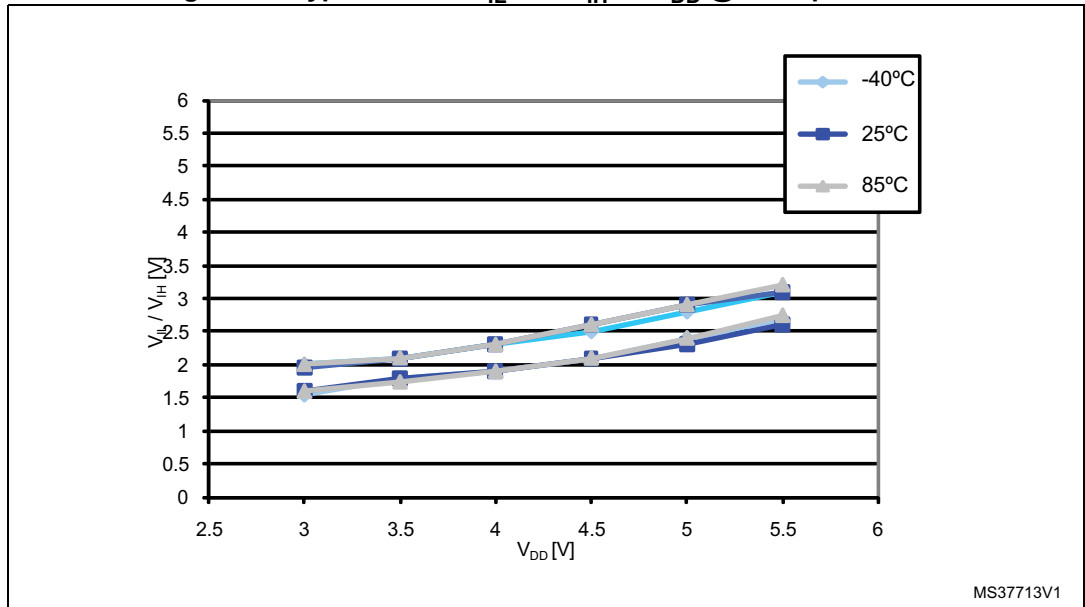


Figure 35. Typical NRST pull-up resistance vs V_{DD} @ 3 temperatures

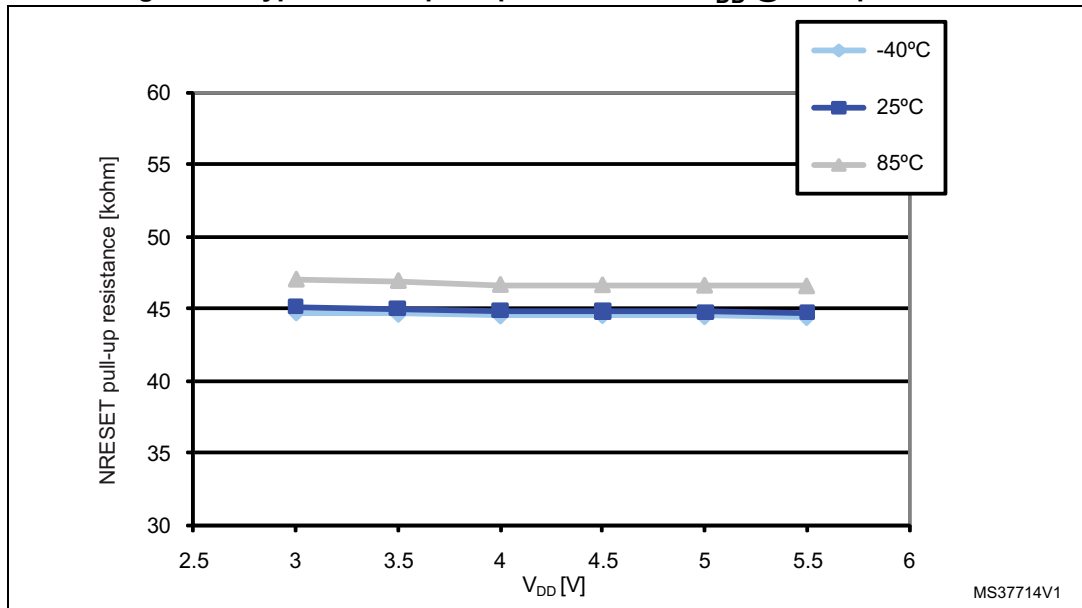
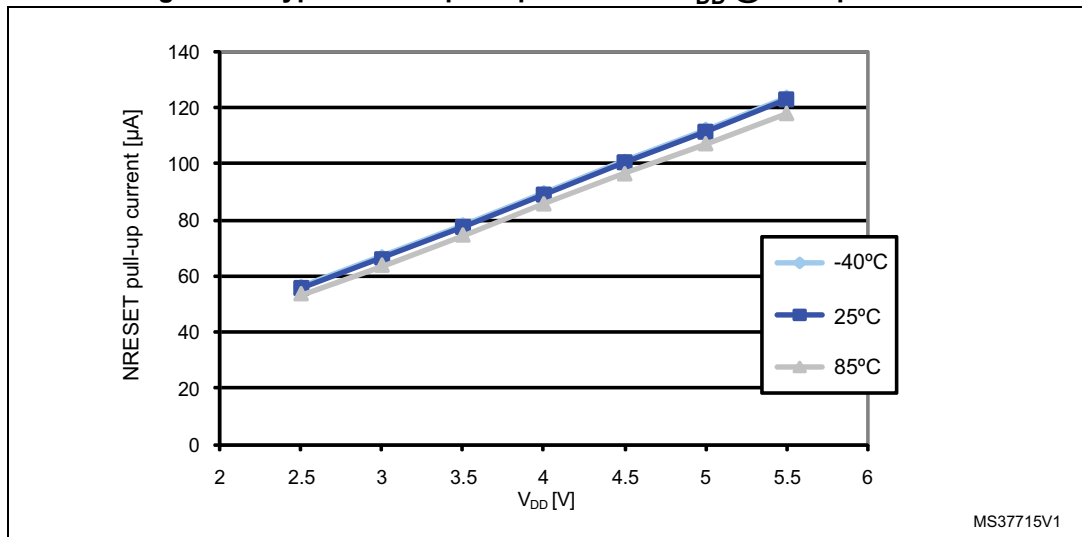
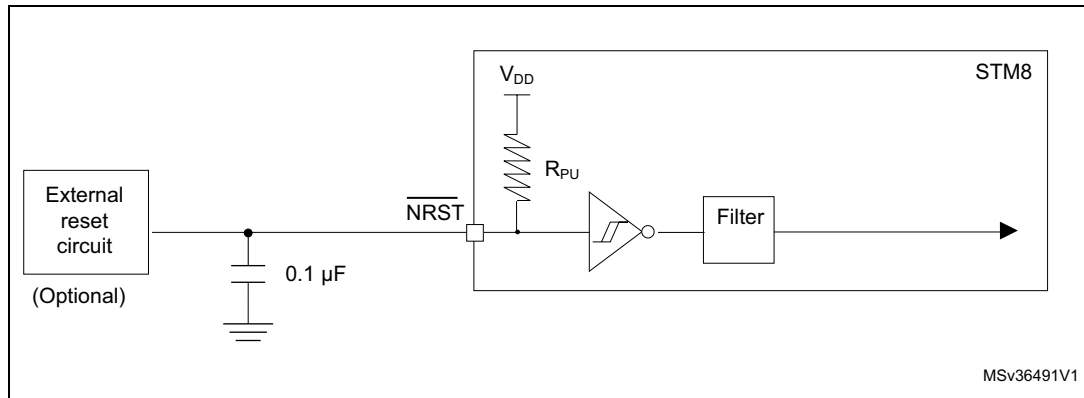


Figure 36. Typical NRST pull-up current vs V_{DD} @ 3 temperatures



The reset network shown in [Figure 37](#) protects the device against parasitic resets. The user must ensure that the level on the NRST pin can go below the V_{IL} max. level specified in [Table 36](#). Otherwise the reset is not taken into account internally. For power consumption sensitive applications, the capacity of the external reset capacitor can be reduced to limit charge/discharge current. If the NRST signal is used to reset the external circuitry, care must be taken of the charge/discharge time of the external capacitor to fulfill the external device’s reset timing conditions. The minimum recommended capacity is 10 nF.

Figure 37. Recommended reset pin protection



9.3.8 SPI serial peripheral interface

Unless otherwise specified, the parameters given in Table 41 are derived from tests performed under ambient temperature, f_{MASTER} frequency and V_{DD} supply voltage conditions. $t_{MASTER} = 1/f_{MASTER}$.

Refer to I/O port characteristics for more details on the input/output alternate function characteristics (NSS, SCK, MOSI, MISO).

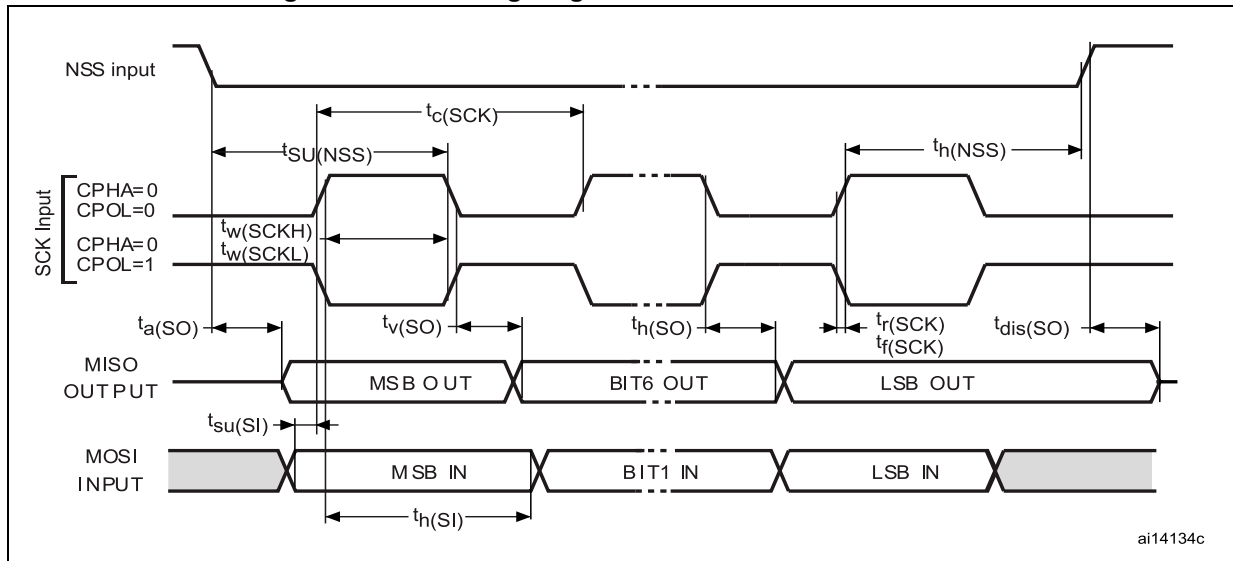
Table 41. SPI characteristics

| Symbol | Parameter | Conditions | Min | Max | Unit |
|--------------------------------------------|------------------------------|---------------------------------|-----------------------|-----------------------|------|
| f_{SCK} $1/t_c(SCK)$ | SPI clock frequency | Master mode | 0 | 8 | MHz |
| | | Slave mode | 0 | 6 | |
| $t_{r(SCK)}$ $t_{f(SCK)}$ | SPI clock rise and fall time | Capacitive load: C = 30 pF | - | 25 | ns |
| $t_{su(NSS)}^{(1)}$ | NSS setup time | Slave mode | $4 \times t_{MASTER}$ | - | |
| $t_{h(NSS)}^{(1)}$ | NSS hold time | Slave mode | 70 | - | |
| $t_{w(SCKH)}^{(1)}$ $t_{w(SCKL)}^{(1)}$ | SCK high and low time | Master mode | $t_{SCK}/2 - 15$ | $t_{SCK}/2 + 15$ | |
| $t_{su(MI)}^{(1)}$ $t_{su(SI)}^{(1)}$ | Data input setup time | Master mode | 5 | - | |
| | | Slave mode | 5 | - | |
| $t_{h(MI)}^{(1)}$ $t_{h(SI)}^{(1)}$ | Data input hold time | Master mode | 7 | - | |
| | | Slave mode | 10 | - | |
| $t_{a(SO)}^{(1)(2)}$ | Data output access time | Slave mode | - | $3 \times t_{MASTER}$ | |
| $t_{dis(SO)}^{(1)(3)}$ | Data output disable time | Slave mode | 25 | - | |
| $t_{v(SO)}^{(1)}$ | Data output valid time | Slave mode (after enable edge) | - | 73 | |
| $t_{v(MO)}^{(1)}$ | Data output valid time | Master mode (after enable edge) | - | 36 | |
| $t_{h(SO)}^{(1)}$ $t_{h(MO)}^{(1)}$ | Data output hold time | Slave mode (after enable edge) | 28 | - | |
| | | Master mode (after enable edge) | 12 | - | |

1. Values based on design simulation and/or characterization results, and not tested in production.
2. Min time is for the minimum time to drive the output and the max time is for the maximum time to validate the data.

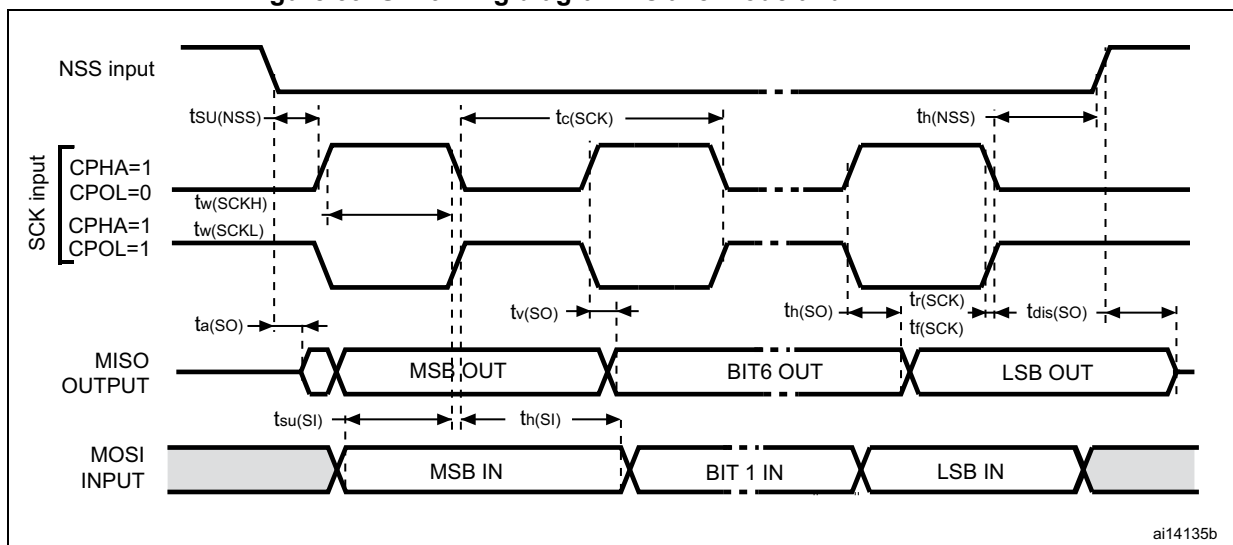
- Min time is for the minimum time to invalidate the output and the max time is for the maximum time to put the data in Hi-Z.

Figure 38. SPI timing diagram - slave mode and CPHA = 0



ai14134c

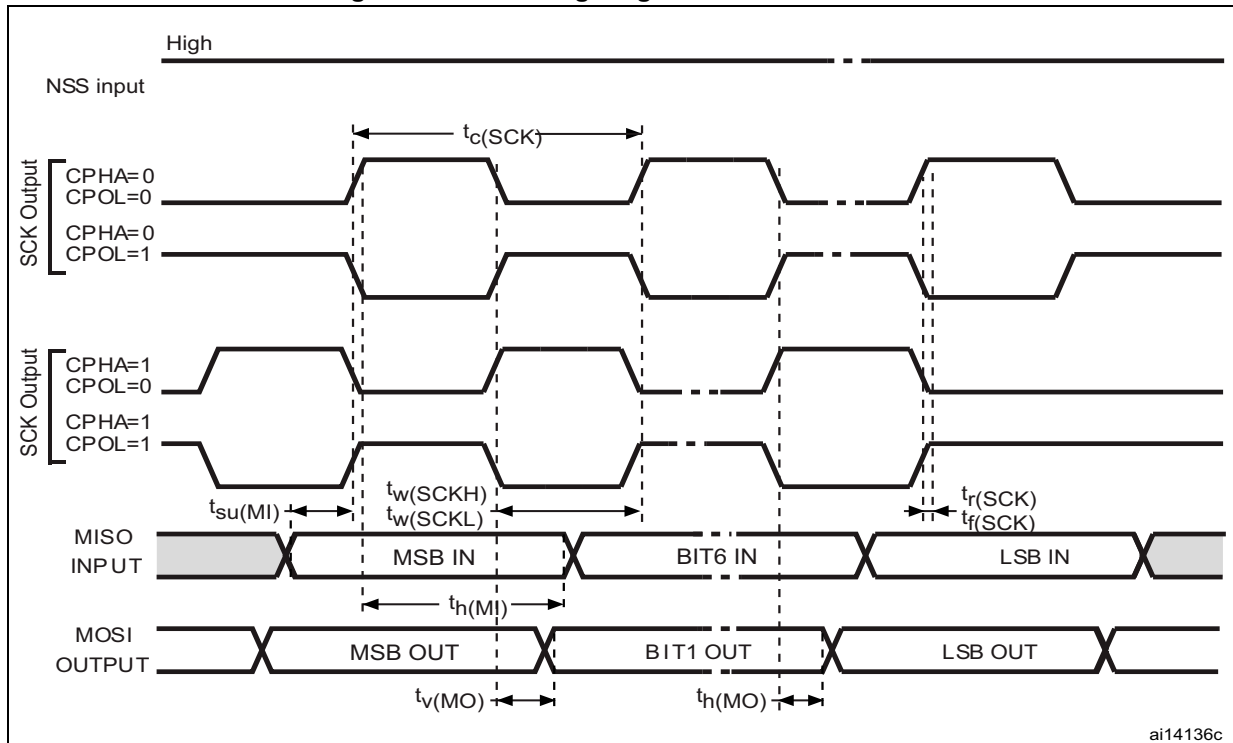
Figure 39. SPI timing diagram - slave mode and CPHA = 1⁽¹⁾



ai14135b

- Measurement points are done at CMOS levels: $0.3 V_{DD}$ and $0.7 V_{DD}$.

Figure 40. SPI timing diagram - master mode⁽¹⁾



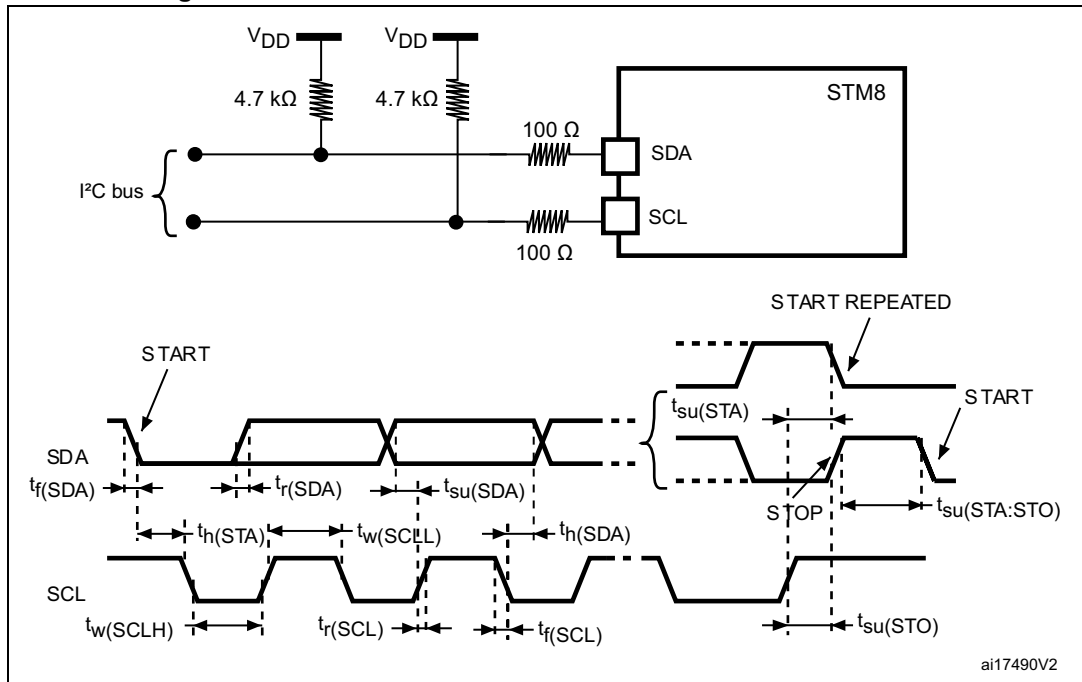
1. Measurement points are done at CMOS levels: $0.3 V_{DD}$ and $0.7 V_{DD}$.

9.3.9 I²C interface characteristicsTable 42. I²C characteristics

| Symbol | Parameter | Standard mode I ² C | | Fast mode I ² C ⁽¹⁾ | | Unit |
|--------------------------------------------|-----------------------------------------|--------------------------------|--------------------|-------------------------------------------|--------------------|------|
| | | Min ⁽²⁾ | Max ⁽²⁾ | Min ⁽²⁾ | Max ⁽²⁾ | |
| t _{w(SCLL)} | SCL clock low time | 4.7 | - | 1.3 | - | μs |
| t _{w(SCLH)} | SCL clock high time | 4.0 | - | 0.6 | - | |
| t _{su(SDA)} | SDA setup time | 250 | - | 100 | - | ns |
| t _{h(SDA)} | SDA data hold time | 0 ⁽³⁾ | - | 0 ⁽⁴⁾ | 900 ⁽³⁾ | |
| t _{r(SDA)} t _{r(SCL)} | SDA and SCL rise time | - | 1000 | - | 300 | |
| t _{f(SDA)} t _{f(SCL)} | SDA and SCL fall time | - | 300 | - | 300 | |
| t _{h(STA)} | START condition hold time | 4.0 | - | 0.6 | - | μs |
| t _{su(STA)} | Repeated START condition setup time | 4.7 | - | 0.6 | - | |
| t _{su(STO)} | STOP condition setup time | 4.0 | - | 0.6 | - | μs |
| t _{w(STO:STA)} | STOP to START condition time (bus free) | 4.7 | - | 1.3 | - | μs |
| C _b | Capacitive load for each bus line | - | 400 | - | 400 | pF |

1. f_{MASTER}, must be at least 8 MHz to achieve max fast I²C speed (400kHz)
2. Data based on standard I²C protocol requirement, not tested in production
3. The maximum hold time of the start condition has only to be met if the interface does not stretch the low time
4. The device must internally provide a hold time of at least 300 ns for the SDA signal in order to bridge the undefined region of the falling edge of SCL

Figure 41. Typical application with I²C bus and timing diagram



1. Measurement points are made at CMOS levels: 0.3 x V_{DD} and 0.7 x V_{DD}

9.3.10 10-bit ADC characteristics

Subject to general operating conditions for V_{DDA} , f_{MASTER} , and T_A unless otherwise specified.

Table 43. ADC characteristics

| Symbol | Parameter | Conditions | Min | Typ | Max | Unit |
|-------------|--------------------------------------------------------------------|------------------------------------------------|---------------------|------|--------------------|-------------|
| f_{ADC} | ADC clock frequency | $V_{DDA} = 3$ to 5.5 V | 1 | - | 4 | MHz |
| | | $V_{DDA} = 4.5$ to 5.5 V | 1 | - | 6 | |
| V_{DDA} | Analog supply | - | 3 | - | 5.5 | V |
| V_{REF+} | Positive reference voltage | - | 2.75 ⁽¹⁾ | - | V_{DDA} | V |
| V_{REF-} | Negative reference voltage | - | V_{SSA} | - | 0.5 ⁽¹⁾ | V |
| V_{AIN} | Conversion voltage range ⁽²⁾ | - | V_{SSA} | - | V_{DDA} | V |
| | | Devices with external V_{REF+}/V_{REF-} pins | V_{REF-} | - | V_{REF+} | V |
| C_{ADC} | Internal sample and hold capacitor | - | - | 3 | - | pF |
| $t_S^{(2)}$ | Sampling time | $f_{ADC} = 4$ MHz | - | 0.75 | - | μ s |
| | | $f_{ADC} = 6$ MHz | - | 0.5 | - | |
| t_{STAB} | Wakeup time from standby | - | - | 7 | - | μ s |
| t_{CONV} | Total conversion time (including sampling time, 10-bit resolution) | $f_{ADC} = 4$ MHz | 3.5 | | | μ s |
| | | $f_{ADC} = 6$ MHz | 2.33 | | | μ s |
| | | - | 14 | | | $1/f_{ADC}$ |

1. Guaranteed by design.

2. During the sample time the input capacitance C_{AIN} (3 pF max) can be charged/discharged by the external source. The internal resistance of the analog source must allow the capacitance to reach its final voltage level within t_S . After the end of the sample time t_S , changes of the analog input voltage have no effect on the conversion result. Values for the sample clock t_S depend on programming.

Table 44. ADC accuracy with $R_{AIN} < 10\text{ k}\Omega$, $V_{DDA} = 5\text{ V}$

| Symbol | Parameter | Conditions | Typ | Max ⁽¹⁾ | Unit |
|----------------|---------------------------------------------|--------------------------|-----|--------------------|------|
| E _T | Total unadjusted error ⁽²⁾ | f _{ADC} = 2 MHz | 1.0 | 2.5 | LSB |
| | | f _{ADC} = 4 MHz | 1.4 | 3 | |
| | | f _{ADC} = 6 MHz | 1.6 | 3.5 | |
| E _O | Offset error ⁽²⁾ | f _{ADC} = 2 MHz | 0.6 | 2.0 | |
| | | f _{ADC} = 4 MHz | 1.1 | 2.5 | |
| | | f _{ADC} = 6 MHz | 1.2 | 2.5 | |
| E _G | Gain error ⁽²⁾ | f _{ADC} = 2 MHz | 0.2 | 2 | |
| | | f _{ADC} = 4 MHz | 0.6 | 2.5 | |
| | | f _{ADC} = 6 MHz | 0.8 | 2.5 | |
| E _D | Differential linearity error ⁽²⁾ | f _{ADC} = 2 MHz | 0.7 | 1.5 | |
| | | f _{ADC} = 4 MHz | 0.7 | 1.5 | |
| | | f _{ADC} = 6 MHz | 0.8 | 1.5 | |
| E _L | Integral linearity error ⁽²⁾ | f _{ADC} = 2 MHz | 0.6 | 1.5 | |
| | | f _{ADC} = 4 MHz | 0.6 | 1.5 | |
| | | f _{ADC} = 6 MHz | 0.6 | 1.5 | |

1. Guaranteed by characterization results.
2. ADC accuracy vs. negative injection current: Injecting negative current on any of the analog input pins should be avoided as this significantly reduces the accuracy of the conversion being performed on another analog input. It is recommended to add a Schottky diode (pin to ground) to standard analog pins which may potentially inject negative current. Any positive injection current within the limits specified for I_{INJ(PIN)} and ΣI_{INJ(PIN)} in [Section 9.3.6](#) does not affect the ADC accuracy.

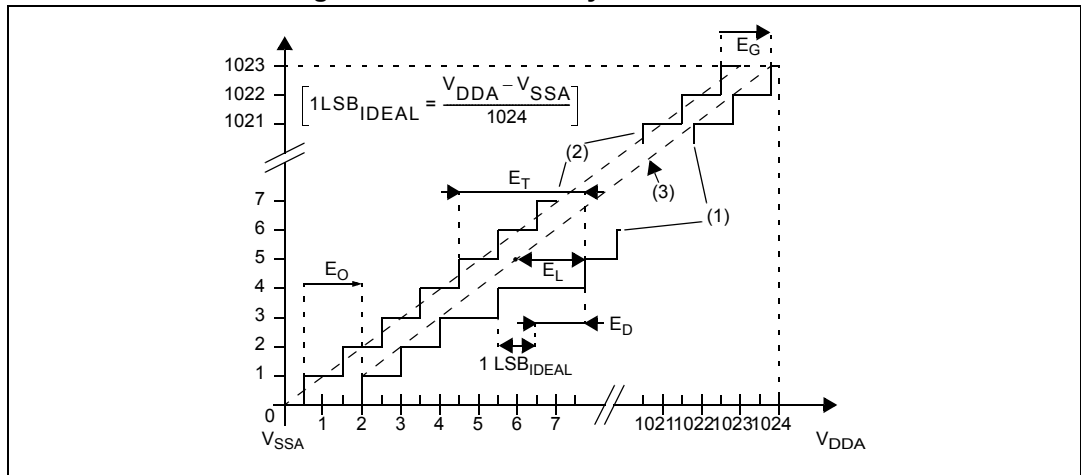
Table 45. ADC accuracy with $R_{AIN} < 10\text{ k}\Omega$, $V_{DDA} = 3.3\text{ V}$

| Symbol | Parameter | Conditions | Typ | Max ⁽¹⁾ | Unit |
|----------------|---------------------------------------------|--------------------------|-----|--------------------|------|
| E _T | Total unadjusted error ⁽²⁾ | f _{ADC} = 2 MHz | 1.1 | 2.0 | LSB |
| | | f _{ADC} = 4 MHz | 1.6 | 2.5 | |
| E _O | Offset error ⁽²⁾ | f _{ADC} = 2 MHz | 0.7 | 1.5 | |
| | | f _{ADC} = 4 MHz | 1.3 | 2.0 | |
| E _G | Gain error ⁽²⁾ | f _{ADC} = 2 MHz | 0.2 | 1.5 | |
| | | f _{ADC} = 4 MHz | 0.5 | 2.0 | |
| E _D | Differential linearity error ⁽²⁾ | f _{ADC} = 2 MHz | 0.7 | 1.0 | |
| | | f _{ADC} = 4 MHz | 0.7 | 1.0 | |
| E _L | Integral linearity error ⁽²⁾ | f _{ADC} = 2 MHz | 0.6 | 1.5 | |
| | | f _{ADC} = 4 MHz | 0.6 | 1.5 | |

1. Guaranteed by characterization results.

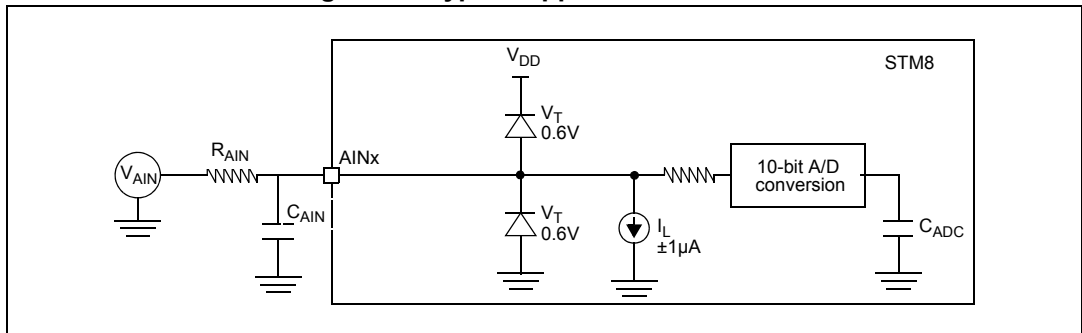
2. ADC accuracy vs. negative injection current: Injecting negative current on any of the analog input pins should be avoided as this significantly reduces the accuracy of the conversion being performed on another analog input. It is recommended to add a Schottky diode (pin to ground) to standard analog pins which may potentially inject negative current. Any positive injection current within the limits specified for $I_{\text{INJ(PIN)}}$ and $\Sigma I_{\text{INJ(PIN)}}$ in [Section 9.3.6](#) does not affect the ADC accuracy.

Figure 42. ADC accuracy characteristics



1. Example of an actual transfer curve.
 2. The ideal transfer curve
 3. End point correlation line
- E_T** = Total unadjusted error: maximum deviation between the actual and the ideal transfer curves.
E_O = Offset error: deviation between the first actual transition and the first ideal one.
E_G = Gain error: deviation between the last ideal transition and the last actual one.
E_D = Differential linearity error: maximum deviation between actual steps and the ideal one.
E_L = Integral linearity error: maximum deviation between any actual transition and the end point correlation line.

Figure 43. Typical application with ADC



9.3.11 EMC characteristics

Susceptibility tests are performed on a sample basis during product characterization.

Functional EMS (electromagnetic susceptibility)

While executing a simple application (toggling 2 LEDs through I/O ports), the product is stressed by two electromagnetic events until a failure occurs (indicated by the LEDs).

- **ESD:** Electrostatic discharge (positive and negative) is applied on all pins of the device until a functional disturbance occurs. This test conforms with the IEC 61000-4-2 standard.
- **FTB:** A burst of fast transient voltage (positive and negative) is applied to V_{DD} and V_{SS} through a 100 pF capacitor, until a functional disturbance occurs. This test conforms with the IEC 61000-4-4 standard.

A device reset allows normal operations to be resumed. The test results are given in the table below based on the EMS levels and classes defined in application note AN1709.

Designing hardened software to avoid noise problems

EMC characterization and optimization are performed at component level with a typical application environment and simplified MCU software. It should be noted that good EMC performance is highly dependent on the user application and the software in particular.

Therefore it is recommended that the user applies EMC software optimization and prequalification tests in relation with the EMC level requested for his application.

Software recommendations

The software flowchart must include the management of runaway conditions such as:

- Corrupted program counter
- Unexpected reset
- Critical data corruption (control registers...)

Prequalification trials

Most of the common failures (unexpected reset and program counter corruption) can be recovered by applying a low state on the NRST pin or the oscillator pins for 1 second.

To complete these trials, ESD stress can be applied directly on the device, over the range of specification values. When unexpected behavior is detected, the software can be hardened to prevent unrecoverable errors occurring (see application note AN1015).

Table 46. EMS data

| Symbol | Parameter | Conditions | Level/class |
|------------|----------------------------------------------------------------------------------------------------------------------------------|-----------------------------------------------------------------------------------------------------------------------------|-------------------|
| V_{FESD} | Voltage limits to be applied on any I/O pin to induce a functional disturbance | $V_{DD} = 5\text{ V}$, $T_A = 25\text{ }^\circ\text{C}$, $f_{MASTER} = 16\text{ MHz}$, conforming to IEC 61000-4-2 | 2B ⁽¹⁾ |
| V_{EFTB} | Fast transient voltage burst limits to be applied through 100pF on V_{DD} and V_{SS} pins to induce a functional disturbance | $V_{DD} = 5\text{ V}$, $T_A = 25\text{ }^\circ\text{C}$, $f_{MASTER} = 16\text{ MHz}$, conforming to IEC 61000-4-4 | 4A ⁽¹⁾ |

1. Data obtained with HSI clock configuration, after applying HW recommendations described in AN2860 - EMC guidelines for STM8Smicrocontrollers.

Electromagnetic interference (EMI)

Emission tests conform to the IEC 61967-2 standard for test software, board layout and pin loading.

Table 47. EMI data

| Symbol | Parameter | Conditions | | | | Unit |
|-----------|------------|--------------------------------------------------------------------------------------|--------------------------|-----------------------------|--------------|------------|
| | | General conditions | Monitored frequency band | Max $f_{HSE}/f_{CPU}^{(1)}$ | | |
| | | | | 8 MHz/8 MHz | 8 MHz/16 MHz | |
| S_{EMI} | Peak level | $V_{DD} = 5 V$ $T_A = 25 ^\circ C$ LQFP48 package conforming to IEC 61967-2 | 0.1 MHz to 30 MHz | 13 | 14 | dB μ V |
| | | | 30 MHz to 130 MHz | 23 | 19 | |
| | | | 130 MHz to 1 GHz | -4.0 | -4.0 | |
| | EMI level | - | 2.0 | 1.5 | - | |

1. Guaranteed by characterization results.

Absolute maximum ratings (electrical sensitivity)

Based on two different tests (ESD and LU) using specific measurement methods, the product is stressed in order to determine its performance in terms of electrical sensitivity. For more details, refer to the application note AN1181.

Electrostatic discharge (ESD)

Electrostatic discharges (three positive then three negative pulses separated by 1 second) are applied to the pins of each sample according to each pin combination. The sample size depends on the number of supply pins in the device (3 parts*(n+1) supply pin). This test conforms to the JESD22-A114A/A115A standard. For more details, refer to the application note AN1181.

Table 48. ESD absolute maximum ratings

| Symbol | Ratings | Conditions | Class | Maximum value ⁽¹⁾ | Unit |
|----------------|-------------------------------------------------------|------------------------------------------------|-------|------------------------------|------|
| $V_{ESD(HBM)}$ | Electrostatic discharge voltage (Human body model) | $T_A = 25^\circ C$, conforming to JESD22-A114 | A | 2000 | V |
| $V_{ESD(CDM)}$ | Electrostatic discharge voltage (Charge device model) | $T_A = 25^\circ C$, conforming to JESD22-C101 | IV | 1000 | V |

1. Guaranteed by characterization results.

Static latch-up

Two complementary static tests are required on 10 parts to assess the latch-up performance:

- A supply overvoltage (applied to each power supply pin)
- A current injection (applied to each input, output and configurable I/O pin) is performed on each sample.

This test conforms to the EIA/JESD 78 IC latch-up standard. For more details, refer to the application note AN1181.

Table 49. Electrical sensitivities

| Symbol | Parameter | Conditions | Class ⁽¹⁾ |
|--------|-----------------------|------------------------|----------------------|
| LU | Static latch-up class | T _A = 25 °C | A |
| | | T _A = 85 °C | A |

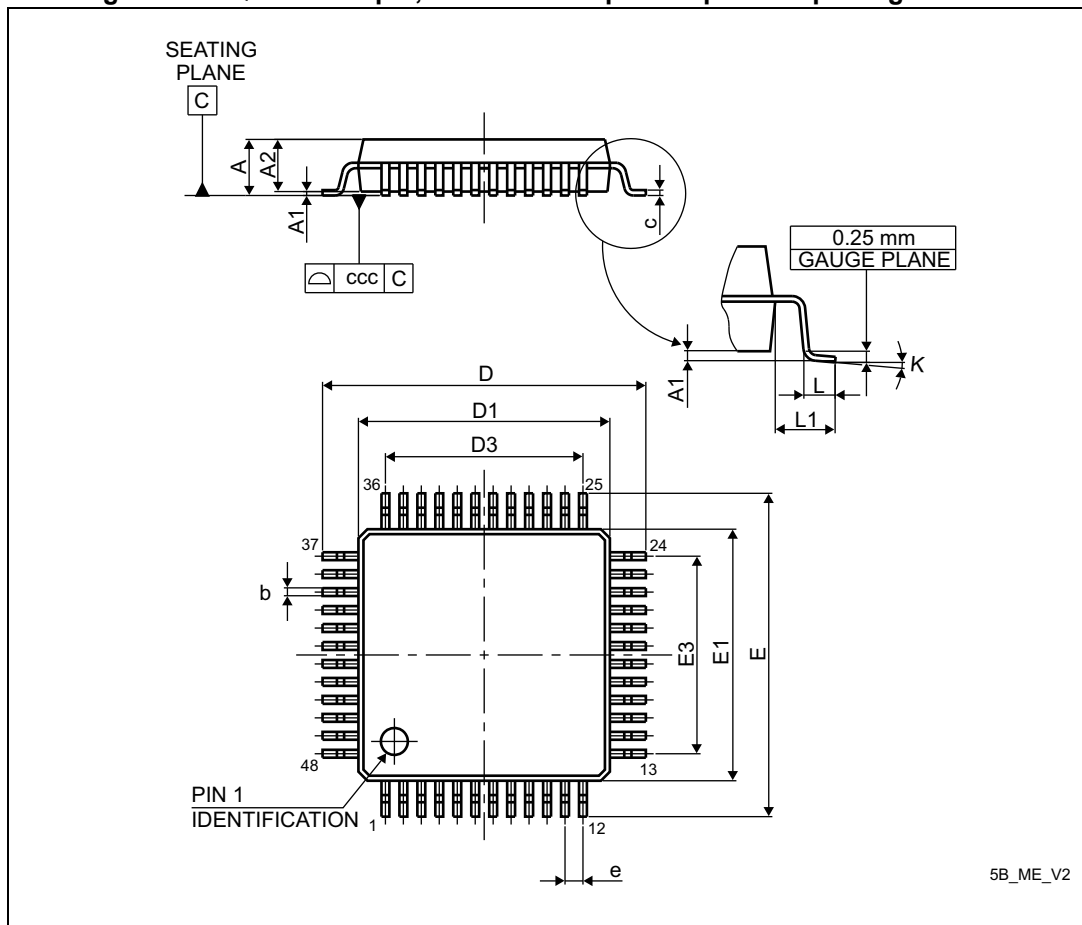
1. Class description: A Class is an STMicroelectronics internal specification. All its limits are higher than the JEDEC specifications, that means when a device belongs to class A it exceeds the JEDEC standard. B class strictly covers all the JEDEC criteria (international standard).

10 Package information

In order to meet environmental requirements, ST offers these devices in different grades of ECOPACK® packages, depending on their level of environmental compliance. ECOPACK® specifications, grade definitions and product status are available at: www.st.com. ECOPACK® is an ST trademark.

10.1 LQFP48 package information

Figure 44. LQFP48 - 48-pin, 7 x 7 mm low-profile quad flat package outline



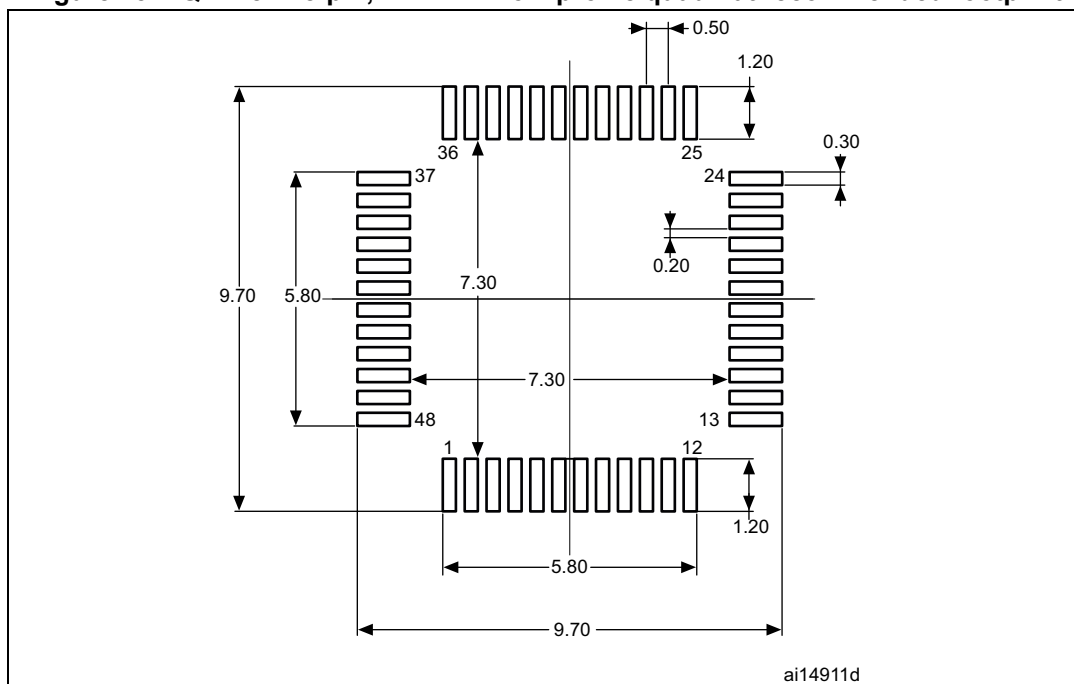
1. Drawing is not to scale.

Table 50. LQFP48 - 48-pin, 7 x 7 mm low-profile quad flat package mechanical data

| Symbol | millimeters | | | inches ⁽¹⁾ | | |
|--------|-------------|-------|-------|-----------------------|--------|--------|
| | Min | Typ | Max | Min | Typ | Max |
| A | - | - | 1.600 | - | - | 0.0630 |
| A1 | 0.050 | - | 0.150 | 0.0020 | - | 0.0059 |
| A2 | 1.350 | 1.400 | 1.450 | 0.0531 | 0.0551 | 0.0571 |
| b | 0.170 | 0.220 | 0.270 | 0.0067 | 0.0087 | 0.0106 |
| c | 0.090 | - | 0.200 | 0.0035 | - | 0.0079 |
| D | 8.800 | 9.000 | 9.200 | 0.3465 | 0.3543 | 0.3622 |
| D1 | 6.800 | 7.000 | 7.200 | 0.2677 | 0.2756 | 0.2835 |
| D3 | - | 5.500 | - | - | 0.2165 | - |
| E | 8.800 | 9.000 | 9.200 | 0.3465 | 0.3543 | 0.3622 |
| E1 | 6.800 | 7.000 | 7.200 | 0.2677 | 0.2756 | 0.2835 |
| E3 | - | 5.500 | - | - | 0.2165 | - |
| e | - | 0.500 | - | - | 0.0197 | - |
| L | 0.450 | 0.600 | 0.750 | 0.0177 | 0.0236 | 0.0295 |
| L1 | - | 1.000 | - | - | 0.0394 | - |
| k | 0° | 3.5° | 7° | 0° | 3.5° | 7° |
| ccc | - | - | 0.080 | - | - | 0.0031 |

1. Values in inches are converted from mm and rounded to 4 decimal digits.

Figure 45. LQFP48 - 48-pin, 7 x 7 mm low-profile quad flat recommended footprint



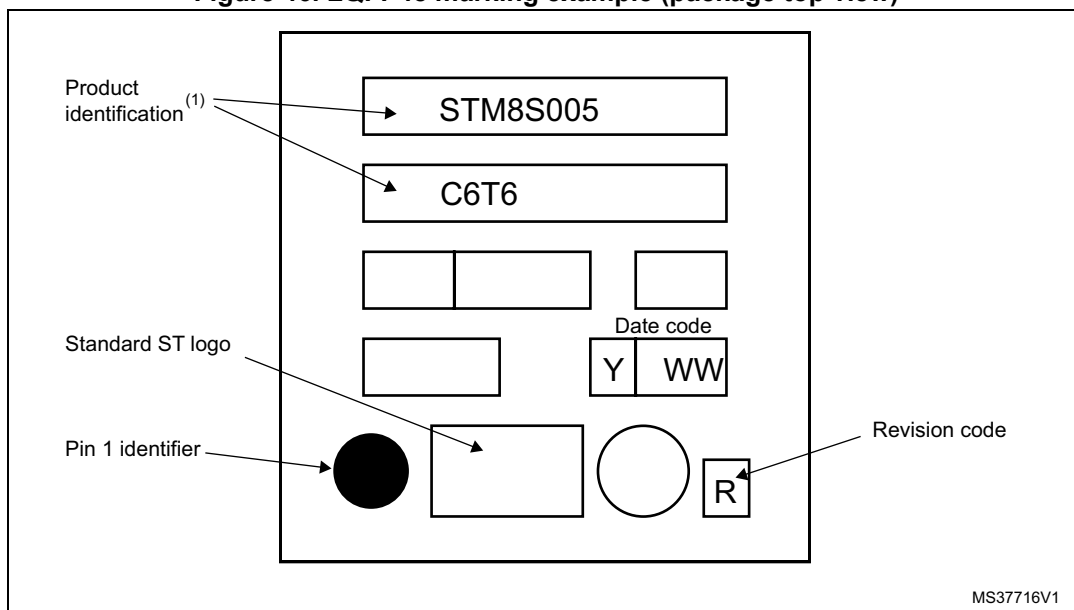
1. Dimensions are expressed in millimeters.

Device marking for LQFP48

The following figure gives an example of topside marking orientation versus pin 1 identifier location.

Other optional marking or inset/upset marks, which identify the parts throughout supply chain operations, are not indicated below.

Figure 46. LQFP48 marking example (package top view)

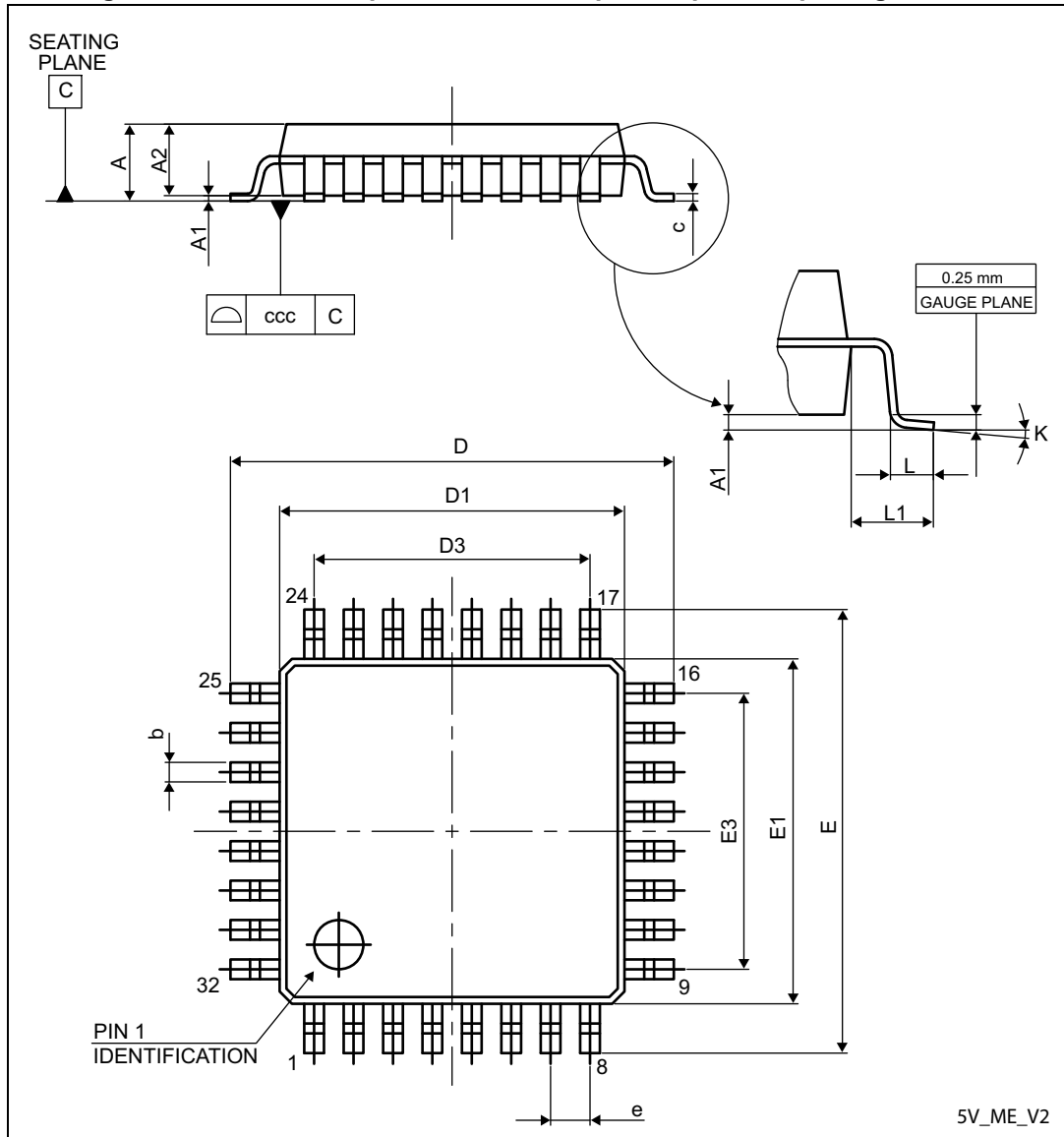


1. 1. Parts marked as ES or E or accompanied by an Engineering Sample notification letter are not yet

qualified and therefore not approved for use in production. ST is not responsible for any consequences resulting from such use. In no event will ST be liable for the customer using any of these engineering samples in production. ST's Quality department must be contacted prior to any decision to use these engineering samples to run a qualification activity.

10.2 LQFP32 package information

Figure 47. LQFP32 - 32-pin, 7 x 7 mm low-profile quad flat package outline



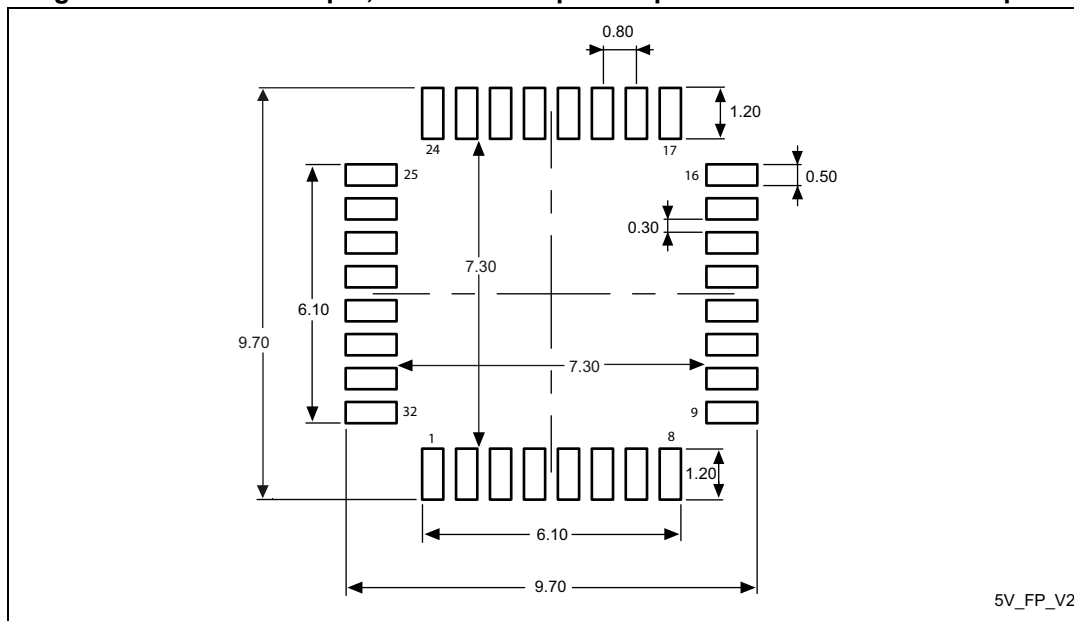
1. Drawing is not to scale.

Table 51. LQFP32 - 32-pin, 7 x 7 mm low-profile quad flat package mechanical data

| Symbol | millimeters | | | inches ⁽¹⁾ | | |
|--------|-------------|-------|-------|-----------------------|--------|--------|
| | Min | Typ | Max | Min | Typ | Max |
| A | - | - | 1.600 | - | - | 0.0630 |
| A1 | 0.050 | - | 0.150 | 0.0020 | - | 0.0059 |
| A2 | 1.350 | 1.400 | 1.450 | 0.0531 | 0.0551 | 0.0571 |
| b | 0.300 | 0.370 | 0.450 | 0.0118 | 0.0146 | 0.0177 |
| c | 0.090 | - | 0.200 | 0.0035 | - | 0.0079 |
| D | 8.800 | 9.000 | 9.200 | 0.3465 | 0.3543 | 0.3622 |
| D1 | 6.800 | 7.000 | 7.200 | 0.2677 | 0.2756 | 0.2835 |
| D3 | - | 5.600 | - | - | 0.2205 | - |
| E | 8.800 | 9.000 | 9.200 | 0.3465 | 0.3543 | 0.3622 |
| E1 | 6.800 | 7.000 | 7.200 | 0.2677 | 0.2756 | 0.2835 |
| E3 | - | 5.600 | - | - | 0.2205 | - |
| e | - | 0.800 | - | - | 0.0315 | - |
| L | 0.450 | 0.600 | 0.750 | 0.0177 | 0.0236 | 0.0295 |
| L1 | - | 1.000 | - | - | 0.0394 | - |
| k | 0° | 3.5° | 7° | 0° | 3.5° | 7° |
| ccc | - | - | 0.100 | - | - | 0.0039 |

1. Values in inches are converted from mm and rounded to 4 decimal digits.

Figure 48. LQFP32 - 32-pin, 7 x 7 mm low-profile quad flat recommended footprint



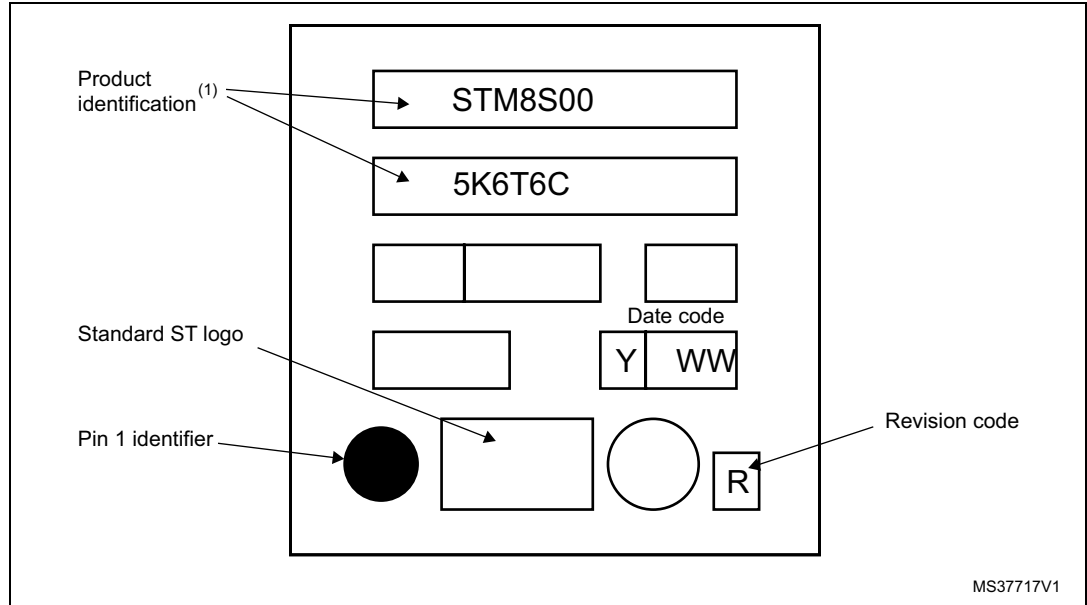
1. Dimensions are expressed in millimeters.

Device marking for LQFP32

The following figure gives an example of topside marking orientation versus pin 1 identifier location.

Other optional marking or inset/upset marks, which identify the parts throughout supply chain operations, are not indicated below.

Figure 49. LQFP32 marking example (package top view)



1. Parts marked as "ES", "E" or accompanied by an Engineering Sample notification letter, are not yet qualified and therefore not yet ready to be used in production and any consequences deriving from such usage will not be at ST charge. In no event, ST will be liable for any customer usage of these engineering samples in production. ST Quality has to be contacted prior to any decision to use these Engineering Samples to run qualification activity.

10.3 Thermal characteristics

The maximum chip junction temperature (T_{Jmax}) must never exceed the values given in [Table 17: General operating conditions](#).

The maximum chip-junction temperature, T_{Jmax} , in degrees Celsius, may be calculated using the following equation:

$$T_{Jmax} = T_{Amax} + (P_{Dmax} \times \Theta_{JA})$$

Where:

- T_{Amax} is the maximum ambient temperature in °C
- Θ_{JA} is the package junction-to-ambient thermal resistance in °C/W
- P_{Dmax} is the sum of P_{INTmax} and $P_{I/Omax}$ ($P_{Dmax} = P_{INTmax} + P_{I/Omax}$)
- P_{INTmax} is the product of I_{DD} and V_{DD} , expressed in Watts. This is the maximum chip internal power.
- $P_{I/Omax}$ represents the maximum power dissipation on output pins, where:
 $P_{I/Omax} = \Sigma (V_{OL} * I_{OL}) + \Sigma ((V_{DD} - V_{OH}) * I_{OH})$, and taking account of the actual V_{OL}/I_{OL} and V_{OH}/I_{OH} of the I/Os at low and high level in the application.

Table 52. Thermal characteristics⁽¹⁾

| Symbol | Parameter | Value | Unit |
|---------------|-----------------------------------------------------------|-------|------|
| Θ_{JA} | Thermal resistance junction-ambient LQFP 48 - 7 x 7 mm | 57 | °C/W |
| | Thermal resistance junction-ambient LQFP 32 - 7 x 7 mm | 60 | |

1. Thermal resistances are based on JEDEC JESD51-2 with 4-layer PCB in a natural convection environment.

10.3.1 Reference document

JESD51-2 integrated circuits thermal test method environment conditions - natural convection (still air). Available from www.jedec.org.

10.3.2 Selecting the product temperature range

When ordering the microcontroller, the temperature range is specified in the order code (see [Figure 50: STM8S005C6/K6 value line ordering information scheme^{\(1\)}](#)).

The following example shows how to calculate the temperature range needed for a given application.

Assuming the following application conditions:

- Maximum ambient temperature $T_{Amax} = 82\text{ °C}$ (measured according to JESD51-2)
- $I_{DDmax} = 15\text{ mA}$, $V_{DD} = 5.5\text{ V}$
- Maximum eight standard I/Os used at the same time in output at low level with $I_{OL} = 10\text{ mA}$, $V_{OL} = 2\text{ V}$
- Maximum four high sink I/Os used at the same time in output at low level with $I_{OL} = 20\text{ mA}$, $V_{OL} = 1.5\text{ V}$
- Maximum two true open drain I/Os used at the same time in output at low level with $I_{OL} = 20\text{ mA}$, $V_{OL} = 2\text{ V}$

$$P_{INTmax} = 15\text{ mA} \times 5.5\text{ V} = 82.5\text{ mW}$$

$$P_{IOmax} = (10\text{ mA} \times 2\text{ V} \times 8) + (20\text{ mA} \times 2\text{ V} \times 2) + (20\text{ mA} \times 1.5\text{ V} \times 4) = 360\text{ mW}$$

This gives: $P_{INTmax} = 82.5\text{ mW}$ and $P_{IOmax} = 360\text{ mW}$:

$$P_{Dmax} = 82.5\text{ mW} + 360\text{ mW}$$

$$\text{Thus: } P_{Dmax} = 443\text{ mW}$$

Using the values obtained in [Table 52: Thermal characteristics on page 93](#) T_{Jmax} is calculated as follows for LQFP64 10 x 10 mm = 46 °C/W :

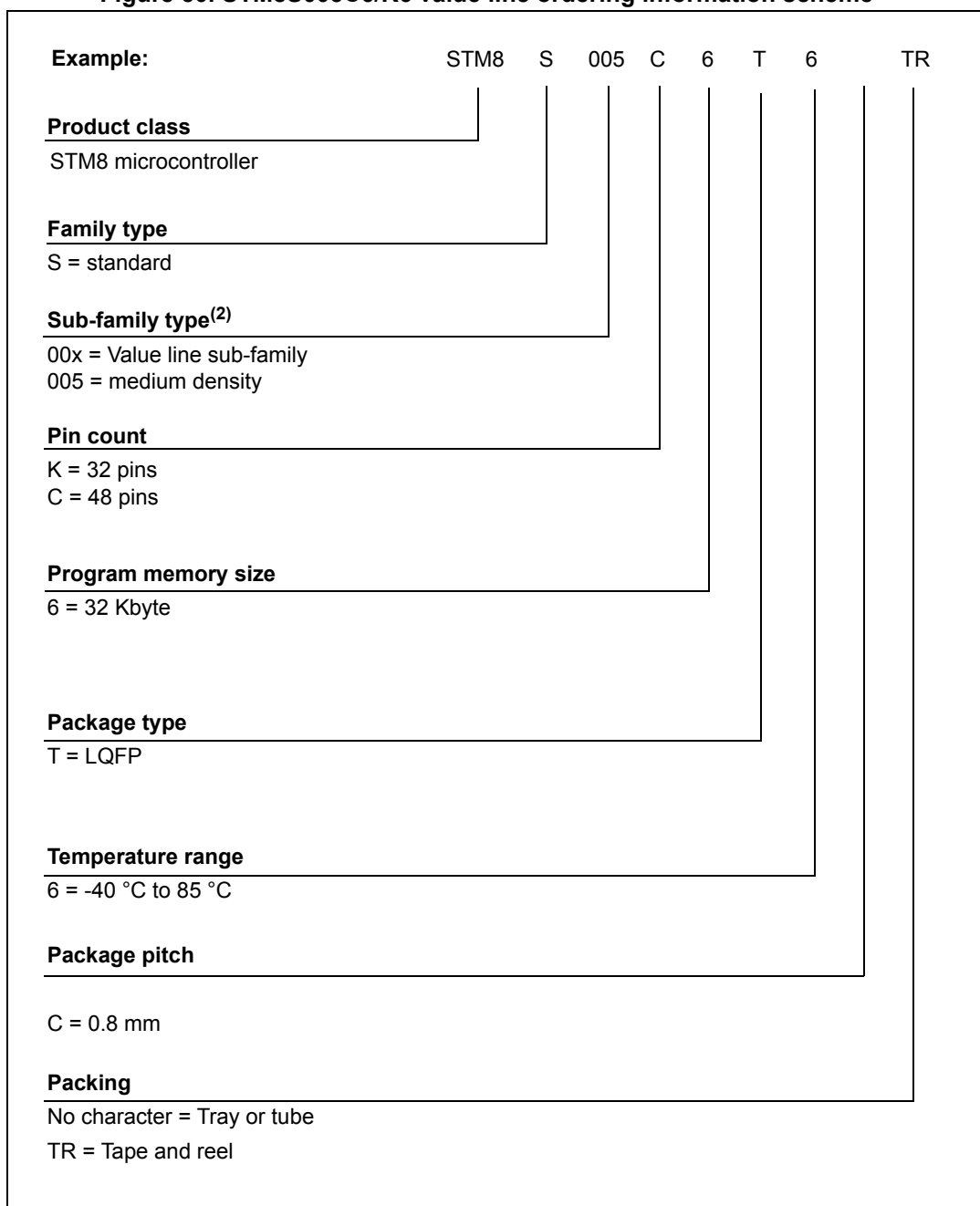
$$T_{Jmax} = 82\text{ °C} + (46\text{ °C/W} \times 443\text{ mW}) = 82\text{ °C} + 20\text{ °C} = 102\text{ °C}$$

This is within the range of the suffix 6 version parts ($-40 < T_J < 105\text{ °C}$).

In this case, parts must be ordered at least with the temperature range suffix 6.

11 Ordering information

Figure 50. STM8S005C6/K6 value line ordering information scheme⁽¹⁾



1. For a list of available options (such as memory size and package) and orderable part numbers or for further information on any aspect of this device, please go to www.st.com or contact the ST Sales Office nearest to you.
2. Refer to [Table 1: STM8S005C6/K6 value line features](#) for detailed description.

12 STM8 development tools

Development tools for the STM8 microcontrollers include the full-featured STice emulation system supported by a complete software tool package including C compiler, assembler and integrated development environment with high-level language debugger. In addition, the STM8 is to be supported by a complete range of tools including starter kits, evaluation boards and a low-cost in-circuit debugger/programmer.

12.1 Emulation and in-circuit debugging tools

The STice emulation system offers a complete range of emulation and in-circuit debugging features on a platform that is designed for versatility and cost-effectiveness. In addition, STM8 application development is supported by a low-cost in-circuit debugger/programmer.

The STice is the fourth generation of full featured emulators from STMicroelectronics. It offers new advanced debugging capabilities including profiling and coverage to help detect and eliminate bottlenecks in application execution and dead code when fine tuning an application.

In addition, STice offers in-circuit debugging and programming of STM8 microcontrollers via the STM8 single wire interface module (SWIM), which allows non-intrusive debugging of an application while it runs on the target microcontroller.

For improved cost effectiveness, STice is based on a modular design that allows users to order exactly what they need to meet their development requirements and to adapt their emulation system to support existing and future ST microcontrollers.

STice key features

- Occurrence and time profiling and code coverage (new features)
- Advanced breakpoints with up to 4 levels of conditions
- Data breakpoints
- Program and data trace recording up to 128 KB records
- Read/write on the fly of memory during emulation
- In-circuit debugging/programming via SWIM protocol
- 8-bit probe analyzer
- 1 input and 2 output triggers
- Power supply follower managing application voltages between 1.62 to 5.5 V
- Modularity that allows users to specify the components users need to meet their development requirements and adapt to future requirements
- Supported by free software tools that include integrated development environment (IDE), programming software interface and assembler for STM8.

12.2 Software tools

STM8 development tools are supported by a complete, free software package from STMicroelectronics that includes ST Visual Develop (STVD) IDE and the ST Visual Programmer (STVP) software interface. STVD provides seamless integration of the Cosmic and Raisonance C compilers for STM8. A free version that outputs up to 16 Kbytes of code is available.

12.2.1 STM8 toolset

STM8 toolset with STVD integrated development environment and STVP programming software is available for free download at www.st.com. This package includes:

ST Visual Develop – Full-featured integrated development environment from ST, featuring

- Seamless integration of C and ASM toolsets
- Full-featured debugger
- Project management
- Syntax highlighting editor
- Integrated programming interface
- Support of advanced emulation features for STIce such as code profiling and coverage

ST Visual Programmer (STVP) – Easy-to-use, unlimited graphical interface allowing read, write and verify the user STM8 microcontroller Flash program memory, data EEPROM and option bytes. STVP also offers project mode for saving programming configurations and automating programming sequences.

12.2.2 C and assembly toolchains

Control of C and assembly toolchains is seamlessly integrated into the STVD integrated development environment, making it possible to configure and control the building of user application directly from an easy-to-use graphical interface.

Available toolchains include:

- **Cosmic C compiler for STM8** – One free version that outputs up to 16 Kbytes of code is available. For more information, see www.cosmic-software.com.
- **Raisonance C compiler for STM8** – One free version that outputs up to 16 Kbytes of code. For more information, see www.raisonance.com.
- **STM8 assembler linker** – Free assembly toolchain included in the STVD toolset, which allows users to assemble and link the user application source code.

12.3 Programming tools

During the development cycle, STIce provides in-circuit programming of the STM8 Flash microcontroller on user application board via the SWIM protocol. Additional tools are to include a low-cost in-circuit programmer as well as ST socket boards, which provide dedicated programming platforms with sockets for programming the user STM8.

For production environments, programmers will include a complete range of gang and automated programming solutions from third-party tool developers already supplying programmers for the STM8 family.

13 Revision history

Table 53. Document revision history

| Date | Revision | Changes |
|-------------|----------|------------------------------------------------------------------------------------------------------------------------------------------------------------------------------------------------------------------------------------------------------------------------------------------------------------------------------------------------------------------------------------------------------------|
| 14-Oct-2011 | 1 | Initial release. |
| 09-Jan-2012 | 2 | Updated: <ul style="list-style-type: none">– t_{RET} in Table 35: Flash program memory and data EEPROM,– R_{PU} in Table 40: NRST pin characteristics and Table 36: I/O static characteristics,– the notes related to V_{CAP} in Section 9.3: Operating conditions. |
| 13-Jun-2012 | 3 | Updated the temperature condition for factory calibrated ACC_{HSI} in Table 32: HSI oscillator characteristics . Changed SCK input to SCK output in Figure 40: SPI timing diagram - master mode⁽¹⁾ . |

Table 53. Document revision history

| Date | Revision | Changes |
|-------------|----------|------------------------------------------------------------------------------------------------------------------------------------------------------------------------------------------------------------------------------------------------------------------------------------------------------------------------------------------------------------------------------------------------------------------------------------------------------------------------------------------------------------------------------------------------------------------------------------------------------------------------------------------------------------------------------------------------------------------------------------------------------------------------------------------------------------------------------------------------------------------------------------------------------------------------------------------------------------------------------------------------------------------------------------------------------------------------------------------------------------------------------------------------------------------------------------------------------------------------------------------------------------------------------------------------------------------------------------------------------------------------------------------------------------------------------------------------------------------------------------------------------------------------------------------------------------------------------------------------------------------------------------------------------------------------------------------------------------------------------------------------------------------------------------------------------------------------------------------------------------------------------------------------------------------------------|
| 26-Mar-2015 | 4 | Updated: – the buffer size in Section 4.13: Analog-to-digital converter (ADC1) , – the disclaimer. Added: – the note to Power-on reset threshold in Table 18: Operating conditions at power-up/power-down , – Figure 46: LQFP48 marking example (package top view) , – Figure 49: LQFP32 marking example (package top view) . |
| 10-Sep-2018 | 5 | Updated – Footnotes in all tables from Section 9: Electrical characteristics – Titles of: Table 23: Total current consumption in active halt mode at $V_{DD} = 5\text{ V}$ Table 25: Total current consumption in halt mode at $V_{DD} = 5\text{ V}$ – Section 4.3: Interrupt controller – Section 4.4: Flash program memory and data EEPROM – Section 9.2: Absolute maximum ratings – Section 9.3.2: Supply current characteristics – Section 12.2.2: C and assembly toolchains – Section : HSE crystal/ceramic resonator oscillator – Section : Device marking for LQFP48 – Section : Device marking for LQFP32 – Table 1: STM8S005C6/K6 value line features – Table 8: General hardware register map – Table 9: CPU/SWIM/debug module/interrupt controller registers – Table 11: Option bytes – Table 17: General operating conditions – Table 28: Total current consumption and timing in forced reset state – Table 32: HSI oscillator characteristics – Table 43: ADC characteristics – Table 47: EMI data – Figure 9: f_{CPUmax} versus V_{DD} – Figure 12: Typ. $I_{DD(RUN)}$ vs f_{CPU}, HSE user external clock, $V_{DD} = 5\text{ V}$ – Figure 14: Typ. $I_{DD(WFI)}$ vs f_{CPU}, HSE user external clock, $V_{DD} = 5\text{ V}$ – Figure 50: STM8S005C6/K6 value line ordering information scheme⁽¹⁾ |

IMPORTANT NOTICE – PLEASE READ CAREFULLY

STMicroelectronics NV and its subsidiaries ("ST") reserve the right to make changes, corrections, enhancements, modifications, and improvements to ST products and/or to this document at any time without notice. Purchasers should obtain the latest relevant information on ST products before placing orders. ST products are sold pursuant to ST's terms and conditions of sale in place at the time of order acknowledgement.

Purchasers are solely responsible for the choice, selection, and use of ST products and ST assumes no liability for application assistance or the design of Purchasers' products.

No license, express or implied, to any intellectual property right is granted by ST herein.

Resale of ST products with provisions different from the information set forth herein shall void any warranty granted by ST for such product.

ST and the ST logo are trademarks of ST. All other product or service names are the property of their respective owners.

Information in this document supersedes and replaces information previously supplied in any prior versions of this document.

© 2018 STMicroelectronics – All rights reserved