

Single Port Surface Mount RJ45 Connector
with Integrated Magnetics
for 10/100Base-TX NIC Applications



HY991101C

Electrical Specification @25°C

RoHS Compliant (PB Free)

Isolation: 1500Vrms (UTP Side to Chip Side)

OCL: 350uH Minimum @100KHz 100mV with 8mADC

Insertion Loss: -1.0dB Maximum @1MHz ~ 65MHz

Return Loss: -18dB Minimum @1MHz ~ 10MHz

-14dB Minimum @30MHz

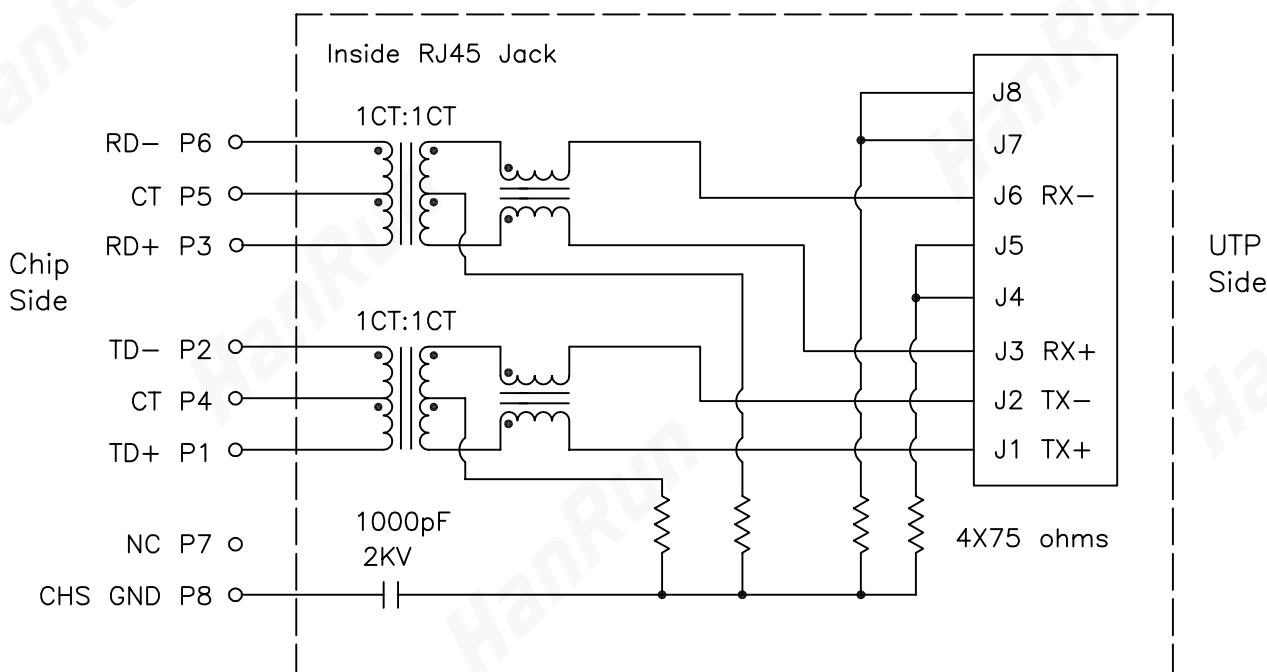
-10dB Minimum @60MHz ~ 80MHz

Common Mode Rejection: -20dB Minimum @1MHz ~ 130MHz

Crosstalk: -35dB Minimum @1MHz ~ 60MHz

-30dB Minimum @60MHz ~ 100MHz

Schematics

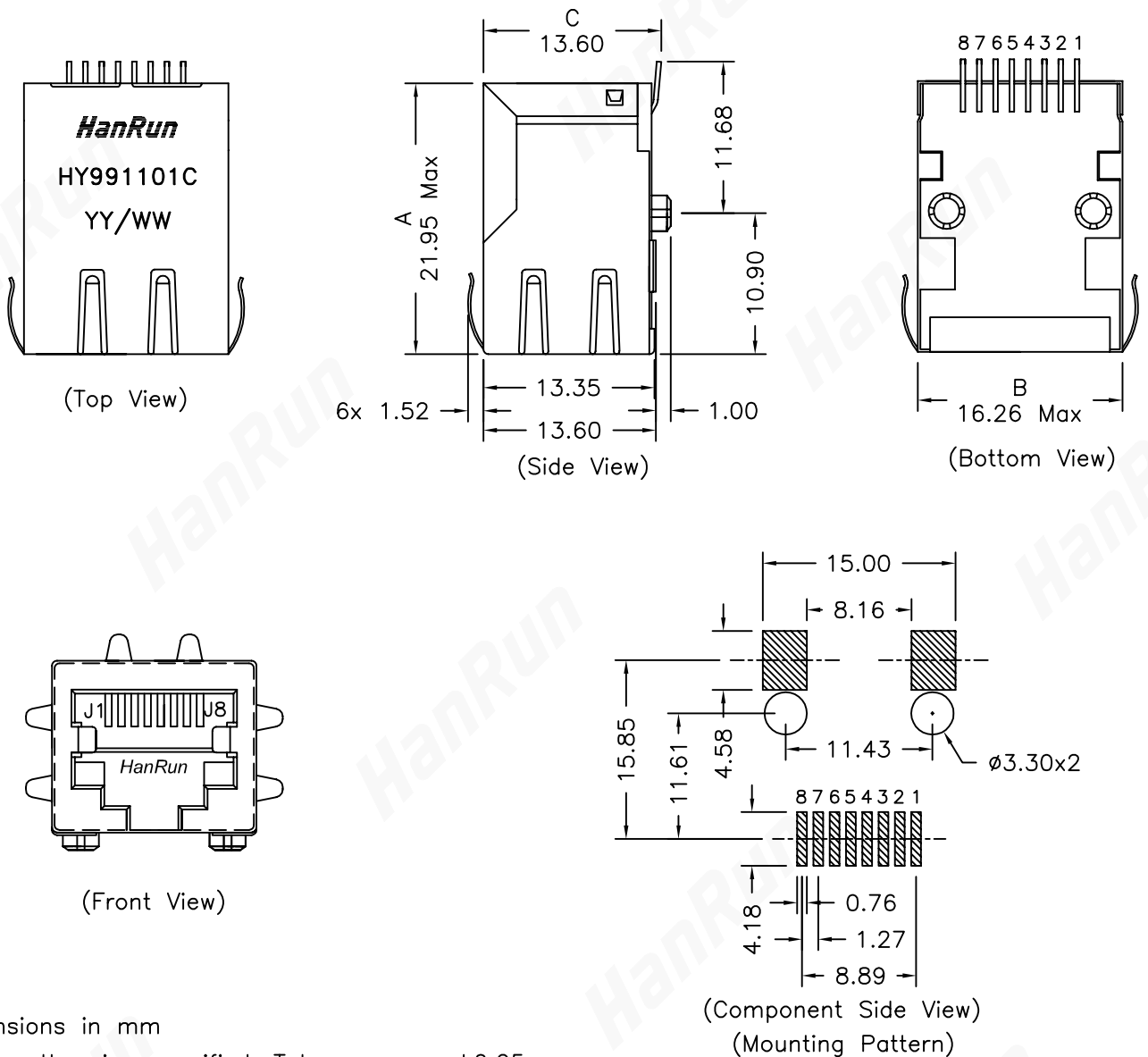


Notes: Connect CHS GND to PCB Ground

HY991101C

- RoHS Compliant (PB Free)
- Meets or Exceeds IEEE802.3 standards including 350uH Min OCL with 8mADC
- High performance for EMI suppression, Crosstalk, Return Loss and Consistent Electrical
- Minimum 1500Vrms isolation per IEEE802.3 requirement
- Minimize PCB space and Simplify PCB Layout
- Less magnetic components to be placed on PCB, higher reliability and yields

Mechanical Dimensions:



Dimensions in mm

Unless otherwise specified, Tolerance: .xx ± 0.25

REV.A/1 (2007/12/17)