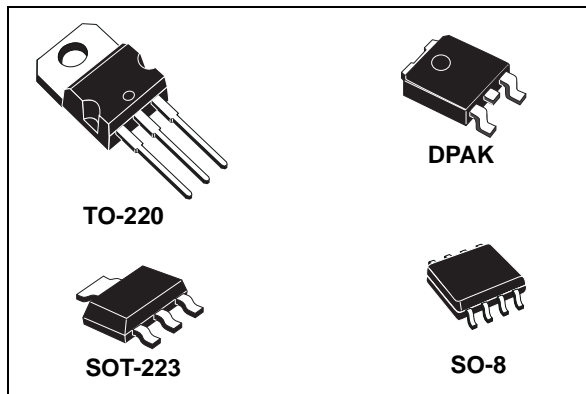


**Adjustable and fixed low drop positive voltage regulator**

Datasheet - production data

**Description**

The LD1117 is a low drop voltage regulator able to provide up to 800 mA of output current, available even in adjustable version ( $V_{REF} = 1.25\text{ V}$ ). Concerning fixed versions, are offered the following output voltages: 1.2 V, 1.8 V, 2.5 V, 2.85 V, 3.3 V and 5.0 V. The device is supplied in: SOT-223, DPAK, SO-8 and TO-220. The SOT-223 and DPAK surface mount packages optimize the thermal characteristics even offering a relevant space saving effect. High efficiency is assured by NPN pass transistor. In fact in this case, unlike than PNP one, the quiescent current flows mostly into the load. Only a very common 10  $\mu\text{F}$  minimum capacitor is needed for stability. On chip trimming allows the regulator to reach a very tight output voltage tolerance, within  $\pm 1\%$  at 25 °C. The adjustable LD1117 is pin to pin compatible with the other standard. Adjustable voltage regulators maintaining the better performances in terms of drop and tolerance.

**Features**

- Low dropout voltage (1 V typ.)
- 2.85 V device performances are suitable for SCSI-2 active termination
- Output current up to 800 mA
- Fixed output voltage of: 1.2 V, 1.8 V, 2.5 V, 3.3 V, 5.0 V
- Adjustable version availability ( $V_{REF} = 1.25\text{ V}$ )
- Internal current and thermal limit
- Available in  $\pm 1\%$  (at 25 °C) and 2 % in full temperature range
- Supply voltage rejection: 75 dB (typ.)

---

# Contents

1	Diagram .....	5
2	Pin configuration .....	6
3	Maximum ratings .....	7
4	Schematic application .....	8
5	Electrical characteristics .....	9
6	Typical application .....	21
7	LD1117 adjustable: application note .....	24
8	Package information .....	25
9	Packaging mechanical data .....	37
10	Order codes .....	43
11	Revision history .....	44

## List of tables

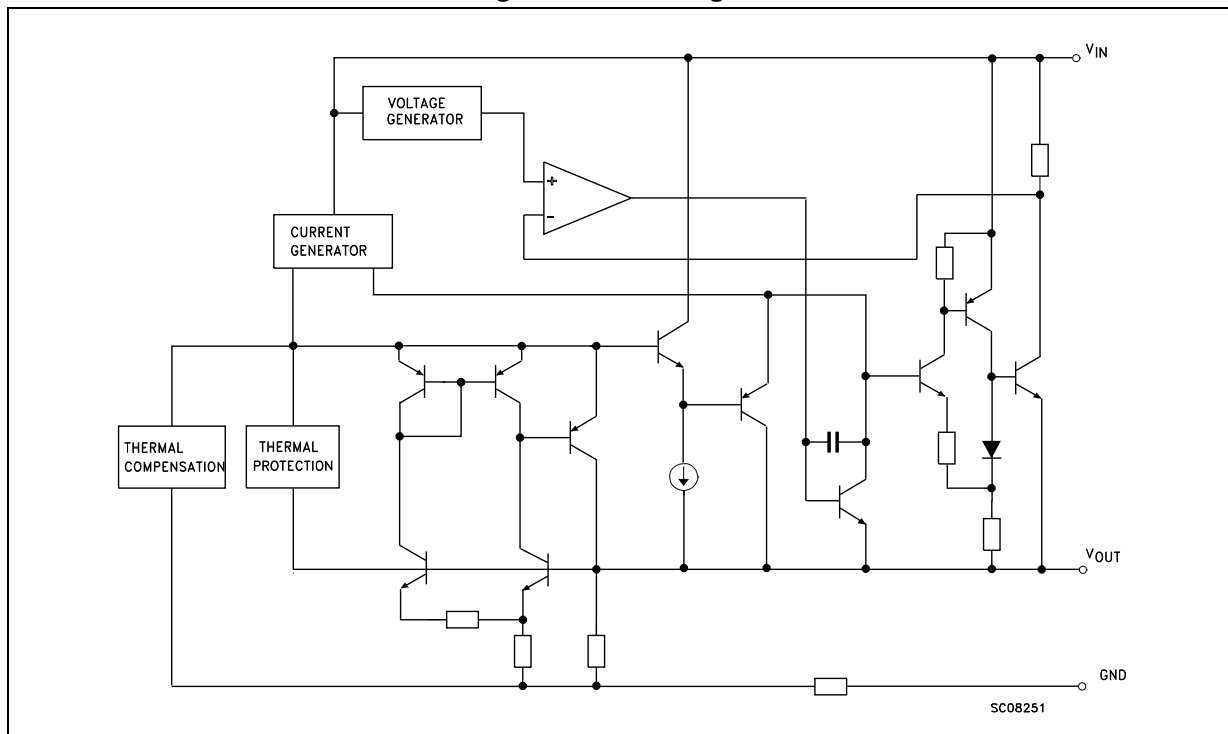
Table 1.	Absolute maximum ratings . . . . .	7
Table 2.	Thermal data . . . . .	7
Table 3.	Electrical characteristics of LD1117#12 . . . . .	9
Table 4.	Electrical characteristics of LD1117#18 . . . . .	10
Table 5.	Electrical characteristics of LD1117#25 . . . . .	11
Table 6.	Electrical characteristics of LD1117#33 . . . . .	12
Table 7.	Electrical characteristics of LD1117#50 . . . . .	13
Table 8.	Electrical characteristics of LD1117 (adjustable) . . . . .	14
Table 9.	Electrical characteristics of LD1117#12C . . . . .	15
Table 10.	Electrical characteristics of LD1117#18C . . . . .	16
Table 11.	Electrical characteristics of LD1117#25C . . . . .	17
Table 12.	Electrical characteristics of LD1117#33C . . . . .	18
Table 13.	Electrical characteristics of LD1117#50C . . . . .	19
Table 14.	Electrical characteristics of LD1117C (adjustable) . . . . .	20
Table 15.	TO-220 mechanical data (type STD-ST Dual Gauge) . . . . .	25
Table 16.	TO-220 mechanical data (type STD-ST Single Gauge) . . . . .	27
Table 17.	SOT-223 mechanical data . . . . .	29
Table 18.	SO-8 mechanical data . . . . .	30
Table 19.	DPAK (TO-252) mechanical data type A / E . . . . .	31
Table 20.	DPAK (TO-252) mechanical data type I . . . . .	35
Table 21.	Footprint data . . . . .	36
Table 22.	SOT-223 tape and reel mechanical data . . . . .	38
Table 23.	SO-8 tape and reel mechanical data . . . . .	40
Table 24.	DPAK tape and reel mechanical data . . . . .	41
Table 25.	Order codes . . . . .	43
Table 26.	Document revision history . . . . .	44

## List of figures

Figure 1.	Block diagram . . . . .	5
Figure 2.	Pin connections (top view) . . . . .	6
Figure 3.	Application circuit (for 1.2 V) . . . . .	8
Figure 4.	Application circuit (for other fixed output voltages) . . . . .	8
Figure 5.	Negative supply . . . . .	21
Figure 6.	Circuit for increasing output voltage . . . . .	21
Figure 7.	Voltage regulator with reference . . . . .	21
Figure 8.	Battery backed-up regulated supply . . . . .	22
Figure 9.	Post-regulated dual supply . . . . .	23
Figure 10.	Adjustable output voltage application . . . . .	24
Figure 11.	Adjustable output voltage application with improved ripple rejection . . . . .	24
Figure 12.	Drawing dimension TO-220 (type STD-ST Dual Gauge) . . . . .	26
Figure 13.	Drawing dimension TO-220 (type STD-ST Single Gauge) . . . . .	28
Figure 14.	Drawing dimension SOT-223 . . . . .	29
Figure 15.	Drawing dimension SO-8 . . . . .	30
Figure 16.	DPAK (TO-252) package outline A . . . . .	32
Figure 17.	DPAK (TO-252) package outline E . . . . .	33
Figure 18.	DPAK (TO-252) package outline I . . . . .	34
Figure 19.	DPAK footprint recommended data . . . . .	36
Figure 20.	Drawing dimension tube for TO-220 Dual Gauge (mm.) . . . . .	37
Figure 21.	Drawing dimension tube for TO-220 Single Gauge (mm.) . . . . .	37
Figure 22.	Tape for SOT-223 (dimensions are in mm) . . . . .	38
Figure 23.	Reel for SOT-223 (dimensions are in mm) . . . . .	39
Figure 24.	SO-8 tape and reel dimensions . . . . .	40
Figure 25.	Tape for DPAK . . . . .	42
Figure 26.	Reel for DPAK . . . . .	42

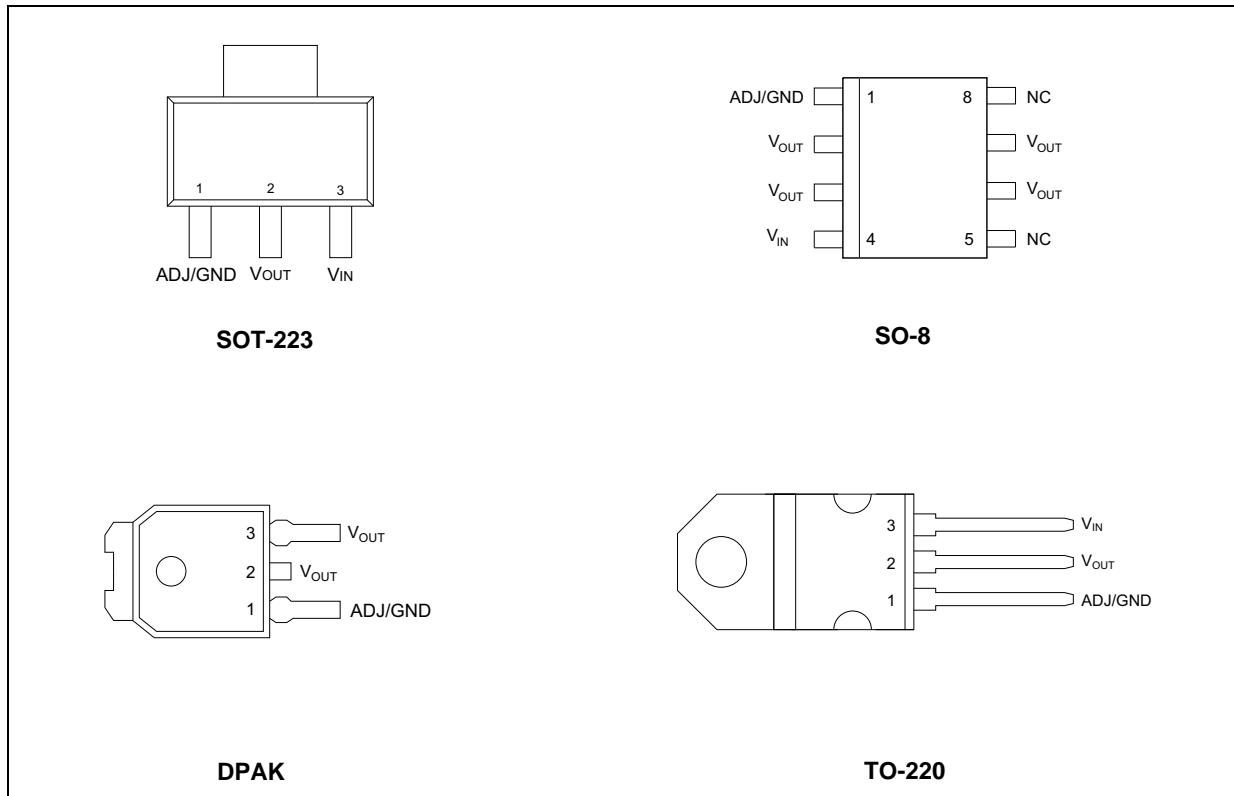
# 1 Diagram

Figure 1. Block diagram



## 2 Pin configuration

Figure 2. Pin connections (top view)



Note: The TAB is connected to the V<sub>OUT</sub>.

### 3 Maximum ratings

**Table 1. Absolute maximum ratings**

Symbol	Parameter	Value	Unit	
$V_{IN}^{(1)}$	DC input voltage	15	V	
$P_{TOT}$	Power dissipation	12	W	
$T_{STG}$	Storage temperature range	-40 to +150	°C	
$T_{OP}$	Operating junction temperature range	for C version	-40 to +125	°C
		for standard version	0 to +125	°C

1. Absolute maximum rating of  $V_{IN} = 18$  V, when  $I_{OUT}$  is lower than 20 mA.

**Table 2. Thermal data**

Symbol	Parameter	SOT-223	SO-8	DPAK	TO-220	Unit
$R_{thJC}$	Thermal resistance junction-case	15	20	8	5	°C/W
$R_{thJA}$	Thermal resistance junction-ambient	110	55	100	50	°C/W

## 4 Schematic application

Figure 3. Application circuit (for 1.2 V)

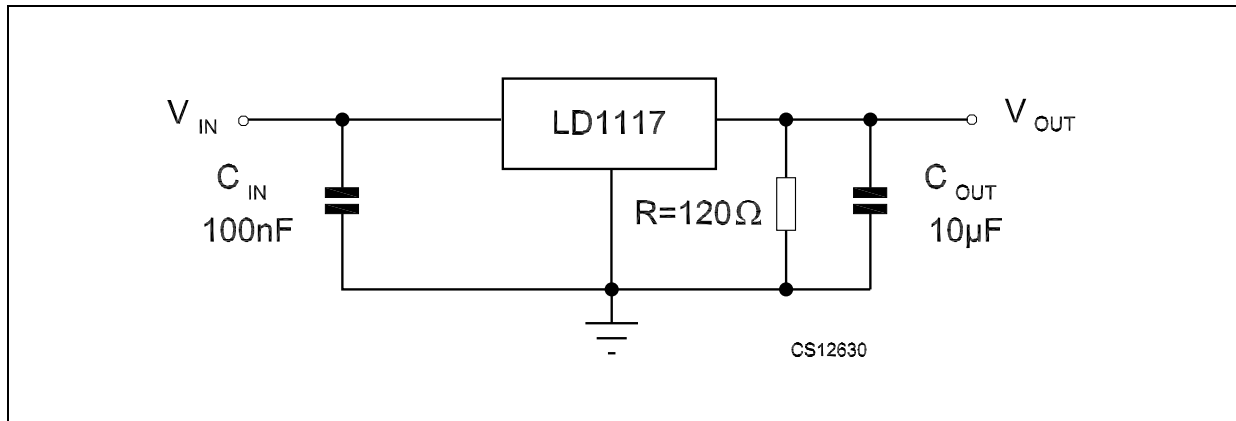
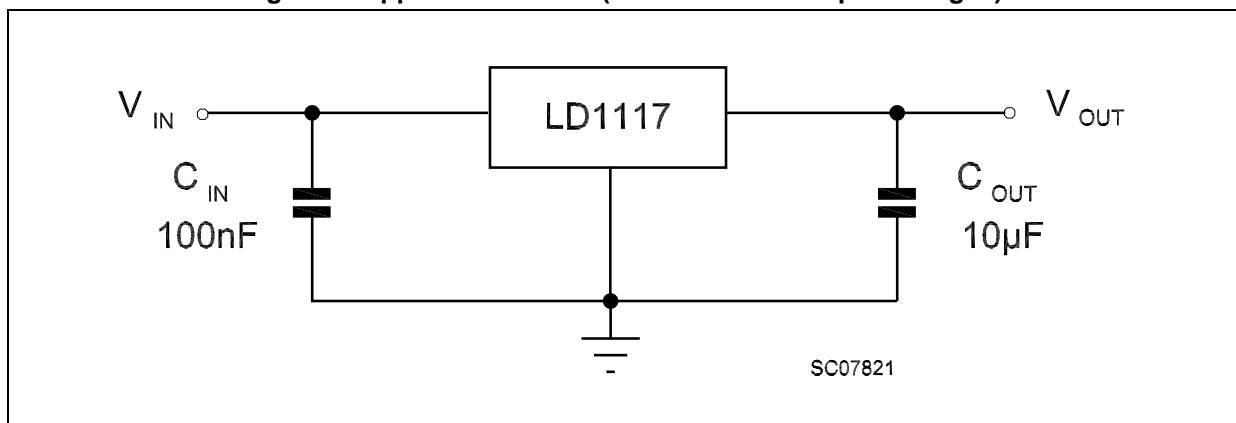


Figure 4. Application circuit (for other fixed output voltages)





## 5 Electrical characteristics

Refer to the test circuits,  $T_J = 0$  to  $125\text{ °C}$ ,  $C_O = 10\text{ }\mu\text{F}$ ,  $R = 120\text{ }\Omega$  between GND and OUT pins, unless otherwise specified.

**Table 3. Electrical characteristics of LD1117#12**

Symbol	Parameter	Test condition	Min.	Typ.	Max.	Unit
$V_O$	Output voltage	$V_{in} = 3.2\text{ V}$ , $I_O = 10\text{ mA}$ , $T_J = 25\text{ °C}$	1.188	1.20	1.212	V
$V_O$	Output voltage	$I_O = 10$ to $800\text{ mA}$ $V_{in} - V_O = 1.4$ to $10\text{ V}$	1.140	1.20	1.260	V
$\Delta V_O$	Line regulation	$V_{in} - V_O = 1.5$ to $13.75\text{ V}$ , $I_O = 10\text{ mA}$		0.035	0.2	%
$\Delta V_O$	Load regulation	$V_{in} - V_O = 3\text{ V}$ , $I_O = 10$ to $800\text{ mA}$		0.1	0.4	%
$\Delta V_O$	Temperature stability			0.5		%
$\Delta V_O$	Long term stability	1000 hrs, $T_J = 125\text{ °C}$		0.3		%
$V_{in}$	Operating input voltage				15	V
$I_{adj}$	Adjustment pin current	$V_{in} \leq 15\text{ V}$		60	120	$\mu\text{A}$
$\Delta I_{adj}$	Adjustment pin current change	$V_{in} - V_O = 1.4$ to $10\text{ V}$ $I_O = 10$ to $800\text{ mA}$		1	5	$\mu\text{A}$
$I_{O(min)}$	Minimum load current	$V_{in} = 15\text{ V}$		2	5	mA
$I_O$	Output current	$V_{in} - V_O = 5\text{ V}$ , $T_J = 25\text{ °C}$	800	950	1300	mA
eN	Output noise (% $V_O$ )	$B = 10\text{ Hz}$ to $10\text{ kHz}$ , $T_J = 25\text{ °C}$		0.003		%
SVR	Supply voltage rejection	$I_O = 40\text{ mA}$ , $f = 120\text{ Hz}$ , $T_J = 25\text{ °C}$ $V_{in} - V_O = 3\text{ V}$ , $V_{ripple} = 1\text{ V}_{PP}$	60	75		dB
$V_d$	Dropout voltage	$I_O = 100\text{ mA}$		1	1.1	V
		$I_O = 500\text{ mA}$		1.05	1.15	
		$I_O = 800\text{ mA}$		1.10	1.2	
	Thermal regulation	$T_a = 25\text{ °C}$ , 30 ms Pulse		0.01	0.1	%/W

Refer to the test circuits,  $T_J = 0$  to  $125\text{ }^\circ\text{C}$ ,  $C_O = 10\text{ }\mu\text{F}$ , unless otherwise specified.

**Table 4. Electrical characteristics of LD1117#18**

Symbol	Parameter	Test condition	Min.	Typ.	Max.	Unit
$V_O$	Output voltage	$V_{in} = 3.8\text{ V}$ , $I_O = 10\text{ mA}$ , $T_J = 25\text{ }^\circ\text{C}$	1.78	1.8	1.82	V
$V_O$	Output voltage	$I_O = 0$ to $800\text{ mA}$ , $V_{in} = 3.3$ to $8\text{ V}$	1.76		1.84	V
$\Delta V_O$	Line regulation	$V_{in} = 3.3$ to $8\text{ V}$ , $I_O = 0\text{ mA}$		1	6	mV
$\Delta V_O$	Load regulation	$V_{in} = 3.3\text{ V}$ , $I_O = 0$ to $800\text{ mA}$		1	10	mV
$\Delta V_O$	Temperature stability			0.5		%
$\Delta V_O$	Long term stability	1000 hrs, $T_J = 125\text{ }^\circ\text{C}$		0.3		%
$V_{in}$	Operating input voltage	$I_O = 100\text{ mA}$			15	V
$I_d$	Quiescent current	$V_{in} \leq 8\text{ V}$		5	10	mA
$I_O$	Output current	$V_{in} = 6.8\text{ V}$ , $T_J = 25\text{ }^\circ\text{C}$	800	950	1300	mA
eN	Output noise voltage	$B = 10\text{ Hz}$ to $10\text{ kHz}$ , $T_J = 25\text{ }^\circ\text{C}$		100		$\mu\text{V}$
SVR	Supply voltage rejection	$I_O = 40\text{ mA}$ , $f = 120\text{ Hz}$ , $T_J = 25\text{ }^\circ\text{C}$ $V_{in} = 5.5\text{ V}$ , $V_{ripple} = 1\text{ V}_{PP}$	60	75		dB
$V_d$	Dropout voltage	$I_O = 100\text{ mA}$		1	1.1	V
		$I_O = 500\text{ mA}$		1.05	1.15	
		$I_O = 800\text{ mA}$		1.10	1.2	
	Thermal regulation	$T_a = 25\text{ }^\circ\text{C}$ , 30 ms Pulse		0.01	0.1	%/W

Refer to the test circuits,  $T_J = 0$  to  $125$  °C,  $C_O = 10$   $\mu$ F, unless otherwise specified.

**Table 5. Electrical characteristics of LD1117#25**

Symbol	Parameter	Test condition	Min.	Typ.	Max.	Unit
$V_O$	Output voltage	$V_{in} = 4.5$ V, $I_O = 10$ mA, $T_J = 25$ °C	2.475	2.5	2.525	V
$V_O$	Output voltage	$I_O = 0$ to 800 mA, $V_{in} = 3.9$ to 10 V	2.45		2.55	V
$\Delta V_O$	Line regulation	$V_{in} = 3.9$ to 10 V, $I_O = 0$ mA		1	6	mV
$\Delta V_O$	Load regulation	$V_{in} = 3.9$ V, $I_O = 0$ to 800 mA		1	10	mV
$\Delta V_O$	Temperature stability			0.5		%
$\Delta V_O$	Long term stability	1000 hrs, $T_J = 125$ °C		0.3		%
$V_{in}$	Operating input voltage	$I_O = 100$ mA			15	V
$I_d$	Quiescent current	$V_{in} \leq 10$ V		5	10	mA
$I_O$	Output current	$V_{in} = 7.5$ V $T_J = 25$ °C	800	950	1300	mA
eN	Output noise voltage	B = 10 Hz to 10 kHz, $T_J = 25$ °C		100		$\mu$ V
SVR	Supply voltage rejection	$I_O = 40$ mA, $f = 120$ Hz, $T_J = 25$ °C $V_{in} = 5.5$ V, $V_{ripple} = 1$ V <sub>PP</sub>	60	75		dB
$V_d$	Dropout voltage	$I_O = 100$ mA		1	1.1	V
		$I_O = 500$ mA		1.05	1.15	
		$I_O = 800$ mA		1.10	1.2	
	Thermal regulation	$T_a = 25$ °C, 30 ms Pulse		0.01	0.1	%/W

Refer to the test circuits,  $T_J = 0$  to  $125\text{ }^\circ\text{C}$ ,  $C_O = 10\text{ }\mu\text{F}$ , unless otherwise specified.

**Table 6. Electrical characteristics of LD1117#33**

Symbol	Parameter	Test condition	Min.	Typ.	Max.	Unit
$V_O$	Output voltage	$V_{in} = 5.3\text{ V}$ , $I_O = 10\text{ mA}$ , $T_J = 25\text{ }^\circ\text{C}$	3.267	3.3	3.333	V
$V_O$	Output voltage	$I_O = 0$ to $800\text{ mA}$ , $V_{in} = 4.75$ to $10\text{ V}$	3.235		3.365	V
$\Delta V_O$	Line regulation	$V_{in} = 4.75$ to $15\text{ V}$ , $I_O = 0\text{ mA}$		1	6	mV
$\Delta V_O$	Load regulation	$V_{in} = 4.75\text{ V}$ , $I_O = 0$ to $800\text{ mA}$		1	10	mV
$\Delta V_O$	Temperature stability			0.5		%
$\Delta V_O$	Long term stability	1000 hrs, $T_J = 125\text{ }^\circ\text{C}$		0.3		%
$V_{in}$	Operating input voltage	$I_O = 100\text{ mA}$			15	V
$I_d$	Quiescent current	$V_{in} \leq 15\text{ V}$		5	10	mA
$I_O$	Output current	$V_{in} = 8.3\text{ V}$ , $T_J = 25\text{ }^\circ\text{C}$	800	950	1300	mA
eN	Output noise voltage	$B = 10\text{ Hz}$ to $10\text{ kHz}$ , $T_J = 25\text{ }^\circ\text{C}$		100		$\mu\text{V}$
SVR	Supply voltage rejection	$I_O = 40\text{ mA}$ , $f = 120\text{ Hz}$ , $T_J = 25\text{ }^\circ\text{C}$ $V_{in} = 6.3\text{ V}$ , $V_{ripple} = 1\text{ V}_{PP}$	60	75		dB
$V_d$	Dropout voltage	$I_O = 100\text{ mA}$		1	1.1	V
		$I_O = 500\text{ mA}$		1.05	1.15	
		$I_O = 800\text{ mA}$		1.10	1.2	
	Thermal regulation	$T_a = 25\text{ }^\circ\text{C}$ , 30 ms Pulse		0.01	0.1	%/W

Refer to the test circuits,  $T_J = 0$  to  $125\text{ }^\circ\text{C}$ ,  $C_O = 10\text{ }\mu\text{F}$ , unless otherwise specified.

**Table 7. Electrical characteristics of LD1117#50**

Symbol	Parameter	Test condition	Min.	Typ.	Max.	Unit
$V_O$	Output voltage	$V_{in} = 7\text{ V}$ , $I_O = 10\text{ mA}$ , $T_J = 25\text{ }^\circ\text{C}$	4.95	5	5.05	V
$V_O$	Output voltage	$I_O = 0$ to $800\text{ mA}$ , $V_{in} = 6.5$ to $15\text{ V}$	4.9		5.1	V
$\Delta V_O$	Line regulation	$V_{in} = 6.5$ to $15\text{ V}$ , $I_O = 0\text{ mA}$		1	10	mV
$\Delta V_O$	Load regulation	$V_{in} = 6.5\text{ V}$ , $I_O = 0$ to $800\text{ mA}$		1	15	mV
$\Delta V_O$	Temperature stability			0.5		%
$\Delta V_O$	Long term stability	1000 hrs, $T_J = 125\text{ }^\circ\text{C}$		0.3		%
$V_{in}$	Operating input voltage	$I_O = 100\text{ mA}$			15	V
$I_d$	Quiescent current	$V_{in} \leq 15\text{ V}$		5	10	mA
$I_O$	Output current	$V_{in} = 10\text{ V}$ , $T_J = 25\text{ }^\circ\text{C}$	800	950	1300	mA
eN	Output noise voltage	$B = 10\text{ Hz}$ to $10\text{ kHz}$ , $T_J = 25\text{ }^\circ\text{C}$		100		$\mu\text{V}$
SVR	Supply voltage rejection	$I_O = 40\text{ mA}$ , $f = 120\text{ Hz}$ , $T_J = 25\text{ }^\circ\text{C}$ $V_{in} = 8\text{ V}$ , $V_{ripple} = 1\text{ V}_{PP}$	60	75		dB
$V_d$	Dropout voltage	$I_O = 100\text{ mA}$		1	1.1	V
		$I_O = 500\text{ mA}$		1.05	1.15	
		$I_O = 800\text{ mA}$		1.10	1.2	
	Thermal regulation	$T_a = 25\text{ }^\circ\text{C}$ , 30 ms Pulse		0.01	0.1	%/W

Refer to the test circuits,  $T_J = 0$  to  $125\text{ }^\circ\text{C}$ ,  $C_O = 10\text{ }\mu\text{F}$ , unless otherwise specified.

**Table 8. Electrical characteristics of LD1117 (adjustable)**

Symbol	Parameter	Test condition	Min.	Typ.	Max.	Unit
$V_{ref}$	Reference voltage	$V_{in} - V_O = 2\text{ V}$ , $I_O = 10\text{ mA}$ , $T_J = 25\text{ }^\circ\text{C}$	1.238	1.25	1.262	V
$V_{ref}$	Reference voltage	$I_O = 10$ to $800\text{ mA}$ , $V_{in} - V_O = 1.4$ to $10\text{ V}$	1.225		1.275	V
$\Delta V_O$	Line regulation	$V_{in} - V_O = 1.5$ to $13.75\text{ V}$ , $I_O = 10\text{ mA}$		0.035	0.2	%
$\Delta V_O$	Load regulation	$V_{in} - V_O = 3\text{ V}$ , $I_O = 10$ to $800\text{ mA}$		0.1	0.4	%
$\Delta V_O$	Temperature stability			0.5		%
$\Delta V_O$	Long term stability	1000 hrs, $T_J = 125\text{ }^\circ\text{C}$		0.3		%
$V_{in}$	Operating input voltage				15	V
$I_{adj}$	Adjustment pin current	$V_{in} \leq 15\text{ V}$		60	120	$\mu\text{A}$
$\Delta I_{adj}$	Adjustment pin current change	$V_{in} - V_O = 1.4$ to $10\text{ V}$ , $I_O = 10$ to $800\text{ mA}$		1	5	$\mu\text{A}$
$I_{O(min)}$	Minimum load current	$V_{in} = 15\text{ V}$		2	5	mA
$I_O$	Output current	$V_{in} - V_O = 5\text{ V}$ , $T_J = 25\text{ }^\circ\text{C}$	800	950	1300	mA
eN	Output noise ( $\%V_O$ )	$B = 10\text{ Hz}$ to $10\text{ kHz}$ , $T_J = 25\text{ }^\circ\text{C}$		0.003		%
SVR	Supply voltage rejection	$I_O = 40\text{ mA}$ , $f = 120\text{ Hz}$ , $T_J = 25\text{ }^\circ\text{C}$ $V_{in} - V_O = 3\text{ V}$ , $V_{ripple} = 1\text{ V}_{PP}$	60	75		dB
$V_d$	Dropout voltage	$I_O = 100\text{ mA}$		1	1.1	V
		$I_O = 500\text{ mA}$		1.05	1.15	
		$I_O = 800\text{ mA}$		1.10	1.2	
	Thermal regulation	$T_a = 25\text{ }^\circ\text{C}$ , 30 ms Pulse		0.01	0.1	%/W

Refer to the test circuits,  $T_J = -40$  to  $125$  °C,  $C_O = 10$   $\mu$ F,  $R = 120$   $\Omega$  between GND and OUT pins, unless otherwise specified.

**Table 9. Electrical characteristics of LD1117#12C**

Symbol	Parameter	Test condition	Min.	Typ.	Max.	Unit
$V_O$	Output voltage	$V_{in} - V_O = 2$ V, $I_O = 10$ mA, $T_J = 25$ °C	1.176	1.20	1.224	V
$V_O$	Output voltage	$I_O = 10$ to 800 mA, $V_{in} - V_O = 1.4$ to 10 V	1.120	1.20	1.280	V
$\Delta V_O$	Line regulation	$V_{in} - V_O = 1.5$ to 13.75 V, $I_O = 10$ mA			1	%
$\Delta V_O$	Load regulation	$V_{in} - V_O = 3$ V, $I_O = 10$ to 800 mA			1	%
$\Delta V_O$	Temperature stability			0.5		%
$\Delta V_O$	Long term stability	1000 hrs, $T_J = 125$ °C		0.3		%
$V_{in}$	Operating input voltage				15	V
$I_{adj}$	Adjustment pin current	$V_{in} \leq 15$ V		60	120	$\mu$ A
$\Delta I_{adj}$	Adjustment pin current change	$V_{in} - V_O = 1.4$ to 10 V $I_O = 10$ to 800 mA		1	5	$\mu$ A
$I_{O(min)}$	Minimum load current	$V_{in} = 15$ V		2	5	mA
$I_O$	Output current	$V_{in} - V_O = 5$ V, $T_J = 25$ °C	800	950	1300	mA
eN	Output noise (% $V_O$ )	$B = 10$ Hz to 10 kHz, $T_J = 25$ °C		0.003		%
SVR	Supply voltage rejection	$I_O = 40$ mA, $f = 120$ Hz, $T_J = 25$ °C $V_{in} - V_O = 3$ V, $V_{ripple} = 1$ V <sub>PP</sub>	60	75		dB
$V_d$	Dropout voltage	$I_O = 100$ mA, $T_J = 0$ to 125 °C		1	1.1	V
		$I_O = 500$ mA, $T_J = 0$ to 125 °C		1.05	1.2	
		$I_O = 800$ mA, $T_J = 0$ to 125 °C		1.10	1.3	
	Thermal regulation	$T_a = 25$ °C, 30 ms Pulse		0.01	0.1	%/W

Refer to the test circuits,  $T_J = -40$  to  $125\text{ }^\circ\text{C}$ ,  $C_O = 10\text{ }\mu\text{F}$ , unless otherwise specified.

**Table 10. Electrical characteristics of LD1117#18C**

Symbol	Parameter	Test condition	Min.	Typ.	Max.	Unit
$V_O$	Output voltage	$V_{in} = 3.8\text{ V}$ , $I_O = 10\text{ mA}$ , $T_J = 25\text{ }^\circ\text{C}$	1.76	1.8	1.84	V
$V_O$	Output voltage	$I_O = 0$ to $800\text{ mA}$ , $V_{in} = 3.9$ to $10\text{ V}$	1.73		1.87	V
$\Delta V_O$	Line regulation	$V_{in} = 3.3$ to $8\text{ V}$ , $I_O = 0\text{ mA}$		1	30	mV
$\Delta V_O$	Load regulation	$V_{in} = 3.3\text{ V}$ , $I_O = 0$ to $800\text{ mA}$		1	30	mV
$\Delta V_O$	Temperature stability			0.5		%
$\Delta V_O$	Long term stability	1000 hrs, $T_J = 125\text{ }^\circ\text{C}$		0.3		%
$V_{in}$	Operating input voltage	$I_O = 100\text{ mA}$			15	V
$I_d$	Quiescent current	$V_{in} \leq 8\text{ V}$		5	10	mA
$I_O$	Output current	$V_{in} = 6.8\text{ V}$ , $T_J = 25\text{ }^\circ\text{C}$	800	950	1300	mA
eN	Output noise voltage	$B = 10\text{ Hz}$ to $10\text{ kHz}$ , $T_J = 25\text{ }^\circ\text{C}$		100		$\mu\text{V}$
SVR	Supply voltage rejection	$I_O = 40\text{ mA}$ , $f = 120\text{ Hz}$ , $T_J = 25\text{ }^\circ\text{C}$ $V_{in} = 5.5\text{ V}$ , $V_{ripple} = 1\text{ V}_{PP}$	60	75		dB
$V_d$	Dropout voltage	$I_O = 100\text{ mA}$ , $T_J = 0$ to $125\text{ }^\circ\text{C}$		1	1.1	V
		$I_O = 500\text{ mA}$ , $T_J = 0$ to $125\text{ }^\circ\text{C}$		1.05	1.15	
		$I_O = 800\text{ mA}$ , $T_J = 0$ to $125\text{ }^\circ\text{C}$		1.10	1.2	
$V_d$	Dropout voltage	$I_O = 100\text{ mA}$			1.1	V
		$I_O = 500\text{ mA}$			1.2	
		$I_O = 800\text{ mA}$			1.3	
	Thermal regulation	$T_a = 25\text{ }^\circ\text{C}$ , 30 ms Pulse		0.01	0.1	%/W



Refer to the test circuits,  $T_J = -40$  to  $125$  °C,  $C_O = 10$   $\mu$ F, unless otherwise specified.

**Table 11. Electrical characteristics of LD1117#25C**

Symbol	Parameter	Test condition	Min.	Typ.	Max.	Unit
$V_O$	Output voltage	$V_{in} = 4.5$ V, $I_O = 10$ mA, $T_J = 25$ °C	2.45	2.5	2.55	V
$V_O$	Output voltage	$I_O = 0$ to 800 mA, $V_{in} = 3.9$ to 10 V	2.4		2.6	V
$\Delta V_O$	Line regulation	$V_{in} = 3.9$ to 10 V, $I_O = 0$ mA		1	30	mV
$\Delta V_O$	Load regulation	$V_{in} = 3.9$ V, $I_O = 0$ to 800 mA		1	30	mV
$\Delta V_O$	Temperature stability			0.5		%
$\Delta V_O$	Long term stability	1000 hrs, $T_J = 125$ °C		0.3		%
$V_{in}$	Operating input voltage	$I_O = 100$ mA			15	V
$I_d$	Quiescent current	$V_{in} \leq 10$ V		5	10	mA
$I_O$	Output current	$V_{in} = 7.5$ V $T_J = 25$ °C	800	950	1300	mA
eN	Output noise voltage	B = 10 Hz to 10 kHz, $T_J = 25$ °C		100		$\mu$ V
SVR	Supply voltage rejection	$I_O = 40$ mA, $f = 120$ Hz, $T_J = 25$ °C $V_{in} = 5.5$ V, $V_{ripple} = 1$ V <sub>PP</sub>	60	75		dB
$V_d$	Dropout voltage	$I_O = 100$ mA, $T_J = 0$ to $125$ °C		1	1.1	V
		$I_O = 500$ mA, $T_J = 0$ to $125$ °C		1.05	1.15	
		$I_O = 800$ mA, $T_J = 0$ to $125$ °C		1.10	1.2	
$V_d$	Dropout voltage	$I_O = 100$ mA			1.1	V
		$I_O = 500$ mA			1.2	
		$I_O = 800$ mA			1.3	
	Thermal regulation	$T_a = 25$ °C, 30 ms Pulse		0.01	0.1	%/W

Refer to the test circuits,  $T_J = -40$  to  $125\text{ }^\circ\text{C}$ ,  $C_O = 10\text{ }\mu\text{F}$ , unless otherwise specified.

**Table 12. Electrical characteristics of LD1117#33C**

Symbol	Parameter	Test condition	Min.	Typ.	Max.	Unit
$V_O$	Output voltage	$V_{in} = 5.3\text{ V}$ , $I_O = 10\text{ mA}$ , $T_J = 25\text{ }^\circ\text{C}$	3.24	3.3	3.36	V
$V_O$	Output voltage	$I_O = 0$ to $800\text{ mA}$ , $V_{in} = 4.75$ to $10\text{ V}$	3.16		3.44	V
$\Delta V_O$	Line regulation	$V_{in} = 4.75$ to $15\text{ V}$ , $I_O = 0\text{ mA}$		1	30	mV
$\Delta V_O$	Load regulation	$V_{in} = 4.75\text{ V}$ , $I_O = 0$ to $800\text{ mA}$		1	30	mV
$\Delta V_O$	Temperature stability			0.5		%
$\Delta V_O$	Long term stability	1000 hrs, $T_J = 125\text{ }^\circ\text{C}$		0.3		%
$V_{in}$	Operating input voltage	$I_O = 100\text{ mA}$			15	V
$I_d$	Quiescent current	$V_{in} \leq 15\text{ V}$		5	10	mA
$I_O$	Output current	$V_{in} = 8.3\text{ V}$ , $T_J = 25\text{ }^\circ\text{C}$	800	950	1300	mA
eN	Output noise voltage	$B = 10\text{ Hz}$ to $10\text{ kHz}$ , $T_J = 25\text{ }^\circ\text{C}$		100		$\mu\text{V}$
SVR	Supply voltage rejection	$I_O = 40\text{ mA}$ , $f = 120\text{ Hz}$ , $T_J = 25\text{ }^\circ\text{C}$ $V_{in} = 6.3\text{ V}$ , $V_{ripple} = 1\text{ V}_{PP}$	60	75		dB
$V_d$	Dropout voltage	$I_O = 100\text{ mA}$ , $T_J = 0$ to $125\text{ }^\circ\text{C}$		1	1.1	V
		$I_O = 500\text{ mA}$ , $T_J = 0$ to $125\text{ }^\circ\text{C}$		1.05	1.15	
		$I_O = 800\text{ mA}$ , $T_J = 0$ to $125\text{ }^\circ\text{C}$		1.10	1.2	
$V_d$	Dropout voltage	$I_O = 100\text{ mA}$			1.1	V
		$I_O = 500\text{ mA}$			1.2	
		$I_O = 800\text{ mA}$			1.3	
	Thermal regulation	$T_a = 25\text{ }^\circ\text{C}$ , 30 ms Pulse		0.01	0.1	%/W

Refer to the test circuits,  $T_J = -40$  to  $125$  °C,  $C_O = 10$   $\mu$ F, unless otherwise specified.

**Table 13. Electrical characteristics of LD1117#50C**

Symbol	Parameter	Test condition	Min.	Typ.	Max.	Unit
$V_O$	Output voltage	$V_{in} = 7$ V, $I_O = 10$ mA, $T_J = 25$ °C	4.9	5	5.1	V
$V_O$	Output voltage	$I_O = 0$ to 800 mA, $V_{in} = 6.5$ to 15 V	4.8		5.2	V
$\Delta V_O$	Line regulation	$V_{in} = 6.5$ to 15 V, $I_O = 0$ mA		1	50	mV
$\Delta V_O$	Load regulation	$V_{in} = 6.5$ V, $I_O = 0$ to 800 mA		1	50	mV
$\Delta V_O$	Temperature stability			0.5		%
$\Delta V_O$	Long term stability	1000 hrs, $T_J = 125$ °C		0.3		%
$V_{in}$	Operating input voltage	$I_O = 100$ mA			15	V
$I_d$	Quiescent current	$V_{in} \leq 15$ V		5	10	mA
$I_O$	Output current	$V_{in} = 10$ V, $T_J = 25$ °C	800	950	1300	mA
eN	Output noise voltage	B = 10 Hz to 10 kHz, $T_J = 25$ °C		100		$\mu$ V
SVR	Supply voltage rejection	$I_O = 40$ mA, $f = 120$ Hz, $T_J = 25$ °C $V_{in} = 8$ V, $V_{ripple} = 1$ V <sub>PP</sub>	60	75		dB
$V_d$	Dropout voltage	$I_O = 100$ mA, $T_J = 0$ to 125 °C		1	1.1	V
		$I_O = 500$ mA, $T_J = 0$ to 125 °C		1.05	1.15	
		$I_O = 800$ mA, $T_J = 0$ to 125 °C		1.10	1.2	
$V_d$	Dropout voltage	$I_O = 100$ mA			1.1	V
		$I_O = 500$ mA			1.2	
		$I_O = 800$ mA			1.3	
	Thermal regulation	$T_a = 25$ °C, 30 ms Pulse		0.01	0.1	%/W

Refer to the test circuits,  $T_J = -40$  to  $125\text{ }^\circ\text{C}$ ,  $C_O = 10\text{ }\mu\text{F}$ , unless otherwise specified.

**Table 14. Electrical characteristics of LD1117C (adjustable)**

Symbol	Parameter	Test condition	Min.	Typ.	Max.	Unit
$V_{ref}$	Reference voltage	$V_{in} - V_O = 2\text{ V}$ , $I_O = 10\text{ mA}$ , $T_J = 25\text{ }^\circ\text{C}$	1.225	1.25	1.275	V
$V_{ref}$	Reference voltage	$I_O = 10$ to $800\text{ mA}$ , $V_{in} - V_O = 1.4$ to $10\text{ V}$	1.2		1.3	V
$\Delta V_O$	Line regulation	$V_{in} - V_O = 1.5$ to $13.75\text{ V}$ , $I_O = 10\text{ mA}$			1	%
$\Delta V_O$	Load regulation	$V_{in} - V_O = 3\text{ V}$ , $I_O = 10$ to $800\text{ mA}$			1	%
$\Delta V_O$	Temperature stability			0.5		%
$\Delta V_O$	Long term stability	1000 hrs, $T_J = 125\text{ }^\circ\text{C}$		0.3		%
$V_{in}$	Operating input voltage				15	V
$I_{adj}$	Adjustment pin current	$V_{in} \leq 15\text{ V}$		60	120	$\mu\text{A}$
$\Delta I_{adj}$	Adjustment pin current change	$V_{in} - V_O = 1.4$ to $10\text{ V}$ , $I_O = 10$ to $800\text{ mA}$		1	10	$\mu\text{A}$
$I_{O(min)}$	Minimum load current	$V_{in} = 15\text{ V}$		2	5	mA
$I_O$	Output current	$V_{in} - V_O = 5\text{ V}$ , $T_J = 25\text{ }^\circ\text{C}$	800	950	1300	mA
eN	Output noise ( $\%V_O$ )	$B = 10\text{ Hz}$ to $10\text{ kHz}$ , $T_J = 25\text{ }^\circ\text{C}$		0.003		%
SVR	Supply voltage rejection	$I_O = 40\text{ mA}$ , $f = 120\text{ Hz}$ , $T_J = 25\text{ }^\circ\text{C}$ $V_{in} - V_O = 3\text{ V}$ , $V_{ripple} = 1\text{ V}_{PP}$	60	75		dB
$V_d$	Dropout voltage	$I_O = 100\text{ mA}$ , $T_J = 0$ to $125\text{ }^\circ\text{C}$		1	1.1	V
		$I_O = 500\text{ mA}$ , $T_J = 0$ to $125\text{ }^\circ\text{C}$		1.05	1.15	
		$I_O = 800\text{ mA}$ , $T_J = 0$ to $125\text{ }^\circ\text{C}$		1.10	1.2	
$V_d$	Dropout voltage	$I_O = 100\text{ mA}$			1.1	V
		$I_O = 500\text{ mA}$			1.2	
		$I_O = 800\text{ mA}$			1.3	
	Thermal regulation	$T_a = 25\text{ }^\circ\text{C}$ , 30 ms Pulse		0.01	0.1	%/W

## 6 Typical application

Figure 5. Negative supply

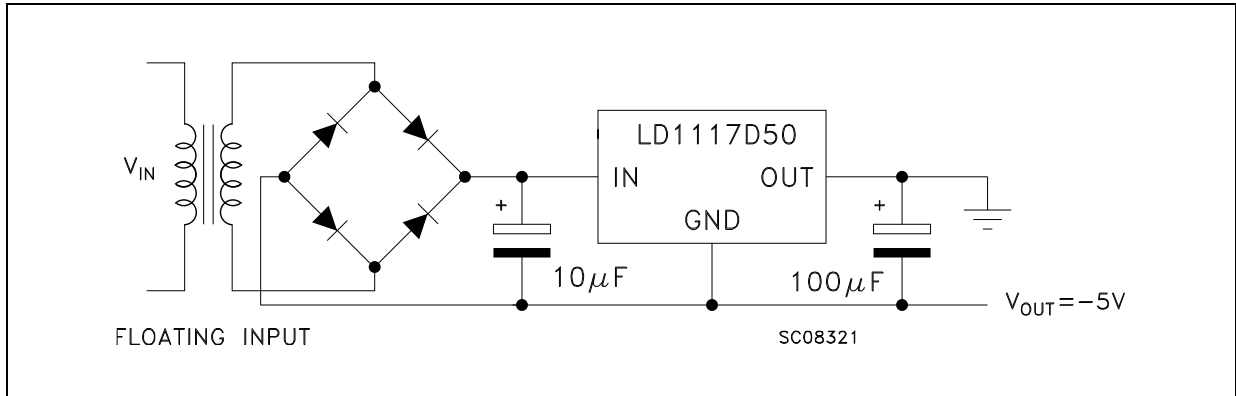


Figure 6. Circuit for increasing output voltage

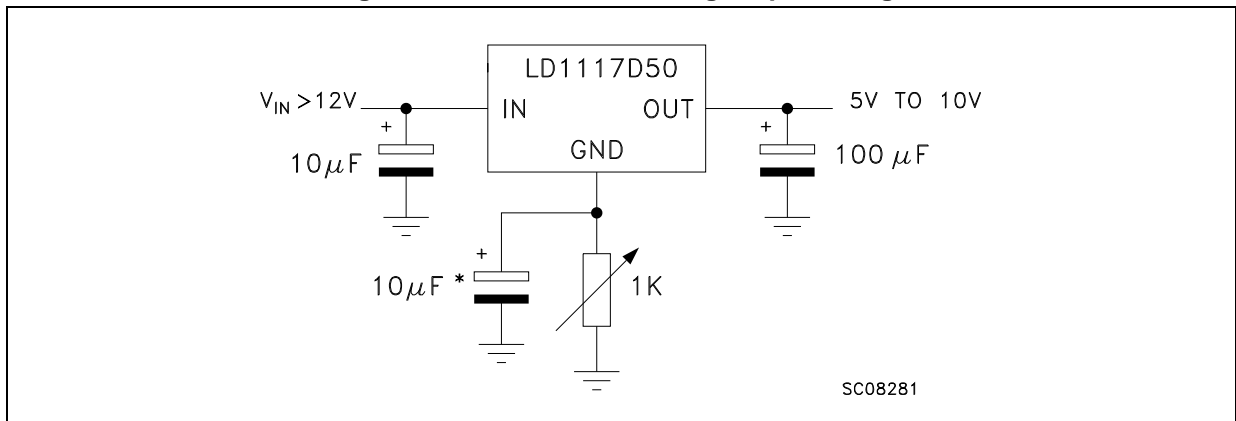


Figure 7. Voltage regulator with reference

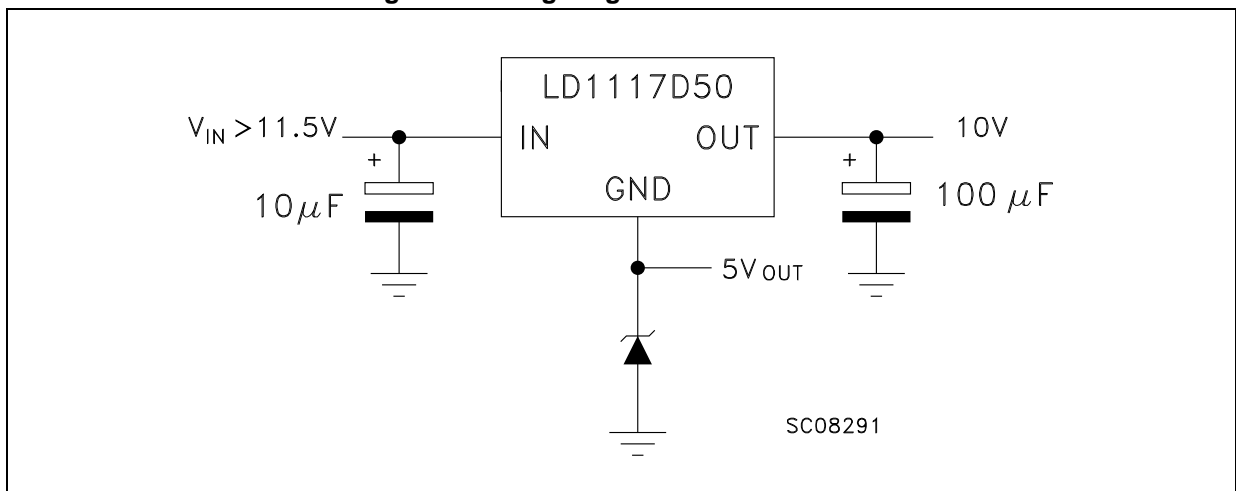


Figure 8. Battery backed-up regulated supply

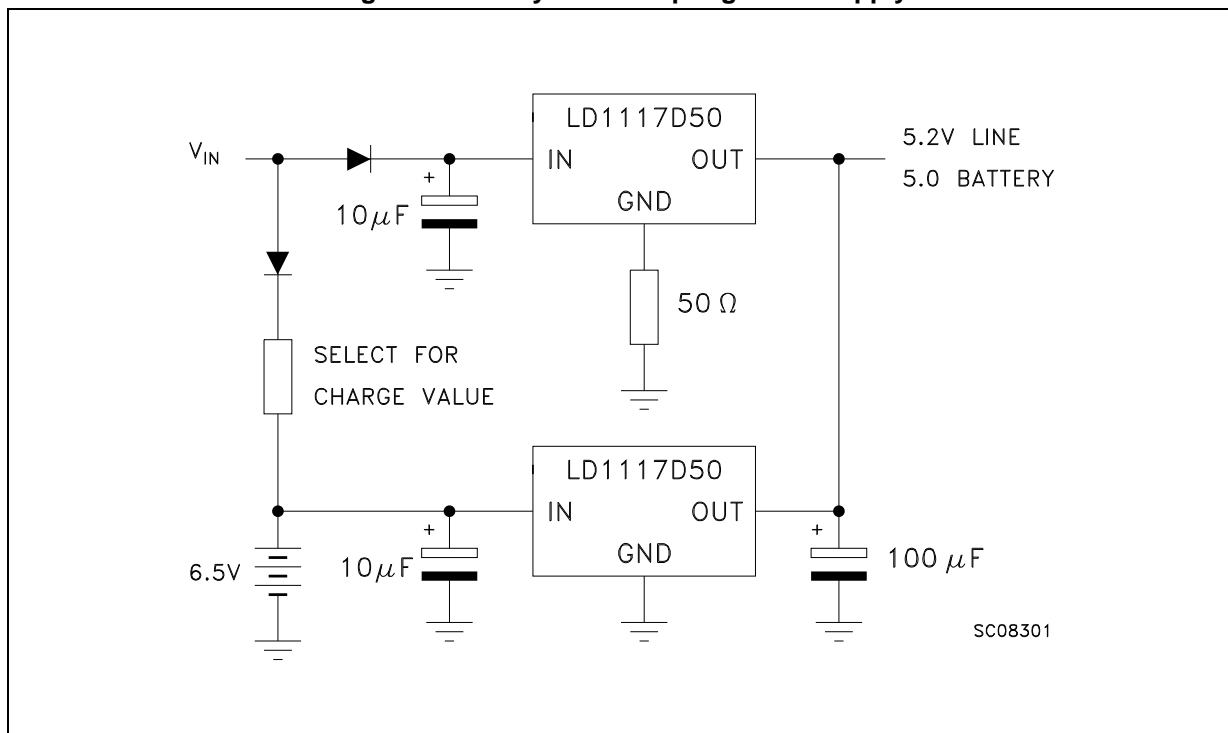
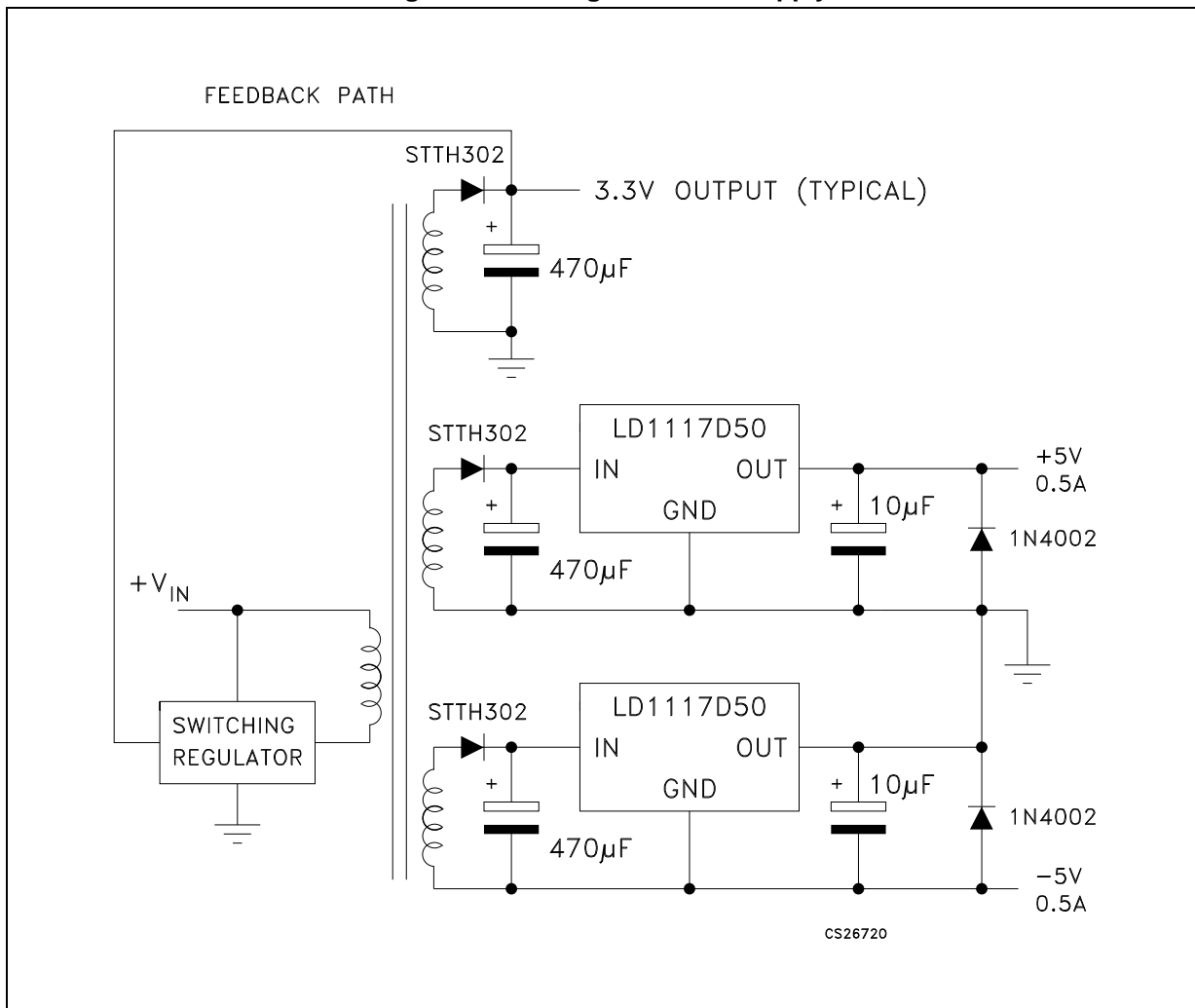


Figure 9. Post-regulated dual supply



## 7 LD1117 adjustable: application note

The LD1117 adjustable has a thermal stabilized  $1.25 \pm 0.012$  V reference voltage between the OUT and ADJ pins.  $I_{ADJ}$  is  $60 \mu\text{A}$  typ. ( $120 \mu\text{A}$  max.) and  $\Delta I_{ADJ}$  is  $1 \mu\text{A}$  typ. ( $5 \mu\text{A}$  max.).

$R_1$  is normally fixed to  $120 \Omega$ . From [Figure 9](#) we obtain:

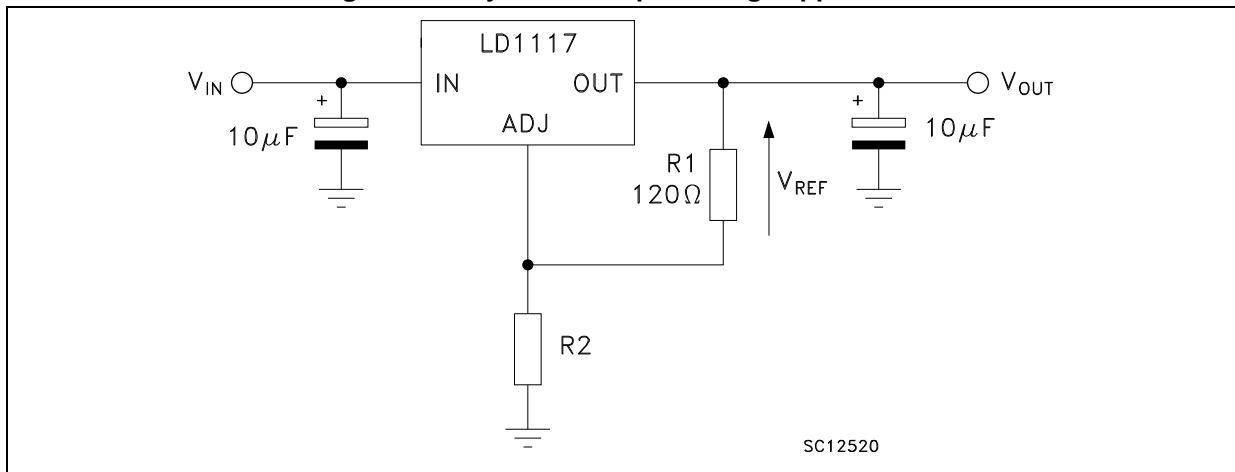
$$V_{OUT} = V_{REF} + R_2 (I_{ADJ} + I_{R1}) = V_{REF} + R_2 (I_{ADJ} + V_{REF} / R_1) = V_{REF} (1 + R_2 / R_1) + R_2 \times I_{ADJ}$$

In normal application  $R_2$  value is in the range of few  $k\Omega$ , so the  $R_2 \times I_{ADJ}$  product could not be considered in the  $V_{OUT}$  calculation; then the above expression becomes:

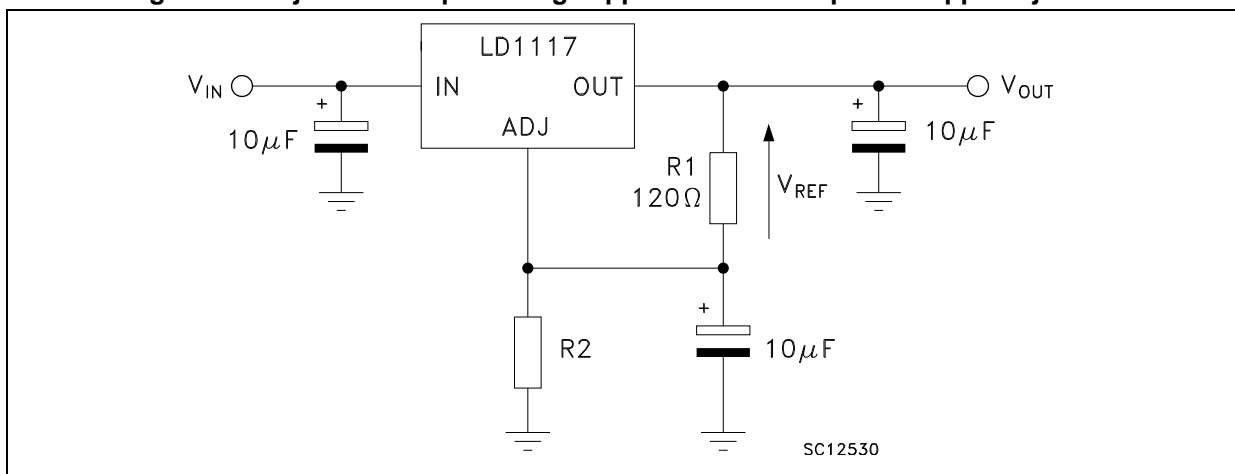
$$V_{OUT} = V_{REF} (1 + R_2 / R_1)$$

In order to have the better load regulation it is important to realize a good Kelvin connection of  $R_1$  and  $R_2$  resistors. In particular  $R_1$  connection must be realized very close to OUT and ADJ pin, while  $R_2$  ground connection must be placed as near as possible to the negative Load pin. Ripple rejection can be improved by introducing a  $10 \mu\text{F}$  electrolytic capacitor placed in parallel to the  $R_2$  resistor (see [Figure 10](#)).

**Figure 10. Adjustable output voltage application**



**Figure 11. Adjustable output voltage application with improved ripple rejection**





## 8 Package information

In order to meet environmental requirements, ST offers these devices in different grades of ECOPACK packages, depending on their level of environmental compliance. ECOPACK specifications, grade definitions and product status are available at: [www.st.com](http://www.st.com). ECOPACK is an ST trademark.

**Table 15. TO-220 mechanical data (type STD-ST Dual Gauge)**

Dim.	mm		
	Min.	Typ.	Max.
A	4.40		4.60
b	0.61		0.88
b1	1.14		1.70
c	0.48		0.70
D	15.25		15.75
D1		1.27	
E	10		10.40
e	2.40		2.70
e1	4.95		5.15
F	1.23		1.32
H1	6.20		6.60
J1	2.40		2.72
L	13		14
L1	3.50		3.93
L20		16.40	
L30		28.90	
ØP	3.75		3.85
Q	2.65		2.95

Figure 12. Drawing dimension TO-220 (type STD-ST Dual Gauge)

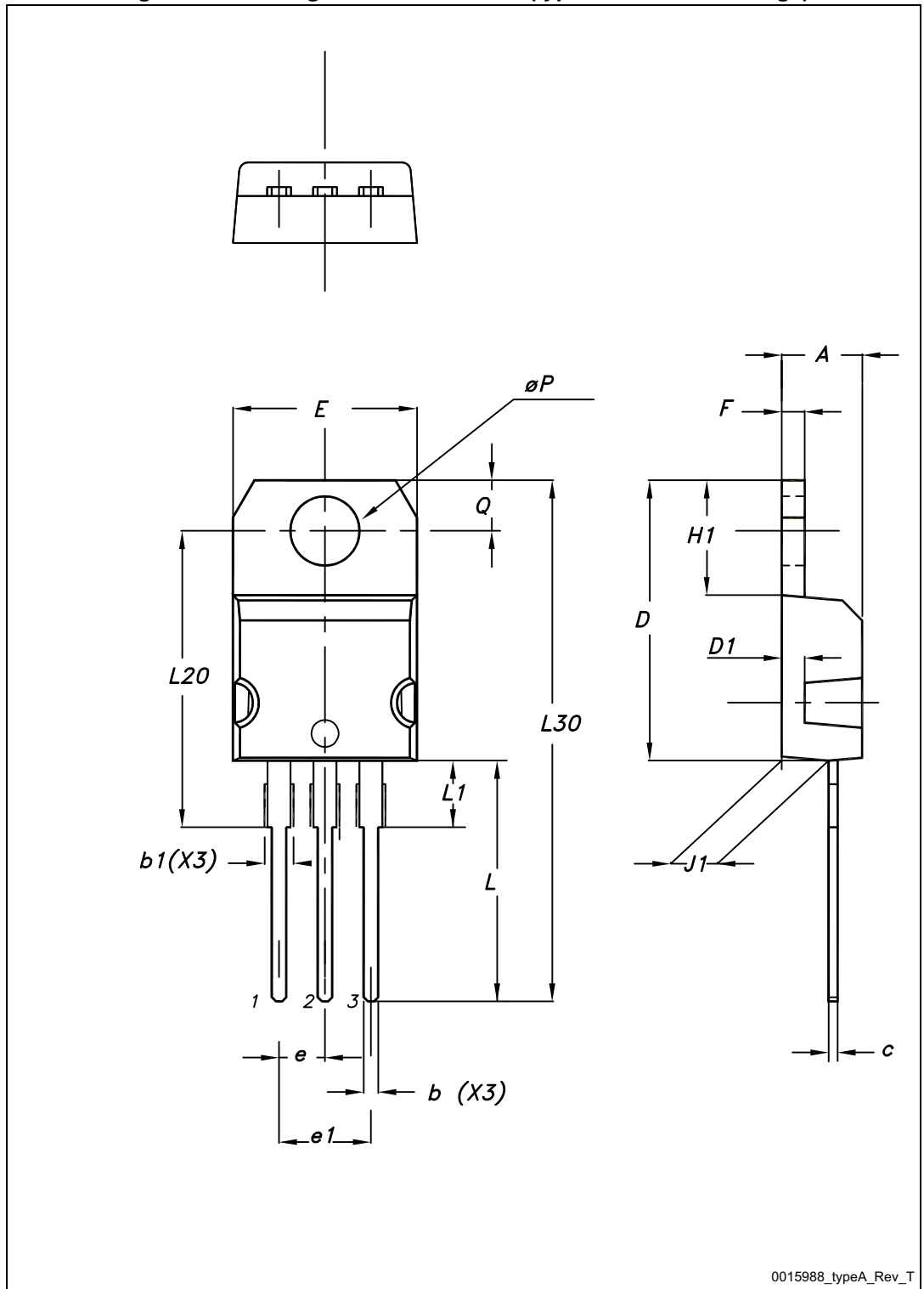


Table 16. TO-220 mechanical data (type STD-ST Single Gauge)

Dim.	mm		
	Min.	Typ.	Max.
A	4.40		4.60
b	0.61		0.88
b1	1.14		1.70
c	0.48		0.70
D	15.25		15.75
E	10		10.40
e	2.40		2.70
e1	4.95		5.15
F	0.51		0.60
H1	6.20		6.60
J1	2.40		2.72
L	13		14
L1	3.50		3.93
L20		16.40	
L30		28.90	
ØP	3.75		3.85
Q	2.65		2.95

Figure 13. Drawing dimension TO-220 (type STD-ST Single Gauge)

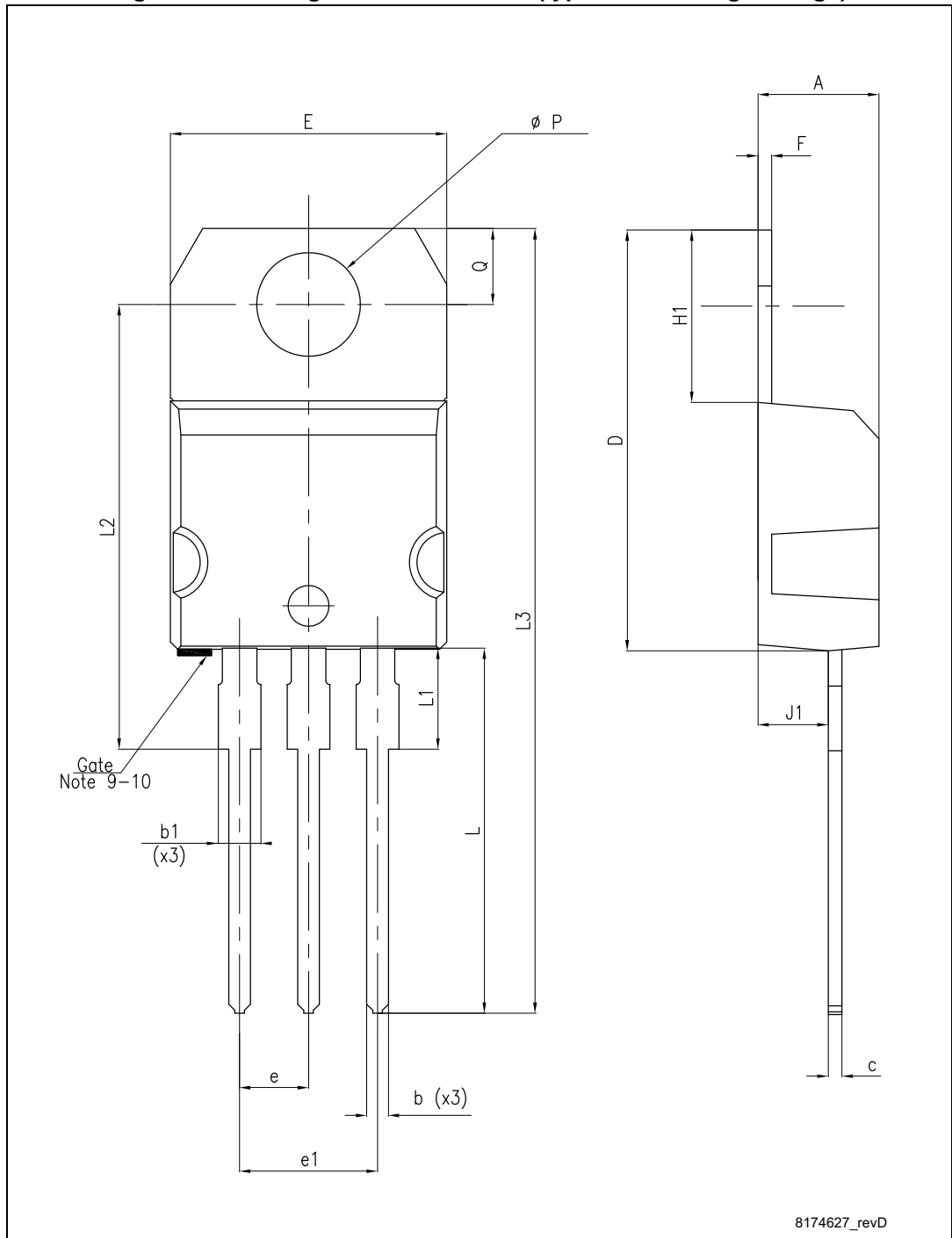


Table 17. SOT-223 mechanical data

Dim.	mm		
	Min.	Typ.	Max.
A			1.80
A1	0.02		0.1
B	0.60	0.70	0.85
B1	2.90	3.00	3.15
c	0.24	0.26	0.35
D	6.30	6.50	6.70
e		2.30	
e1		4.60	
E	3.30	3.50	3.70
H	6.70	7.00	7.30
V			10°

Figure 14. Drawing dimension SOT-223

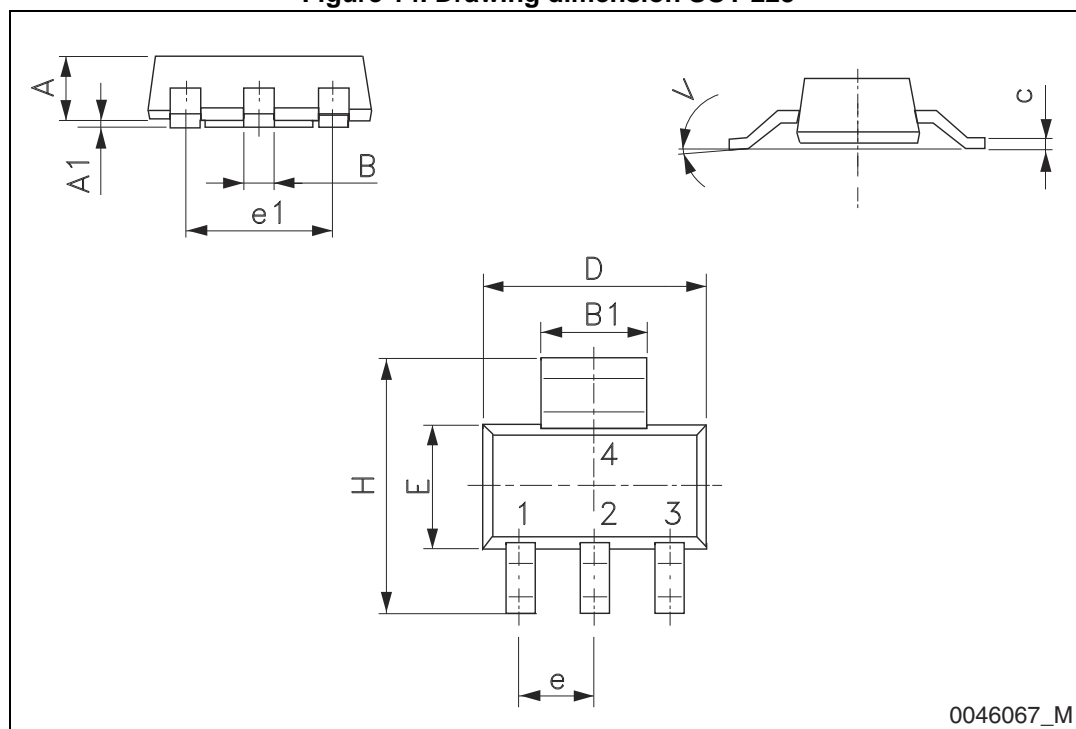


Table 18. SO-8 mechanical data

Dim.	mm		
	Min.	Typ.	Max.
A			1.75
A1	0.10		0.25
A2	1.25		
b	0.28		0.48
c	0.17		0.23
D	4.80	4.90	5.00
E	5.80	6.00	6.20
E1	3.80	3.90	4.00
e		1.27	
h	0.25		0.50
L	0.40		1.27
L1		1.04	
k	0°		8°
ccc			0.10

Figure 15. Drawing dimension SO-8

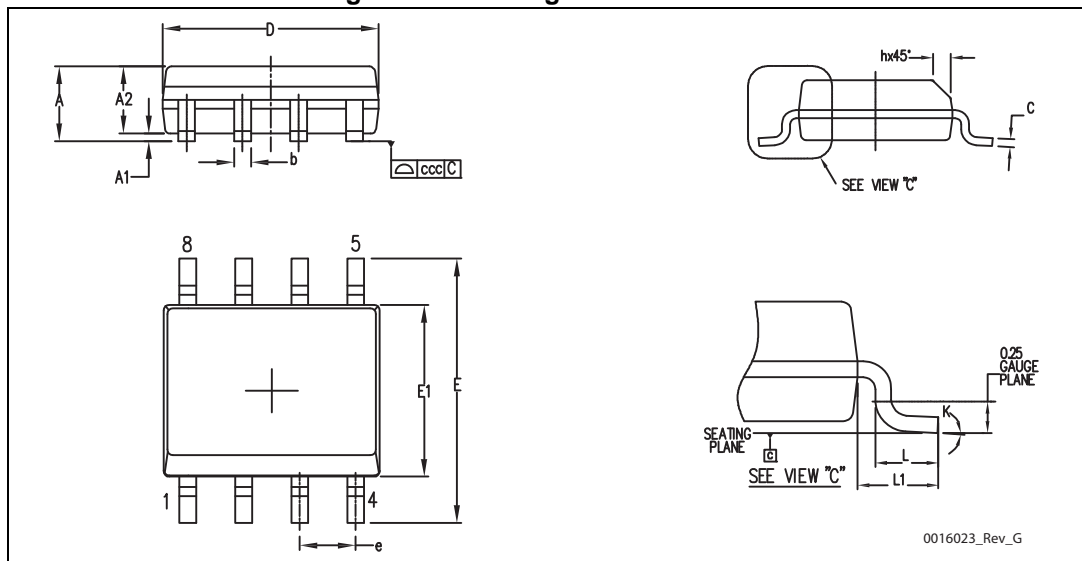


Table 19. DPAK (TO-252) mechanical data

Dim.	mm		
	Min.	Typ.	Max.
A	2.18		2.40
A1	0.90		1.10
A2	0.03		0.23
b	0.64		0.90
b4	4.95		5.46
c	0.46		0.61
c2	0.46		0.60
D	5.97		6.22
E	6.35		6.73
e		2.286	
e1		4.572	
H	9.35		10.40
L	1.00		1.78
L2			1.27
L4	0.60		1.02
V2	0°		8°

Figure 16. DPAK (TO-252) package outline A

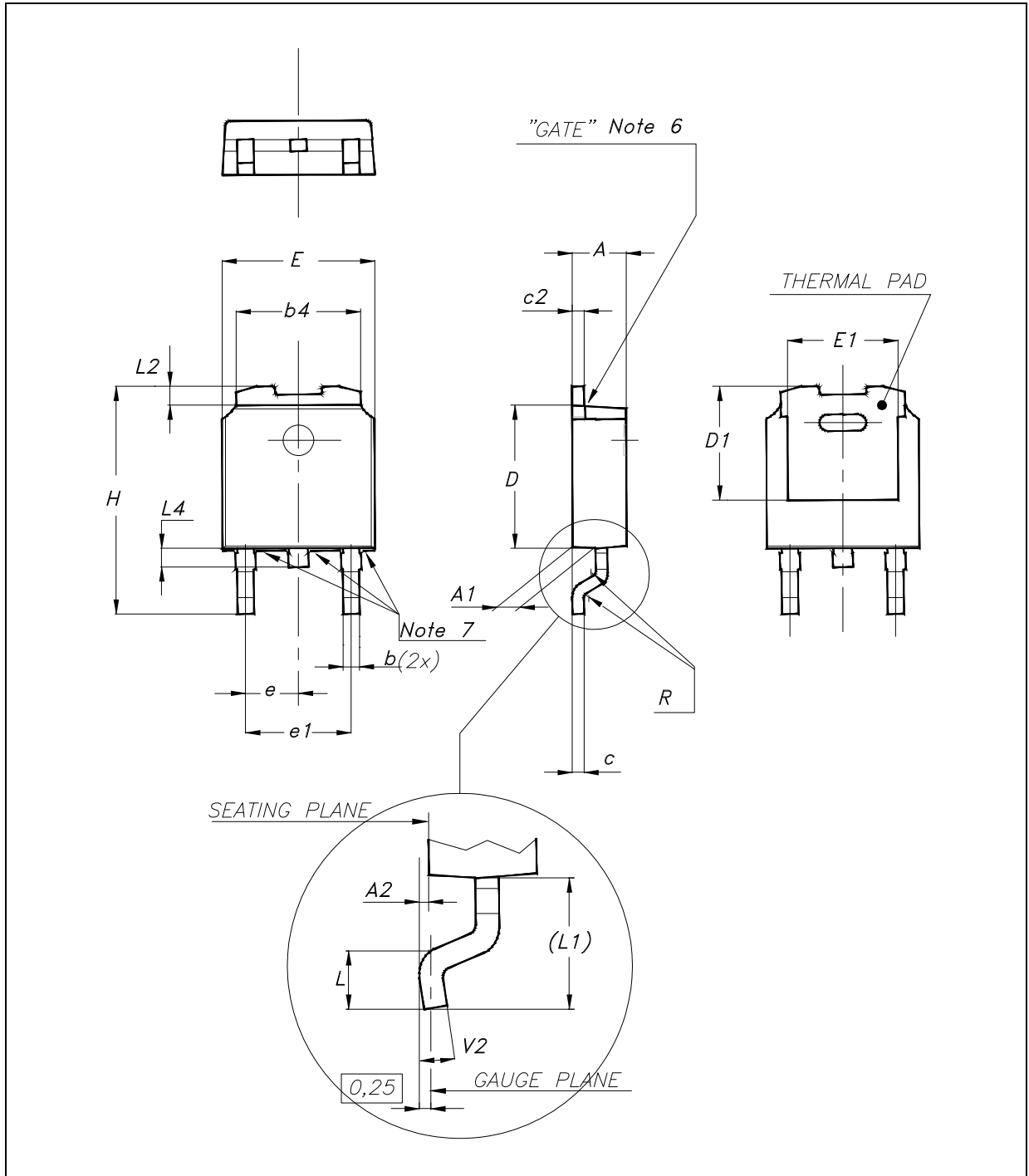




Figure 17. DPAK (TO-252) package outline E

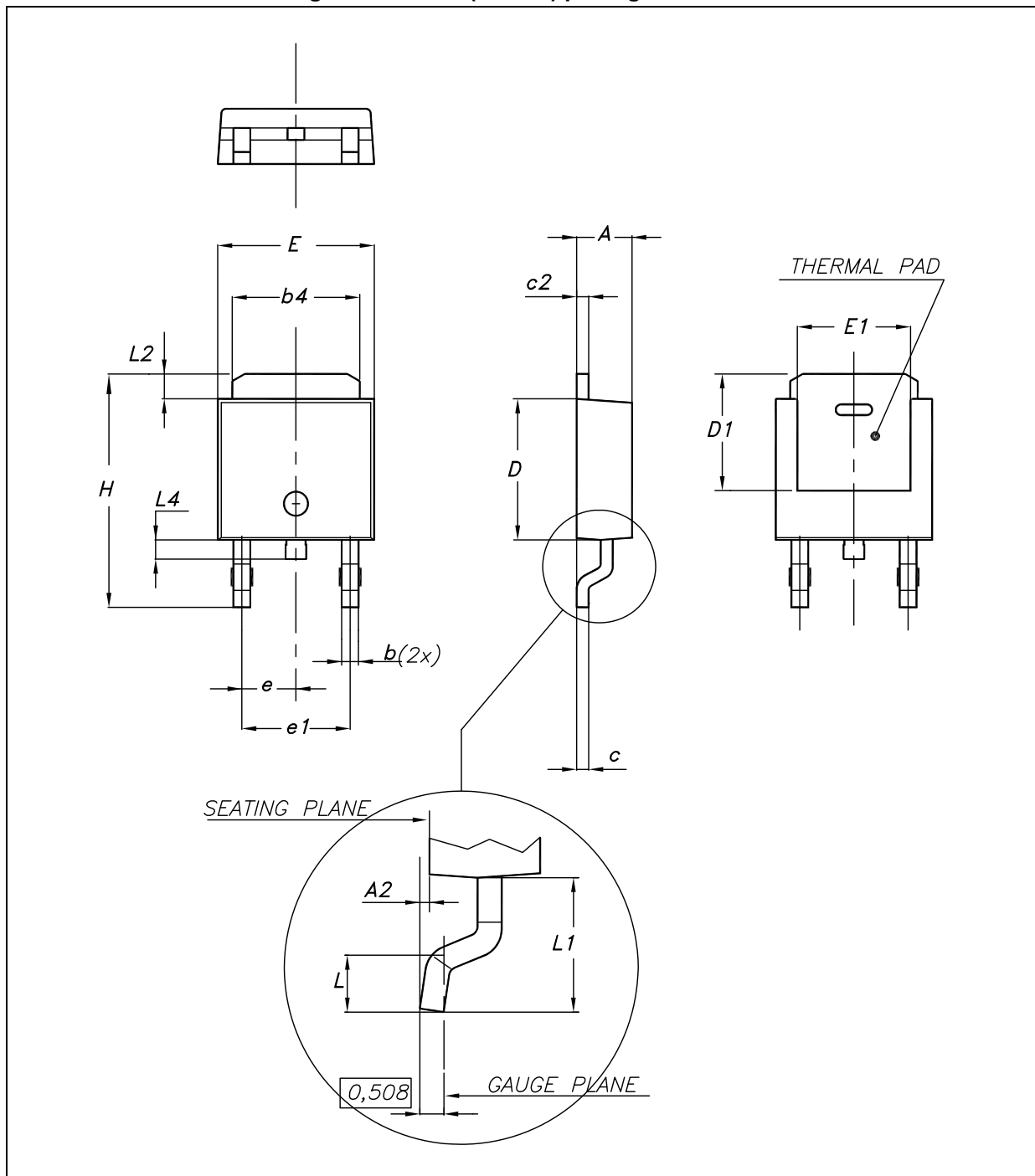


Figure 18. DPAK (TO-252) package outline I

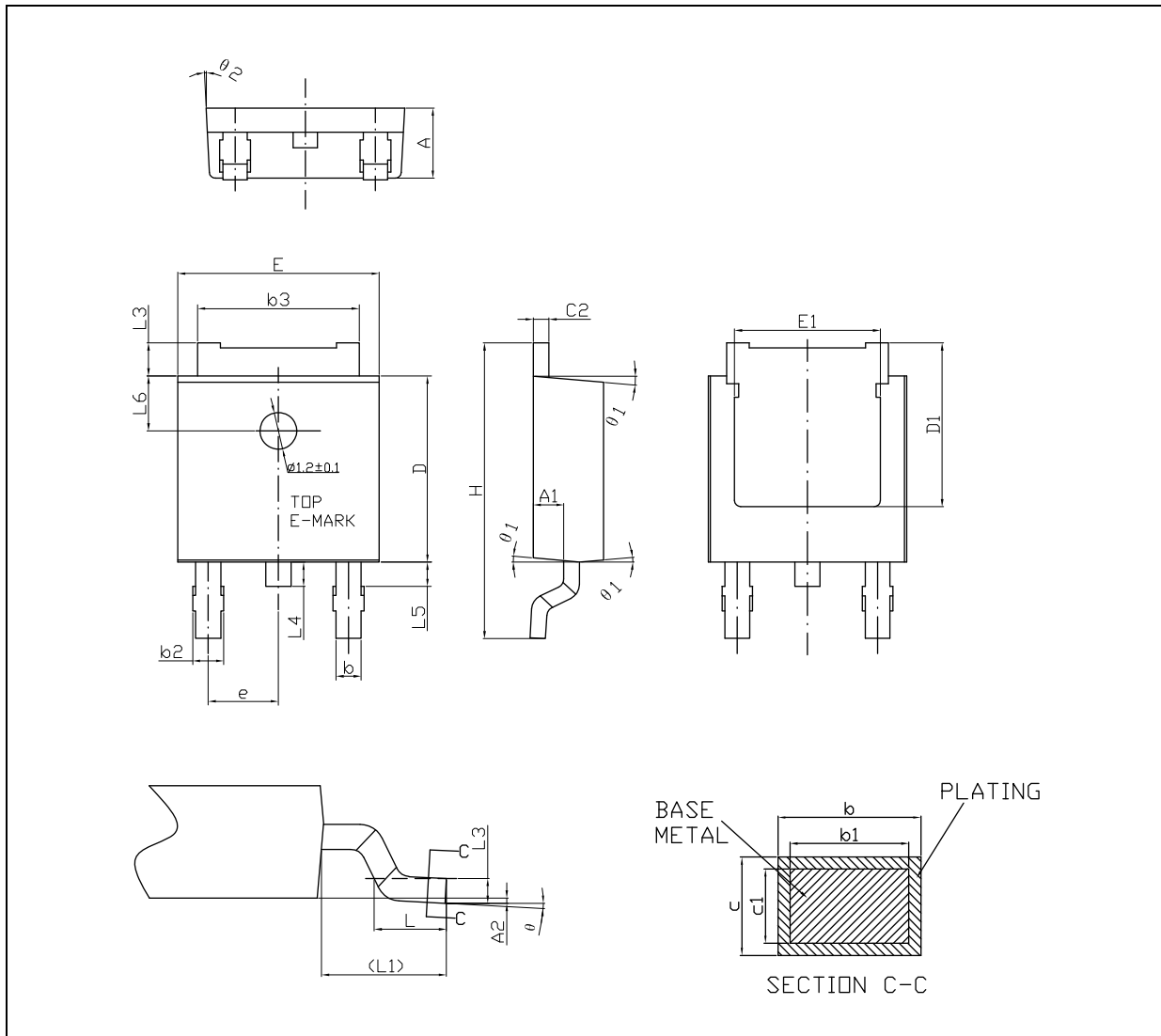


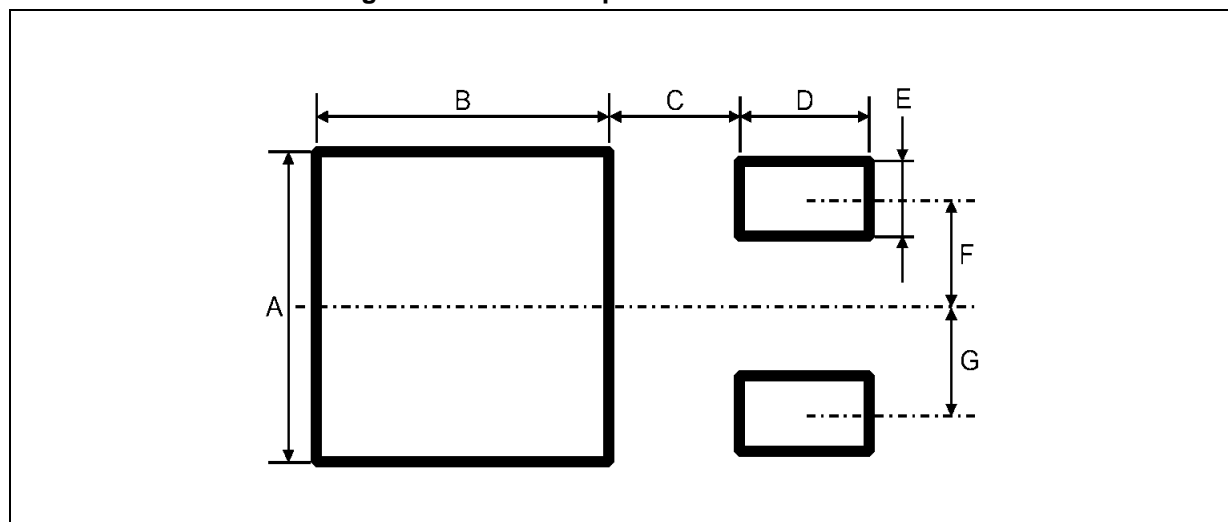
Table 20. DPAK (TO-252) mechanical data type I

Dim.	mm		
	Min.	Typ.	Max.
A	2.20	2.30	2.38
A1	0.90	1.01	1.10
A2	0.00	-	0.10
b	0.77	-	0.89
b1	0.76	0.81	0.86
b2	0.77	-	1.10
b3	5.23	5.33	5.43
c	0.47	-	0.60
c1	0.46	0.51	0.56
c2	0.47	-	0.60
D	6.00	6.10	6.20
D1	5.25	5.40	5.60
E	6.50	6.60	6.70
E1	4.70	4.85	5.00
e	2.286 BSC		
H	9.80	10.10	10.40
L	1.40	1.50	1.70
L1	2.90 REF		
L2	0.90	-	1.25
L3	0.51 BSC		
L4	0.60	0.80	1.00
L5	0.90	-	1.50
L6	1.80 BSC		
Θ	0°	-	8°
Θ 1	3°	5°	7°
Θ 2	1°	3°	5°

Table 21. Footprint data

	Values	
	mm.	inch.
A	6.70	0.264
B	6.70	0.64
C	1.8	0.070
D	3.0	0.118
E	1.60	0.063
F	2.30	0.091
G	2.30	0.091

Figure 19. DPAK footprint recommended data



# 9 Packaging mechanical data

Figure 20. Drawing dimension tube for TO-220 Dual Gauge (mm.)

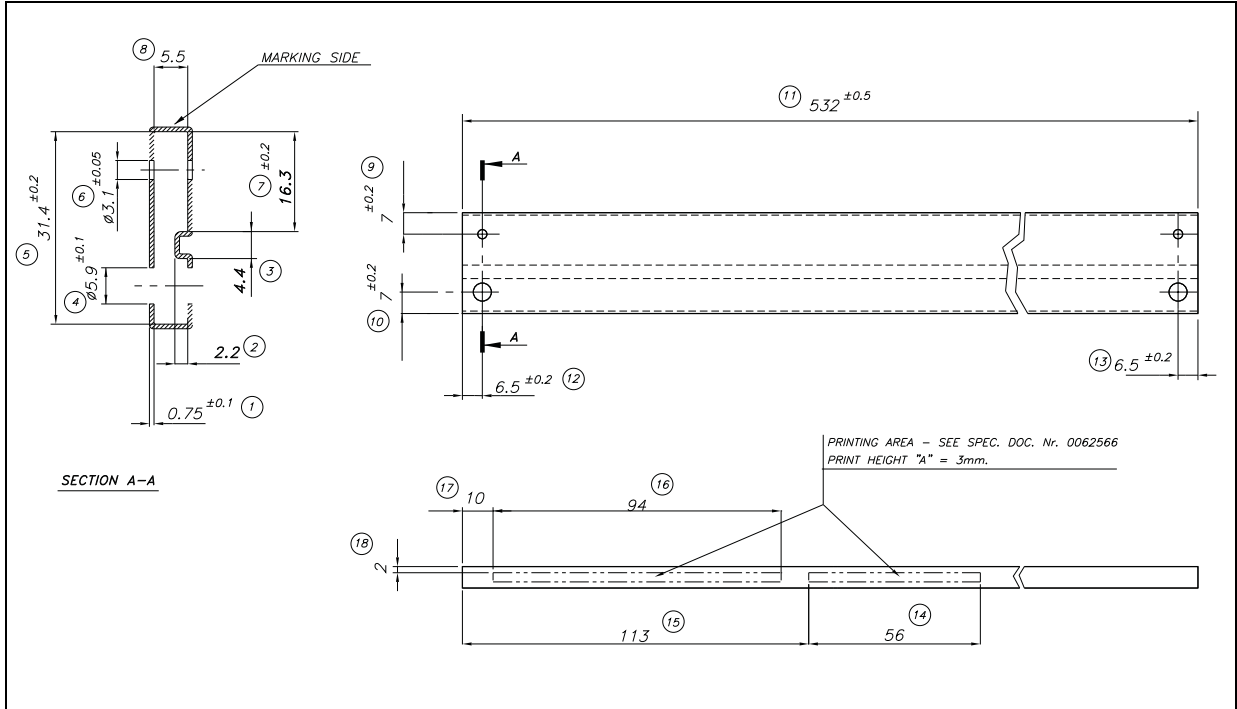


Figure 21. Drawing dimension tube for TO-220 Single Gauge (mm.)

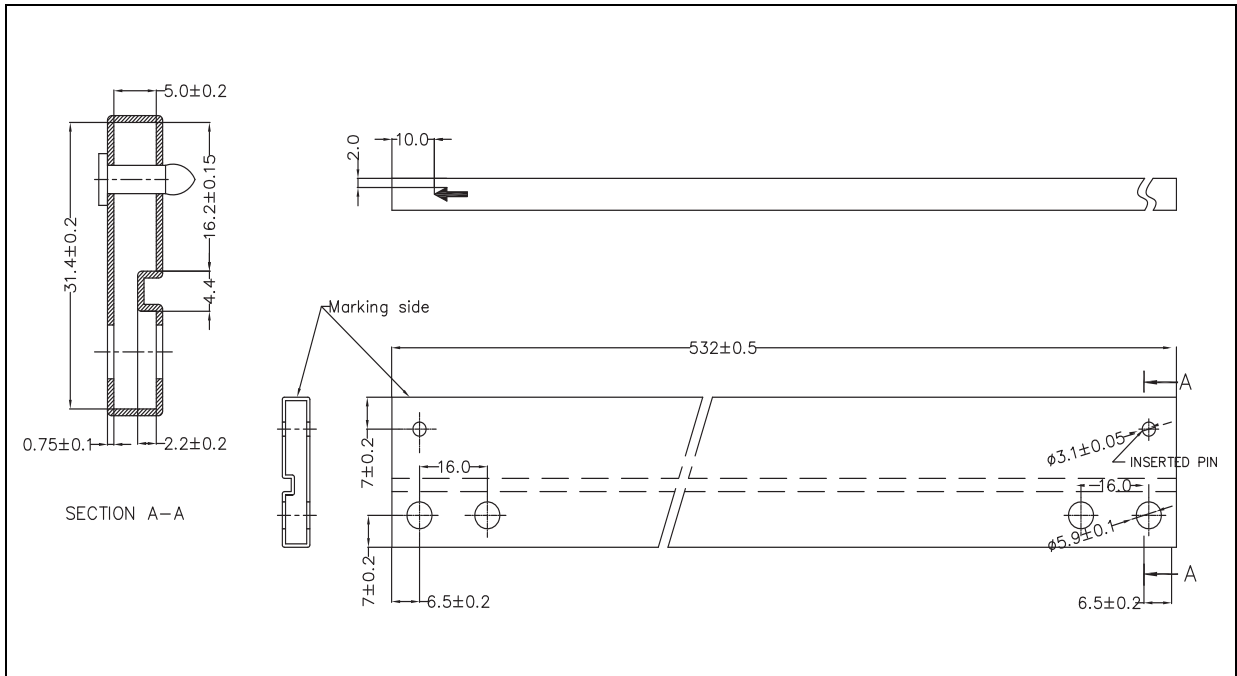


Table 22. SOT-223 tape and reel mechanical data

Tape				Reel		
Dim.	mm			Dim.	mm	
	Min.	Typ.	Max.		Min.	Max.
A0	6.75	6.85	6.95	A		180
B0	7.30	7.40	7.50	N	60	
K0	1.80	1.90	2.00	W1		12.4
F	5.40	5.50	5.60	W2		18.4
E	1.65	1.75	1.85	W3	11.9	15.4
W	11.7	12	12.3			
P2	1.90	2	2.10	Base quantity pcs	1000	
P0	3.90	4	4.10	Bulk quantity pcs	1000	
P1	7.90	8	8.10			
T	0.25	0.30	0.35			
Dφ	1.50	1.55	1.60			
D1φ	1.50	1.60	1.70			

Figure 22. Tape for SOT-223 (dimensions are in mm)

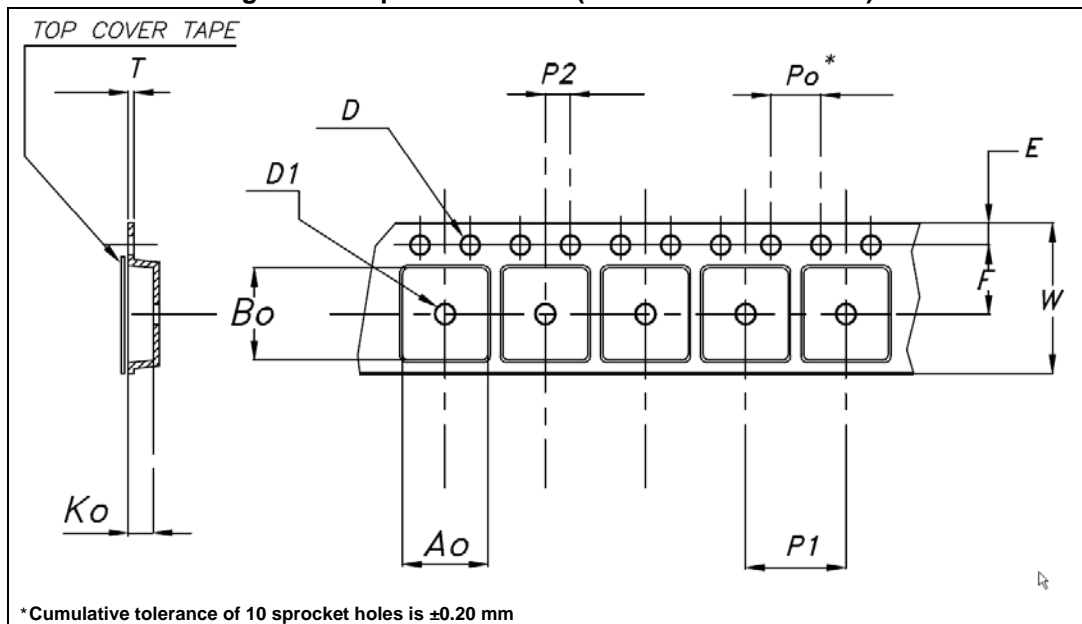


Figure 23. Reel for SOT-223 (dimensions are in mm)

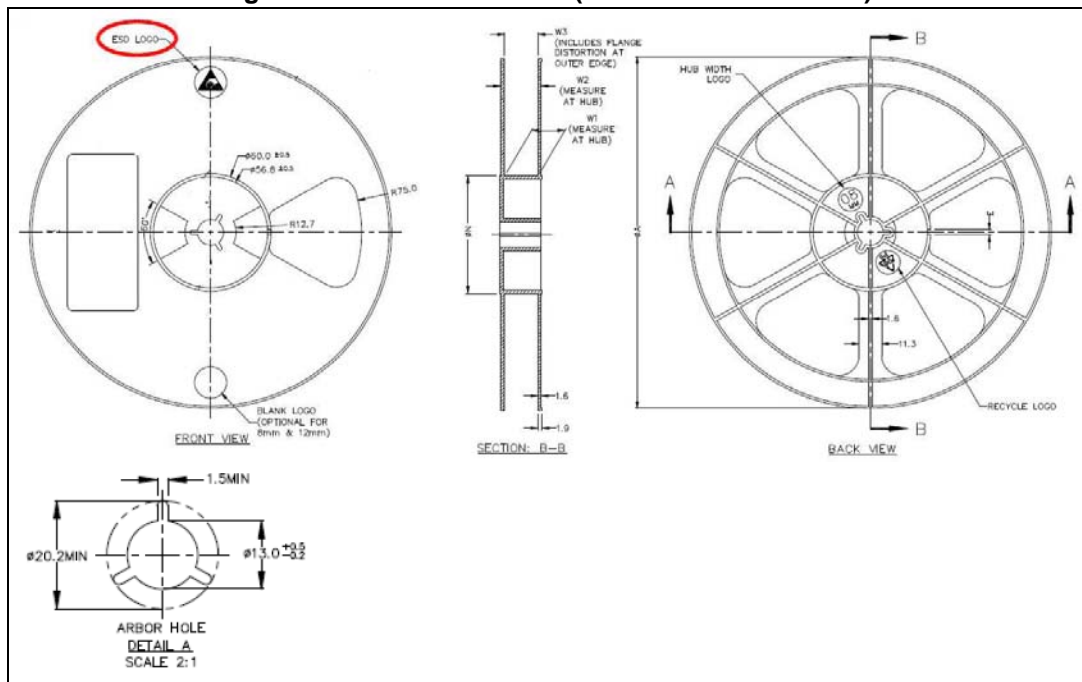


Table 23. SO-8 tape and reel mechanical data

Dim.	mm		
	Min.	Typ.	Max.
A			330
C	12.8		13.2
D	20.2		
N	60		
T			22.4
Ao	8.1		8.5
Bo	5.5		5.9
Ko	2.1		2.3
Po	3.9		4.1
P	7.9		8.1

Figure 24. SO-8 tape and reel dimensions

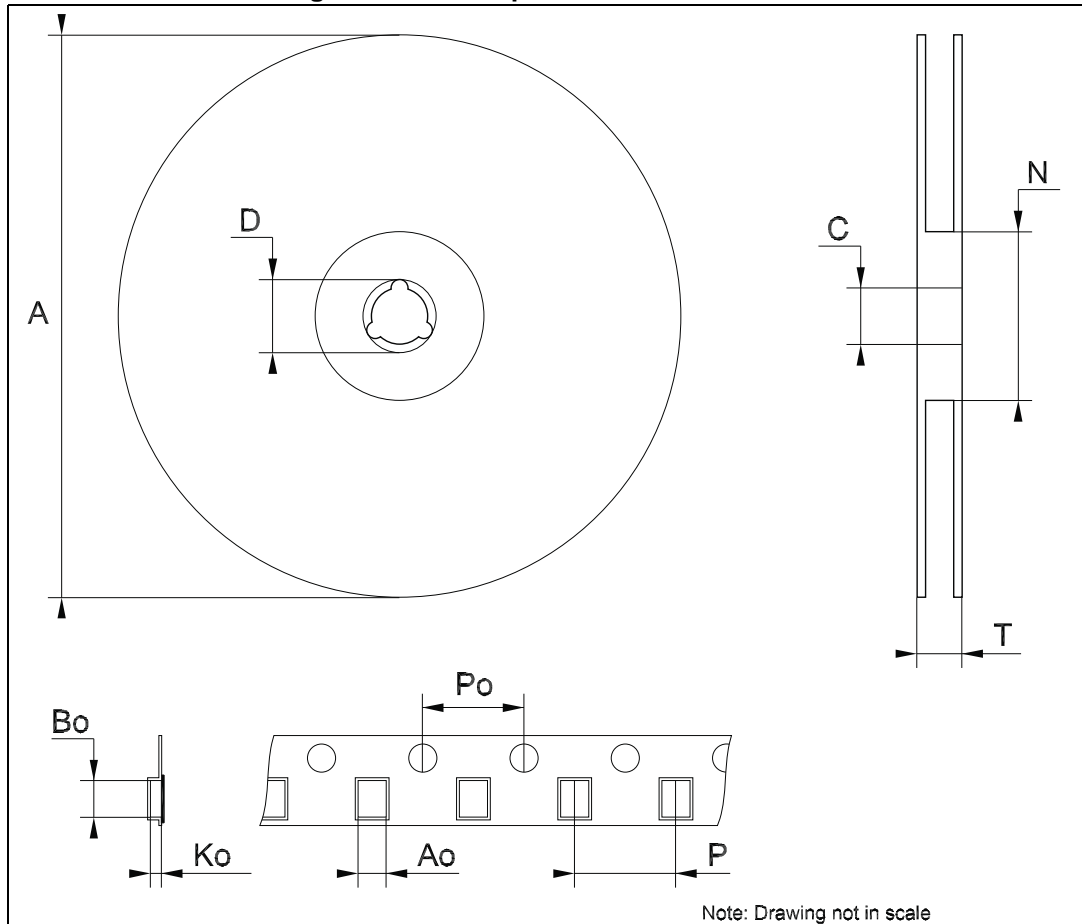




Table 24. DPAK tape and reel mechanical data

Tape			Reel		
Dim.	mm		Dim.	mm	
	Min.	Max.		Min.	Max.
A0	6.8	7	A		330
B0	10.4	10.6	B	1.5	
B1		12.1	C	12.8	13.2
D	1.5	1.6	D	20.2	
D1	1.5		G	16.4	18.4
E	1.65	1.85	N	50	
F	7.4	7.6	T		22.4
K0	2.55	2.75			
P0	3.9	4.1	Base qty.		2500
P1	7.9	8.1	Bulk qty.		2500
P2	1.9	2.1			
R	40				
T	0.25	0.35			
W	15.7	16.3			

Figure 25. Tape for DPAK

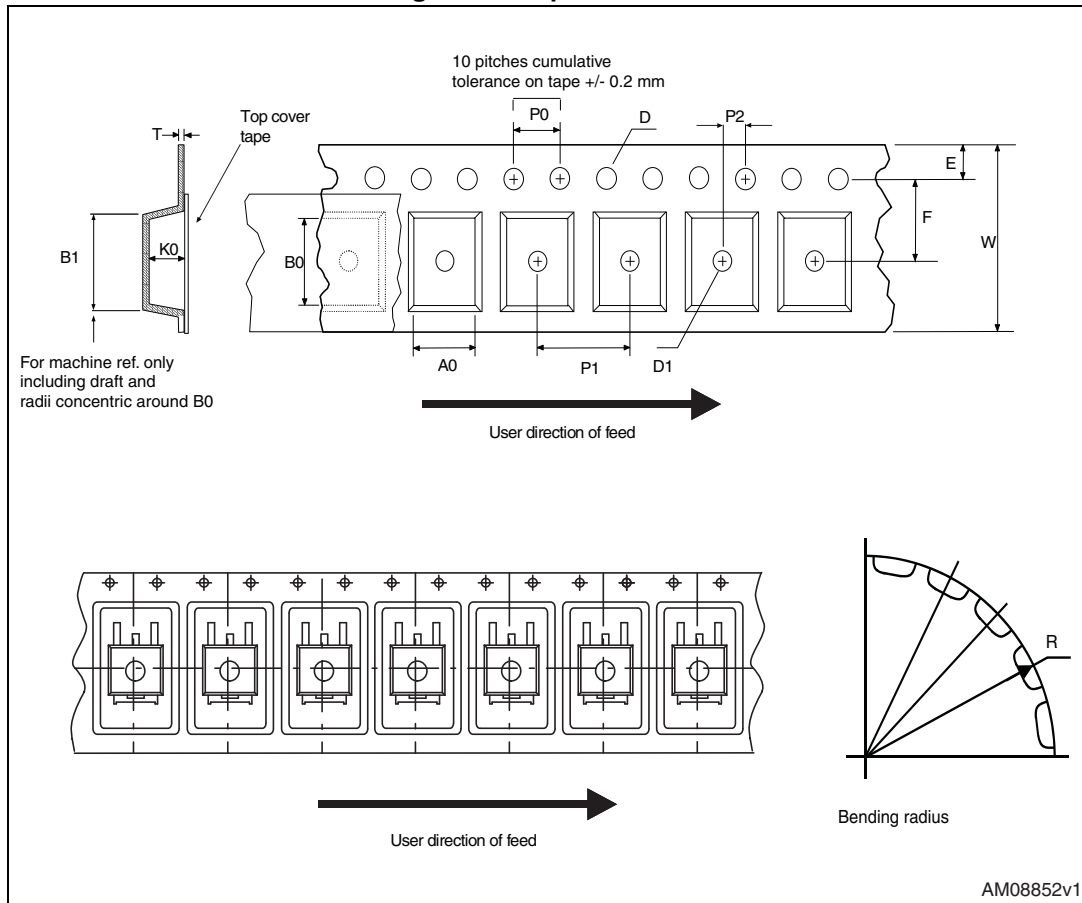
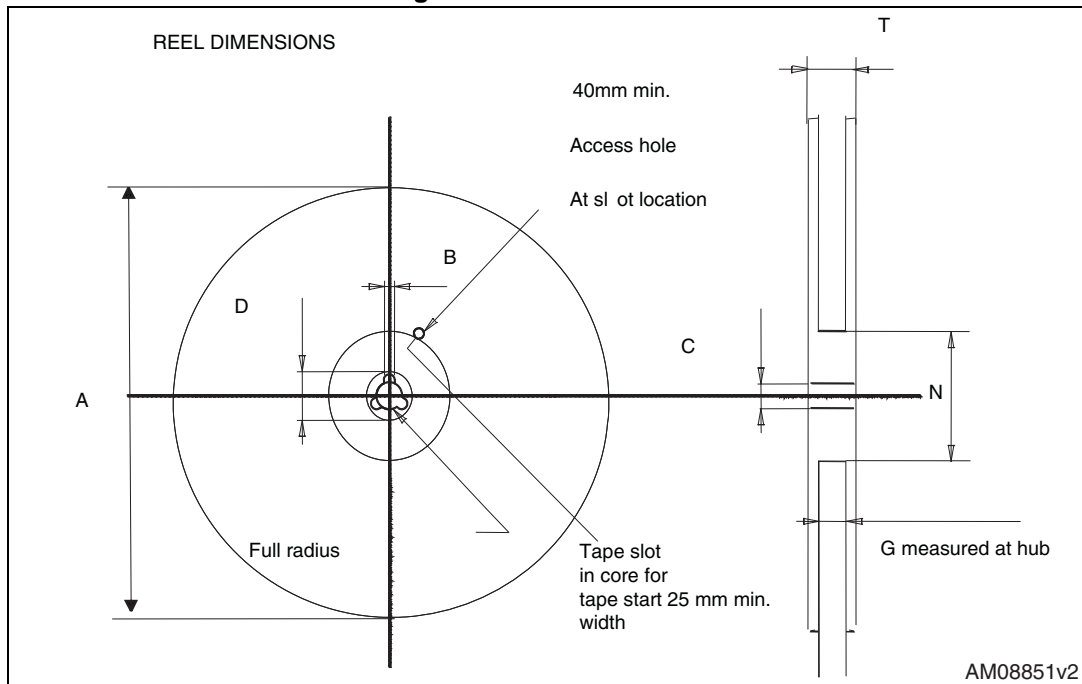


Figure 26. Reel for DPAK



## 10 Order codes

Table 25. Order codes

Packages					
SOT-223	SO-8	DPAK (Tape and reel)	TO-220	TO-220 (Dual Gauge)	Output voltages
LD1117S12TR		LD1117DT12TR			1.2 V
LD1117S12CTR		LD1117DT12CTR			1.2 V
LD1117S18TR		LD1117DT18TR	LD1117V18		1.8 V
LD1117S18CTR		LD1117DT18CTR			1.8 V
LD1117S25TR		LD1117DT25TR			2.5 V
LD1117S25CTR		LD1117DT25CTR			2.5 V
LD1117S33TR	LD1117D33TR	LD1117DT33TR	LD1117V33	LD1117V33-DG	3.3 V
				LD1117V33C-DG	3.3 V
LD1117S33CTR	LD1117D33CTR	LD1117DT33CTR	LD1117V33C		3.3 V
LD1117S50TR		LD1117DT50TR	LD1117V50	LD1117V50-DG	5 V
					5 V
LD1117S50CTR		LD1117DT50CTR	LD1117V50C		5 V
LD1117STR		LD1117DTTR	LD1117V	LD1117V-DG	ADJ from 1.25 to 15 V
					ADJ from 1.25 to 15 V
LD1117SC-R		LD1117DTC-R			ADJ from 1.25 to 15 V

# 11 Revision history

**Table 26. Document revision history**

Date	Revision	Changes
22-Sep-2004	15	Add new part number #12C; typing error: note on table 2.
25-Oct-2004	16	Add $V_{ref}$ reference voltage on table 12.
18-Jul-2005	17	The DPAK mechanical data updated.
25-Nov-2005	18	The TO220FM package removed.
14-Dec-2005	19	The $T_{op}$ on table 2 updated.
06-Dec-2006	20	DPAK mechanical data updated and added footprint data.
05-Apr-2007	21	Order codes updated.
30-Nov-2007	22	Added Table 1.
16-Apr-2008	23	Modified: Table 24 on page 42.
08-Jul-2008	24	Added note 1. on page 7.
30-Mar-2009	25	Modified: $V_{IN}$ max value Table 4 on page 10 and Figure 9 on page 23
29-Jul-2009	26	Modified: Table 24 on page 42.
03-Feb-2010	27	Modified Table 9 on page 15.
22-Mar-2010	28	Added: Table 16 on page 22, Figure 13 on page 23, Figure 14 on page 24, Figure 17 and Figure 18 on page 33
15-Nov-2010	29	Modified: $R_{thJC}$ value for TO-220 Table 2 on page 7.
30-Nov-2011	30	Added: order code LD1117V33-DG Table 24 on page 42.
13-Feb-2012	31	Added: order codes LD1117V50-DG and LD1117V-DG Table 24 on page 42.
19-Oct-2012	32	Added: $R_{thJA}$ value for DPAK, SOT-223 and SO-8 Table 2 on page 7.
20-Nov-2013	33	Part number LD1117xx changed to LD1117. Updated the Description in cover page, Section 8: Package mechanical data and Table 24: Order codes. Cancelled Table 1: Device summary. Added Section 9: Packaging mechanical data. Minor text changes.
12-Jun-2019	34	Updated Table 19, Table 20, Figure 16, Figure 17 and Figure 18.
16-Oct-2019	35	Updated <a href="#">Figure 2: Pin connections (top view)</a> .

**IMPORTANT NOTICE – PLEASE READ CAREFULLY**

STMicroelectronics NV and its subsidiaries (“ST”) reserve the right to make changes, corrections, enhancements, modifications, and improvements to ST products and/or to this document at any time without notice. Purchasers should obtain the latest relevant information on ST products before placing orders. ST products are sold pursuant to ST’s terms and conditions of sale in place at the time of order acknowledgement.

Purchasers are solely responsible for the choice, selection, and use of ST products and ST assumes no liability for application assistance or the design of Purchasers’ products.

No license, express or implied, to any intellectual property right is granted by ST herein.

Resale of ST products with provisions different from the information set forth herein shall void any warranty granted by ST for such product.

ST and the ST logo are trademarks of ST. For additional information about ST trademarks, please refer to [www.st.com/trademarks](http://www.st.com/trademarks). All other product or service names are the property of their respective owners.

Information in this document supersedes and replaces information previously supplied in any prior versions of this document.

© 2019 STMicroelectronics – All rights reserved